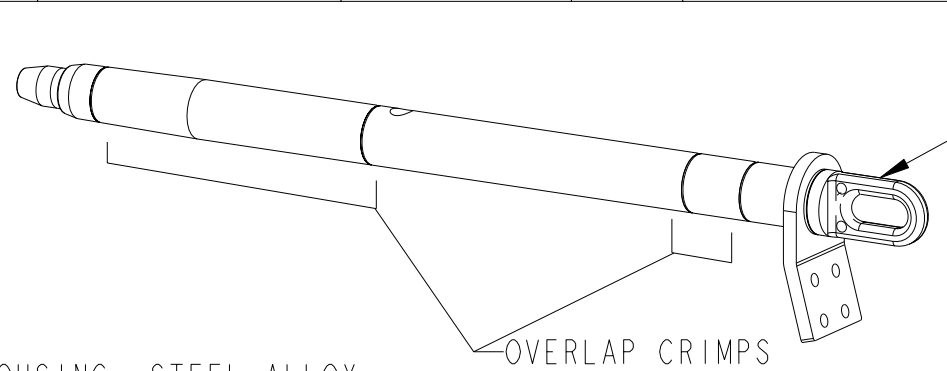
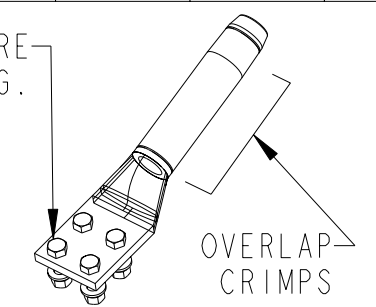


BURNDY® PRODUCTS - FULL TENSION ACCC® DEADEND KITS

DEADEND KIT (W/ALUM. HARDWARE)			ACCOMMODATES ACCC® CONDUCTOR	KIT CONTAINS (REFERENCE SALES DWG)					INSTALLATION TOOLING (NOT INCLUDED)													
ITEM NUMBER	CATALOG NUMBER	FIG NO.	CODE WORD	SIZE (kcmil)	DEADEND CONNECTOR (QTY. 1)		TERMINAL WITH HARDWARE (ALUM.)			DEADEND ASSY.		TOOLS, DIE SETS FOR TERMINAL										
					CATALOG NO.	SALES DWG.	QTY.	CATALOG NO.	SALES DWG.	DIE SET	TOOL	DIE INDEX	Y45	Y46	Y60							
10093333	YTW32RE15ACCC4	1	LINNET	431	YTW32REACCC4	10093983	1	BYNA32RT15HACCC	10093976	L727W	Y60BHU OR Y60BHU-D HYDRAULIC HYPRESS™	717	S717	P717	L717W							
10093838	YTW32RED15ACCC4	2			YTW32REDACCC4		2															
50018168	YTW320RE15ACCC4	1	ORIOLE	438	YTW320REACCC4		1									BYNA32RT15HACCC	1	L727W	720	S720	P720	L720W
10093334	YTW36RE15ACCC4	1	HAWK	611	YTW36REACCC4		1									BYNA36RT15HACCC	1	L727W	722	S722	P722	L722W
10093839	YTW36RED15ACCC4	2			YTW36REDACCC4		2															
10093335	YTW39RE15ACCC4	1	DOVE	713	YTW39REACCC4		1									BYNA39RT15HACCC	1	L727W	724	S724	P724	L724W
10093840	YTW39RED15ACCC4	2			YTW39REDACCC4		2															
10093336	YTW43RE15ACCC4	1	GROSBEAK	816	YTW43REACCC4		1									BYNA43RT15HACCC	1	L727W	725	S725	P725	L725W
10093841	YTW43RED15ACCC4	2			YTW43REDACCC4		2															
10104336	YTW451RE15ACCC4	1	DRAKE	1020	YTW451REACCC4		1									BYNA451RT15HACCC	1	L735W	727	--	--	L727W
10093847	YTW451RED15ACCC4	2			YTW451REDACCC4	2																
10093830	YTW48RE15ACCC4	1	CARDINAL	1222	YTW48REACCC4	1	BYNA49RT15HACCC	1	L735W	728	--	--	L728W									
10093848	YTW48RED15ACCC4	2			YTW48REDACCC4	2																
10103105	YTW52RE15ACCC4	1	BITTERN	1572	YTW52REACCC4	1	BYNA52RT15HACCC	1	L735W													
10103106	YTW52RED15ACCC4	2			YTW52REDACCC4	2																



TERMINAL WITH HARDWARE
SEE SALES DWG.



NOTES:

- MATERIAL
 - CONNECTOR EYEBOLT, COLLET, AND COLLET HOUSING, STEEL ALLOY
 - CONNECTOR TUBE ASSEMBLY, INNER SLEEVE, AND TERMINAL, ALUMINUM ALLOY, NO-OX-ID COATED
 - HARDWARE BOLTS, FLAT WASHERS AND NUTS, ALUMINUM ALLOY
 - RESILIENT WASHERS, GALVANIZED STEEL
 - 4 oz BOTTLE OF PENETROX™ HT, RUBBER GASKET
- RECOMMENDED TIGHTENING TORQUE:
ALUMINUM HARDWARE: 1/2-13 300 LBS-IN. [34 NM]
- DESIGNED FOR CORONA FREE OPERATION TO 230 KV FOR CORONA FREE OPERATION ABOVE 230 KV UP TO 550 KV SHIELDING CAPS. ARE REQUIRED - CONTACT FACTORY.

REFERENCE:
10092622, INSTALLATION INSTRUCTION FOR TERMINAL
10102398, INSTALLATION INSTRUCTION FOR DEAD END

(ACCC®) ALUMINUM CONDUCTOR COMPOSITE CORE

TO ORDER BURNDY® PRODUCTS CALL		FULL TENSION, ACCC® DEADEND KITS																											
UNITED STATES: 1-800-346-4175 (LONDONDERRY, NH)		ITEM NO: SEE TABLE																											
CANADA: 1-800-361-6975 (QUEBEC) 1-800-387-6487 (ALL OTHER PROVINCES)		CAT. NO: SEE TABLE																											
FOR PRODUCT INFO: http://www.burndy.com		<table border="1"> <tr> <td>DRAWN BY: V ANAND</td> <td>11/09/08</td> <td rowspan="6">BURNDY</td> <td rowspan="6">SCALE: 1:8</td> </tr> <tr> <td>CHECKER: P WALTZ</td> <td>03/19/2009</td> </tr> <tr> <td>DSN APPVL: P WALTZ</td> <td>03/19/09</td> </tr> <tr> <td>MFG APPVL: --</td> <td>--</td> </tr> <tr> <td>QA APPVL: J BRODEUR</td> <td>03/30/09</td> </tr> <tr> <td>MKT APPVL: D HAMILTON</td> <td>03/20/09</td> </tr> <tr> <td>PROJECT #: --</td> <td>SIZE</td> <td>DRAWING NO</td> <td>REV</td> </tr> <tr> <td>DOCUMENT TYPE: Sales</td> <td>B</td> <td>10093984</td> <td>F</td> </tr> <tr> <td>REL LEVEL: Released</td> <td></td> <td>SHEET 1 OF 1</td> <td></td> </tr> </table>		DRAWN BY: V ANAND	11/09/08	BURNDY	SCALE: 1:8	CHECKER: P WALTZ	03/19/2009	DSN APPVL: P WALTZ	03/19/09	MFG APPVL: --	--	QA APPVL: J BRODEUR	03/30/09	MKT APPVL: D HAMILTON	03/20/09	PROJECT #: --	SIZE	DRAWING NO	REV	DOCUMENT TYPE: Sales	B	10093984	F	REL LEVEL: Released		SHEET 1 OF 1	
DRAWN BY: V ANAND	11/09/08	BURNDY	SCALE: 1:8																										
CHECKER: P WALTZ	03/19/2009																												
DSN APPVL: P WALTZ	03/19/09																												
MFG APPVL: --	--																												
QA APPVL: J BRODEUR	03/30/09																												
MKT APPVL: D HAMILTON	03/20/09																												
PROJECT #: --	SIZE	DRAWING NO	REV																										
DOCUMENT TYPE: Sales	B	10093984	F																										
REL LEVEL: Released		SHEET 1 OF 1																											

REV: PE0200