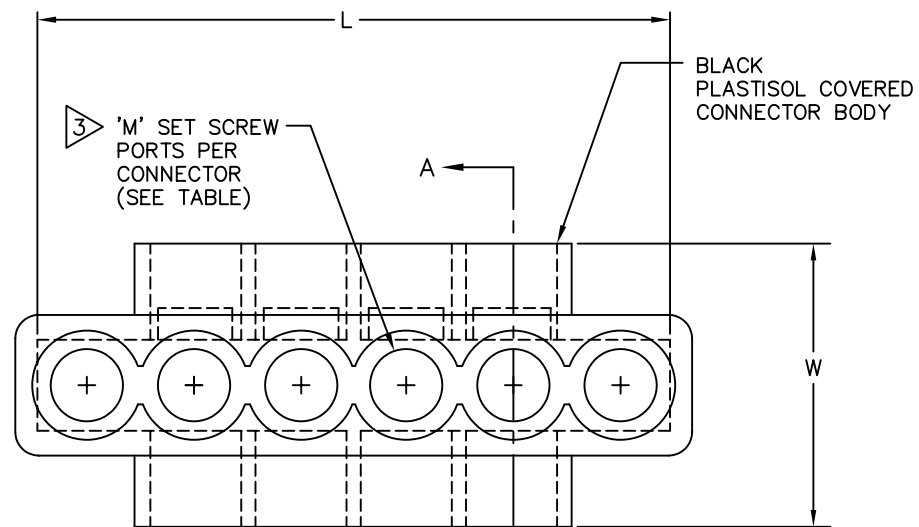


DRAWING NO.

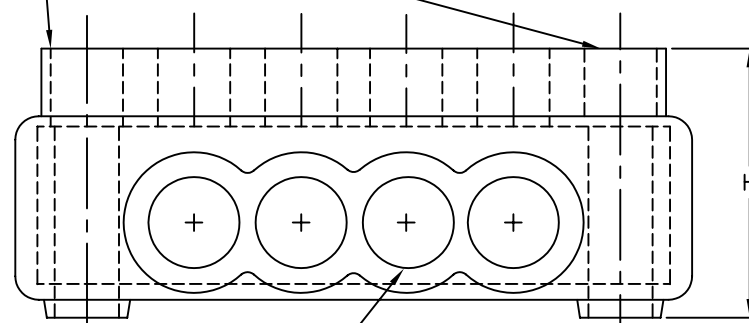
10094934

CATALOG NO.	ITEM NO.	WIRE RANGE (AWG/kcmil)	L	W	H	HEX KEY	M	N
1PLMD600-4	10011673	#4-600	7.80 [198]	3.00 [76]	2.75 [70]	3/8	6	4
1PLMD600-6	10011674	#4-600	10.35 [263]	3.00 [76]	2.75 [70]	3/8	8	6
1PLMD600-8	10011675	#4-600	12.91 [328]	3.00 [76]	2.75 [70]	3/8	10	8
1PLMD600-10	10011671	#4-600	15.47 [393]	3.00 [76]	2.75 [70]	3/8	12	10
1PLMD600-12	10011672	#4-600	18.04 [458]	3.00 [76]	2.75 [70]	3/8	14	12

REV.	DATE	DESCRIPTION	ECO	BY	C'K'D.
A	12/22/08	DRAWING RELEASED	17061	RB	JP



SCREW PORT FOR MOUNTING



'N' WIRE PORTS PER CONNECTOR (SEE TABLE)

FEATURES	BENEFITS
PLASTISOL COVERED AL6061-T6 BODY	SAVES TIME, LOWERS INSTALLATION COSTS, ELIMINATES TAPING.
OXIDE-INHIBITOR IS PRE-INSTALLED	INHIBITS MOISTURE AND CONTAMINANTS FROM ENTERING THE CONTACT AREA
RANGE-TAKING	REDUCES THE NUMBER OF CONNECTORS CARRIED IN INVENTORY

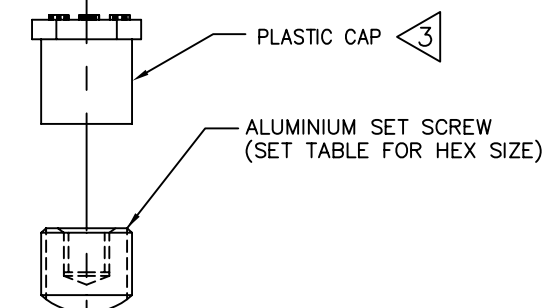
## NOTES:

- THIS DRAWING TO BE INTERPRETED PER ANSI Y14.5M.
- CONNECTORS ARE SUPPLIED INDIVIDUALLY LABELED. LABEL INFORMATION INCLUDES CATALOG NUMBER, AND BARCODE.
- END CAPS INSTALLED ON WIRE PORTS AND SET SCREW PORTS.
- ALL CONNECTORS UL LISTED, CSA CERTIFIED FOR AL9CU, 90°C APPLICATIONS, UNLESS OTHERWISE NOTED.
- DIMENSIONS IN BRACKETS [ ] ARE IN MILLIMETERS ROUNDED OFF TO THE NEAREST MILLIMETER, UNLESS OTHERWISE NOTED, AND ARE FOR REFERENCE ONLY.
- UV RATED INSULATION MATERIAL.

BLACK PLASTISOL COVERED CONNECTOR BODY



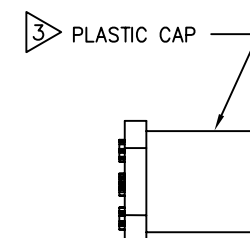
LISTED



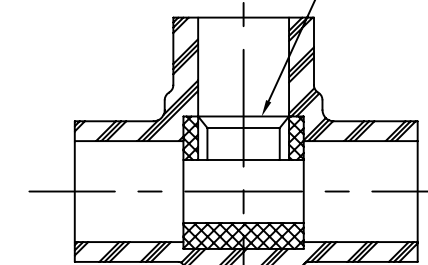
PLASTIC CAP

ALUMINIUM SET SCREW (SET TABLE FOR HEX SIZE)

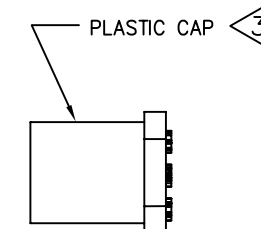
ALUMINIUM CONNECTOR BODY



PLASTIC CAP



SECTION A-A



PLASTIC CAP

TO ORDER BURNDY® PRODUCTS CALL  
 UNITED STATES:  
 1-800-346-4175 (LONDONDERRY, NH)  
 CANADA:  
 1-800-361-6975 (QUEBEC)  
 1-800-387-6487 (ALL OTHER PROVINCES)  
 FOR PRODUCT INFO: <http://www.fciconnect.com>

UNITAP™, MOUNTED BLACK

ITEM NO: SEE TABLE

CAT NO: 1PLMD600-SERIES (SEE TABLE)

SCALE:	NTS
DRAWN BY:	R. BOISVERT 12/22/08
CHECKER:	J. PARKER 12/22/08
DSN APPVL:	J. PARKER 12/15/08
MFG APPVL:	--
QC APPVL:	J. BRODEUR 12/22/08
MKT APPVL:	K. ROBICHEAU 12/15/08
PROD FAM:	--
PROJECT #:	--
DOCUMENT TYPE:	Sales
REL LEVEL:	AutoCAD

DRAWING NO	REV
10094934	A
SHEET 1 OF 1	