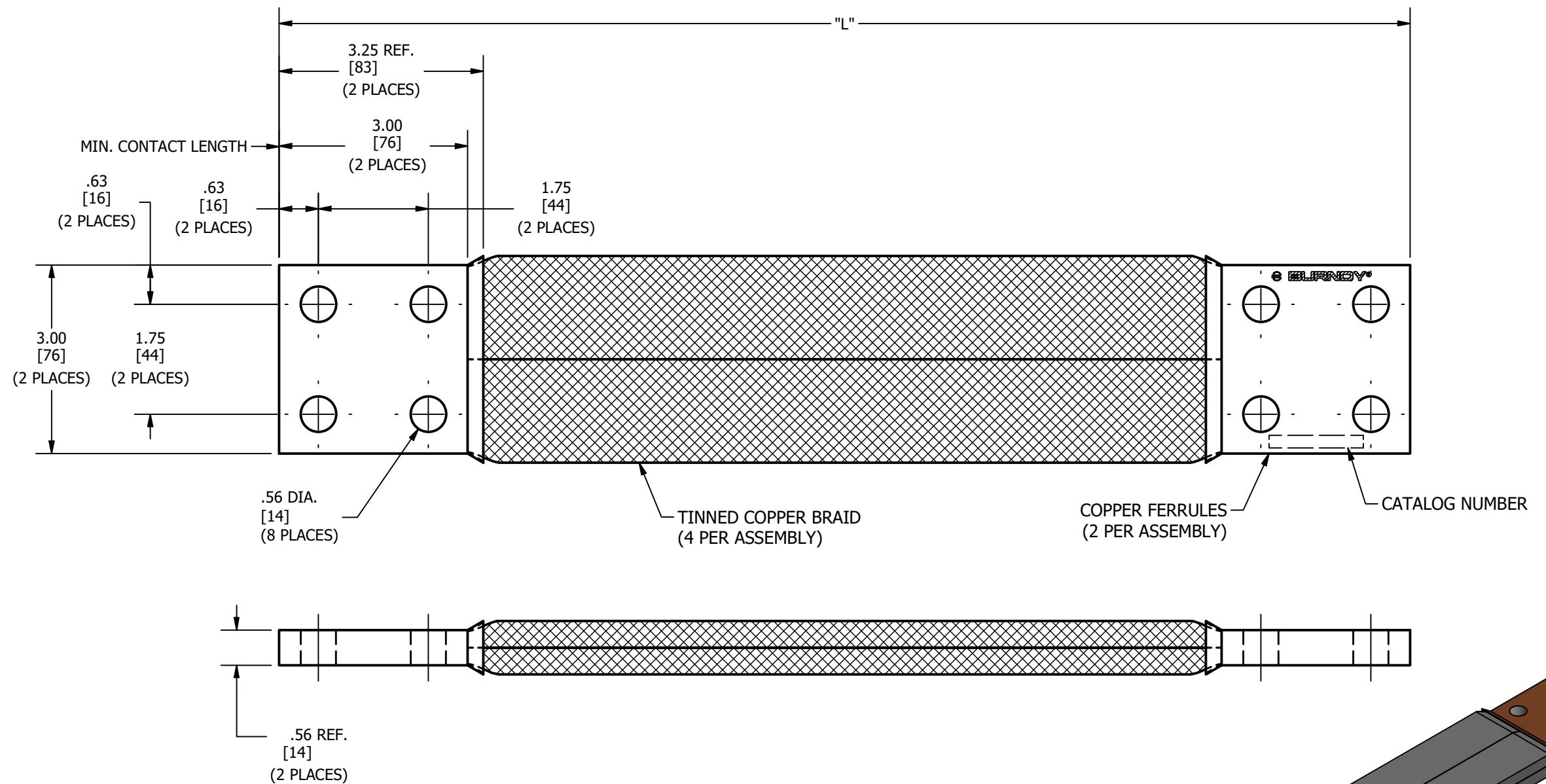


CATALOG NUMBER	LENGTH "L"
B22G144N	14 [356]
B22G154N	15 [381]
B22G164N	16 [406]
B22G184N	18 [457]
B22G244N	24 [610]
B22G264N	26 [660]
B22G284N	28 [711]
B22G304N	30 [762]
B22G314N	31 [787]
B22G324N	32 [813]
B22G364N	36 [914]
B22G484N	48 [1219]
B22G524N	52 [1321]
B22G544N	54 [1372]
B22G604N	60 [1524]

REV	DATE	DESCRIPTION	ECO	BY	C'H'K.
F	02/16/2023	CATALOG NO. B22G544N AND B22G604N ADDED	230216027935	PC	NB



NOTES:

- MATERIAL : FERRULES - COPPER
BRAID - TINNED COPPER
- DIMENSIONS IN BRACKETS [] ARE IN MILLIMETERS ROUNDED OFF TO THE NEAREST MILLIMETER, UNLESS OTHERWISE NOTED, AND ARE FOR REFERENCE ONLY.

3 CAN BE ORDERED WITH PLATED FERRULES BY ADDING SUFFIX AS SHOWN BELOW:

- "NK" - FOR NICKEL PLATING
- "SV" - FOR SILVER PLATING
- "TN" - FOR TIN PLATING
- "W" - FOR HOT TIN PLATING

4 CAN BE ORDERED WITH UNDRILLED FERRULES BY ADDING SUFFIX "U".

TO ORDER BURNDY® PRODUCTS CALL
 UNITED STATES
 1-800-346-4175 (LONDONDERRY, NH)
 CANADA:
 1-800-361-6975 (QUEBEC)
 1-800-387-6487 (ALL OTHER PROVINCES)
 FOR PRODUCT INFO: <http://www.burndy.com>

BRAID	
ITEM NO: --	
CAT. NO: B22G--4N(SEE TABLE)	
DRAWN BY: R. BOISVERT	12/15/2008
CHECKER: J. PARKER	12/15/2008
DSN APRVL: J. PARKER	12/15/2008
MFG APRVL: --	
QA APRVL: J. BRODEUR	12/15/2008
MKT APRVL: P. THERRIEN	12/15/2008
PROD FAM: MECHANICAL GROUNDING	DRAWING NO
PROJECT #: --	SIZE
DOCUMENT TYPE: SALES	10095071
REL LEVEL: Released	B
	SHEET 1 OF 1

