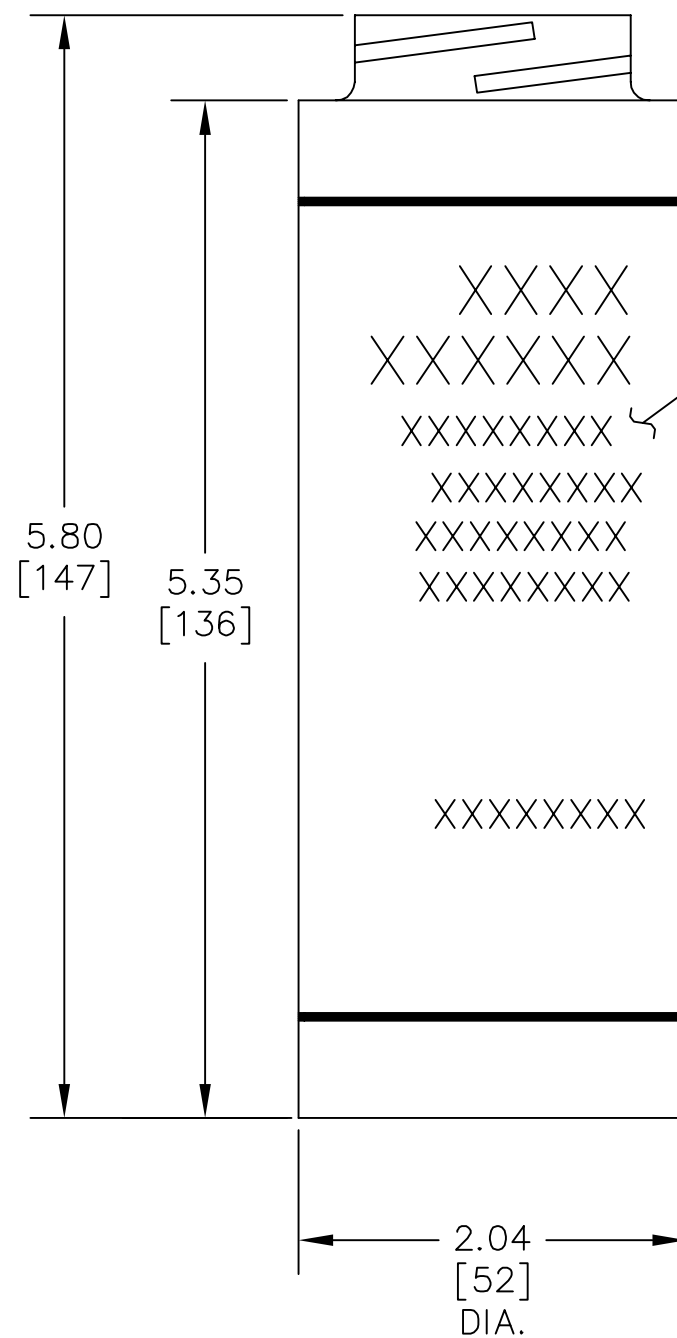
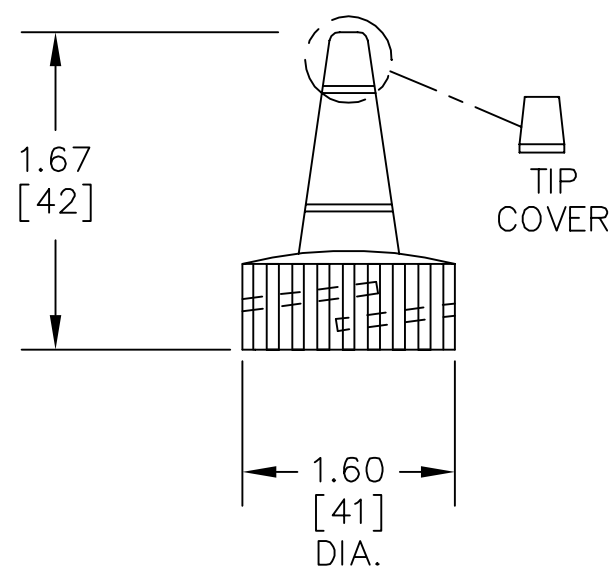


REV.	DATE	DESCRIPTION	ECO	BY	C'K'D.
E	03/08/18	UPDATE AS PER MARKUP	48457	YR	VS



SEE PRINTING
DETAIL 3



8 OZ. CYLINDER

YORKER SPOUT CAP

PENETROX™ HT

ELECTRICAL JOINT COMPOUND

- For use with all aluminum to aluminum connections
- For use on standard and high temperature rated conductors
- For the prevention of oxide build-up.
- Good for all voltages
- Not UL listed

Conductor
Termination
Compound

8 fl. oz.

**BURNDY®
PENETROX™ HT**

Recommended for use on Aluminum to Aluminum connections. Assures a high conductivity joint by sealing out air and moisture to prevent corrosion and reformation of oxides.

DIRECTIONS

1. Abrade conductor and connector.
2. Apply PENETROX™ HT liberally to both conductor and connector.
3. Follow installation instructions to BURNDY products connectors.

NOTE: Service Temperature Range
-58° to 500°F (-50° to 260°C).
STORE AT TEMPERATURE BELOW 150°F (66°C).

CAT. NO. PENHT – 8 8 fl. oz.

**PENETROX™ HT X-1552A
OXIDE INHIBITING COMPOUND**

DANGER

May cause an allergic skin reaction. Suspected of causing cancer. Causes damage to organs through prolonged or repeated exposure.

Obtain special instructions before use. Do not handle until all safety precautions have been read and understood. Do not breathe dust/fume/gas/mist/vapors/spray. Wash hands thoroughly after handling. Do not eat, drink or smoke when using this product. Contaminated work clothing must not be allowed out of the workplace. Wear protective gloves/protective clothing/eye protection/face protection. If exposed or concerned: Get medical advice/attention. IF ON SKIN: Wash with plenty of soap and water. Wash contaminated clothing before reuse. If skin irritation or rash occurs: Get medical advice/attention. Store locked up. Dispose of contents and container in accordance with all local, regional, national and international regulations.

BURNDY LLC, 47 East Industrial Park Drive, Manchester, NH 03109, USA
+1 (603) 647-5000

ENLARGED VIEW OF PRINTING DETAIL

NOTES:

1. MATERIAL: POLYETHYLENE
COLOR: BOTTLE: OPAQUE WHITE
CAP: CLEAR
2. ALL DIMENSIONS ARE REFERENCE.
- 3 PRINTING TO APPEAR CIRCUMFERENTIALLY ON BOTTLE.
4. CONTENTS: 8oz. OF PENETROX™ HT.
5. DIMENSIONS IN BRACKETS [] ARE IN MILLIMETERS ROUNDED OFF TO THE NEAREST MILLIMETER, UNLESS OTHERWISE NOTED, AND ARE FOR REFERENCE ONLY.

TO ORDER BURNDY® PRODUCTS CALL		PENETROX™ HT 8 oz. BOTTLE	
UNITED STATES: 1-800-346-4175 (LONDONDERRY, NH)		ITEM NO: 10088951	
CANADA: 1-800-361-6975 (QUEBEC) 1-800-387-6487 (ALL OTHER PROVINCES)		CAT NO: PENHT8	
FOR PRODUCT INFO: http://www.burndy.com		SCALE: NTS	
		DRAWN BY: R. BOISVERT 02/20/09	
		CHECKER: P. LAPONIUS 02/23/09	
		DSN APPVL: P. CHAN 02/02/09	
		MFG APPVL: ---	
		QC APPVL: C. ACKERMAN 02/02/09	
		MKT APPVL: B. CRUTCHER 02/02/09	
		PROD FAM: ---	
		PROJECT #: ---	
		SIZE: C	
		DOCUMENT TYPE: Sales	
		REL LEVEL: Released	
		BURNDY	
		DRAWING NO 10095801	
		REV E	
		SHEET 1 OF 1	