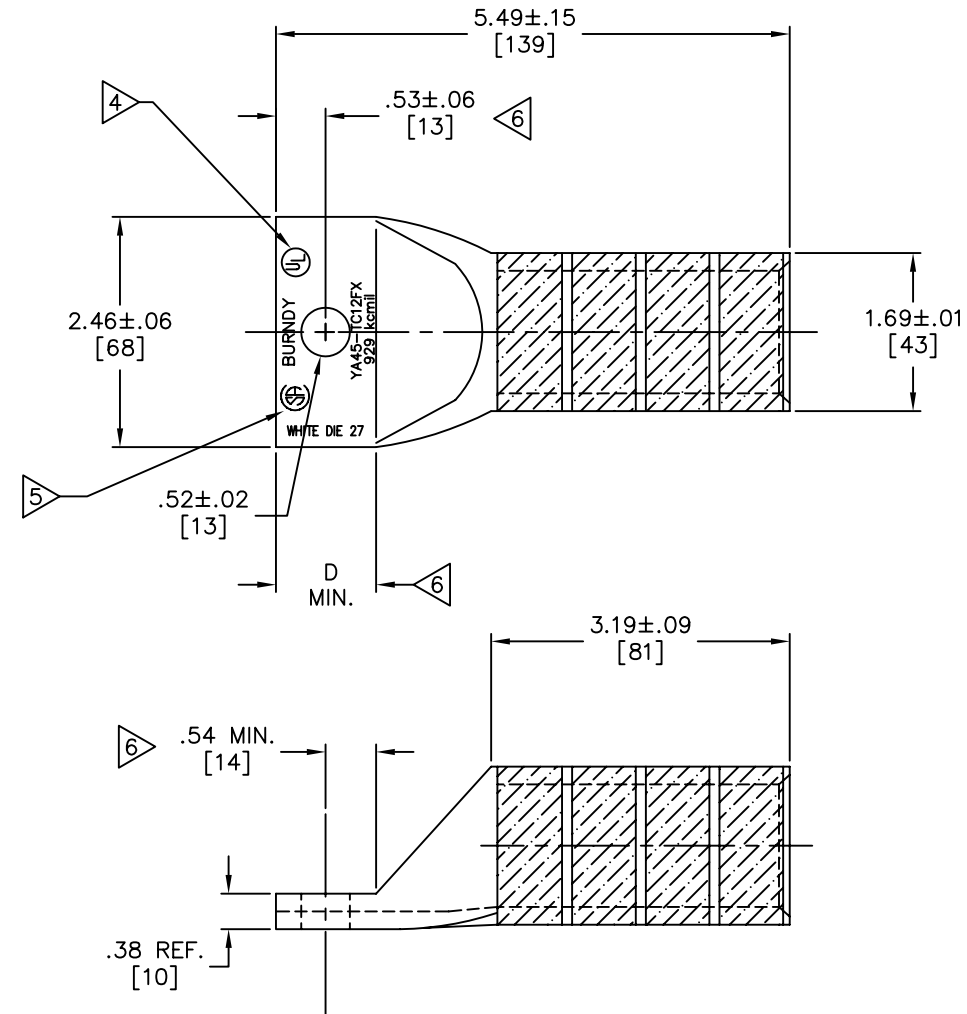


DRAWING NO.  
10096103

CATALOG NUMBER	ITEM NUMBER	COPPER CONDUCTOR ACCOMMODATED	BOLT SIZE	METRIC BOLT SIZE	INSTALLATION TOOLING (# CRIMPS)					
					DIE INFORMATION		HYDRAULIC		WIRE STRIP LENGTH	
					COLOR CODE	DIE INDEX	TYPE	Y46 PAT46		Y45
YA45-TC12FX	10020398	929 kcmil (2300/24)	1/2	M12	WHITE	27	WHITE DIE SET	P44RT(4)	S44RT(4)	3-1/4"

REV.	DATE	DESCRIPTION	ECO	BY	C'K'D.
A	01/13/09	DRAWING RELEASED	17363	RB	JM



NOTES:

1. MATERIAL: COPPER TUBING.
2. FINISH: TIN PLATED.
3. DIMENSIONS IN BRACKETS [ ] ARE IN MILLIMETERS ROUNDED OFF TO THE NEAREST MILLIMETER, UNLESS OTHERWISE NOTED, AND ARE FOR REFERENCE ONLY.
4. CONNECTORS ARE UL LISTED; UNDRILLED VERSIONS ARE NOT UL LISTED.
5. CONNECTORS ARE CSA CERTIFIED; UNDRILLED VERSIONS ARE NOT CSA CERTIFIED.
6. FOR UNDRILLED VERSIONS ADD SUFFIX "-U" TO END OF CATALOG NUMBER. FOR UNDRILLED VERSIONS USE D MIN. = .59 [15] MAX. + .54 [14] MIN.

TO ORDER BURNDY® PRODUCTS CALL  
 UNITED STATES:  
 1-800-346-4175 (LONDONDERRY, NH)  
 CANADA:  
 1-800-361-6975 (QUEBEC)  
 1-800-387-6487 (ALL OTHER PROVINCES)  
 FOR PRODUCT INFO: <http://www.fciconnect.com>

HYLUG™	
ITEM NO: 10020398	
CAT NO: YA45-TC12FX	
SCALE: N/A	
DRAWN BY: R. BOISVERT 01/13/09	
CHECKER: J. MICHAUD 01/14/09	
DSN APPVL: J. MICHAUD 01/15/09	
MFG APPVL: N/A --	
QC APPVL: J. BRODEUR 01/16/09	
MKT APPVL: J. SYLVIA 01/15/09	
PROD FAM: --	
PROJECT #: --	SIZE
DOCUMENT TYPE: Sales	D
REL LEVEL: AutoCAD	
DRAWING NO	REV
10096103	A
SHEET 1 OF 1	

