

CAT. NO.	A	C	R	FIGURE NO.
P48PR1	1.55	.67	.31	1
P44PR	1.41	.67	.25	1
P34PR5	1.52	.67	.19	1
P34PR	1.47	.62	.19	1
P44PR19	1.58	.70	.31	1
P34PR4	1.42	.67	-	3
P44PR4	1.28	.62	.19	1

REV.	DATE	DESCRIPTION	ECO	BY	C'H'K.
A	2/24/2009 12:00:00 AM	SALES DRAWING FOR P-DIES	17568	RM	JG

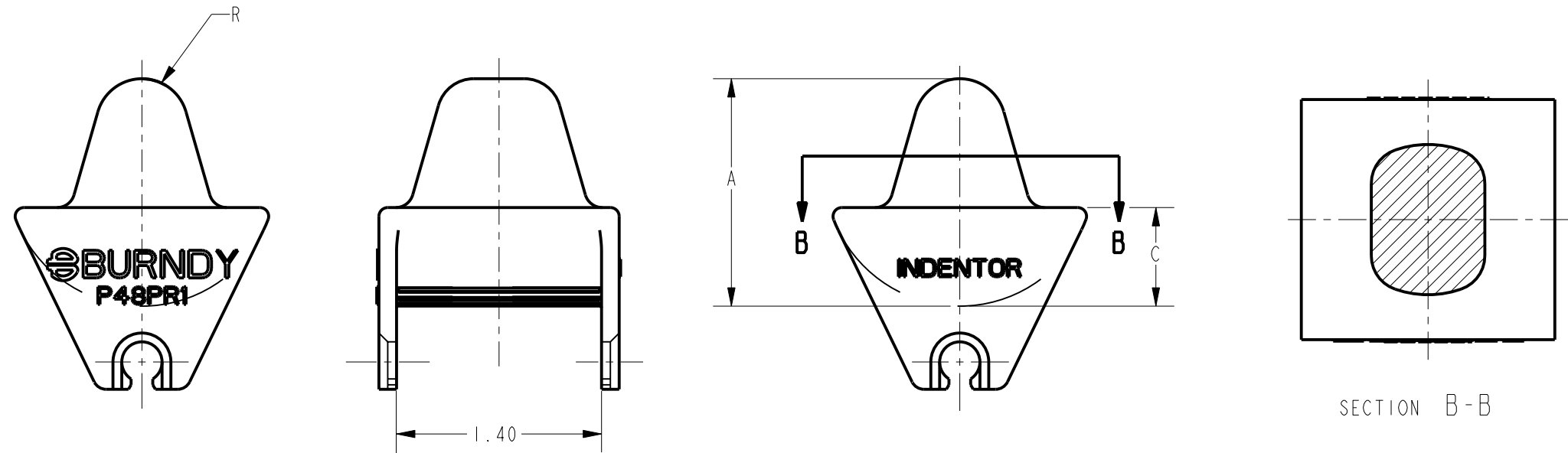


FIGURE 1

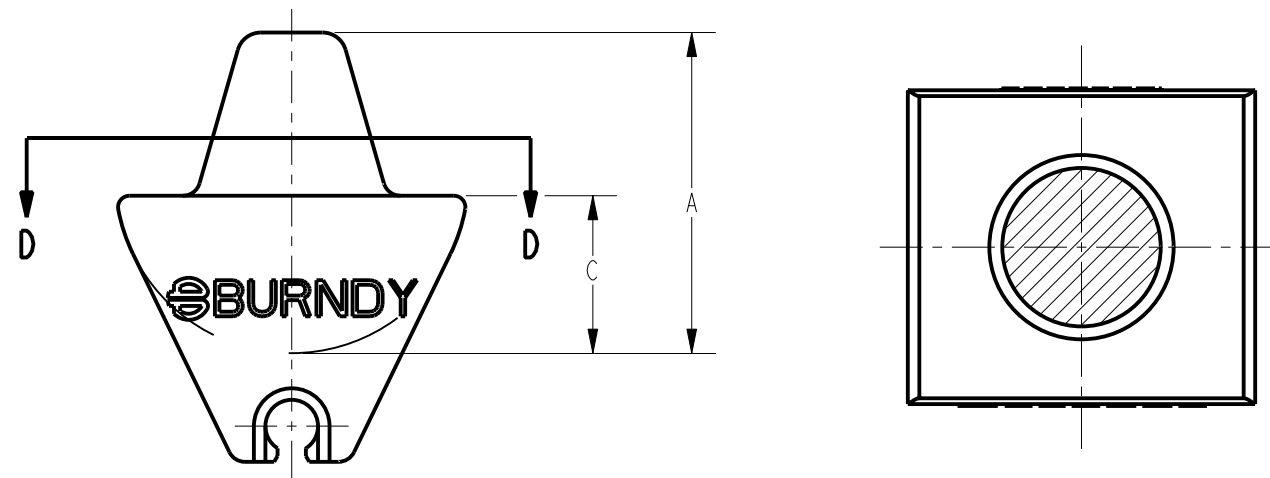


FIGURE 3

SECTION D-D

TO ORDER BURNDY® PRODUCTS CALL		INDENTOR DIE (Y46 HYPRESS)	
UNITED STATES: 1-800-346-4175 (LONDONDERRY, NH)		ITEM NO: N/A	
CANADA: 1-800-361-6975 (QUEBEC) 1-800-387-6487 (ALL OTHER PROVINCES)		CAT. NO: P (SEE TABLE)	
FOR PRODUCT INFO: http://www.burndy.com		DRAWN BY: MURUGESAN R 2/24/09	
		CHECKER: --	
		DSN APPVL: --	
		MFG APPVL: --	
		QA APPVL: --	
		MKT APPVL: --	
		PROD FAM: Tools_Hydraulic/P_Dies	
		PROJECT #: --	
		DOCUMENT TYPE: Sales	
		REL LEVEL: Released	
		SIZE: B	
		DRAWING NO: 10097528	
		SHEET 1 OF 1	
		SCALE: 1:1	
		REV: A	

REV: PE0200