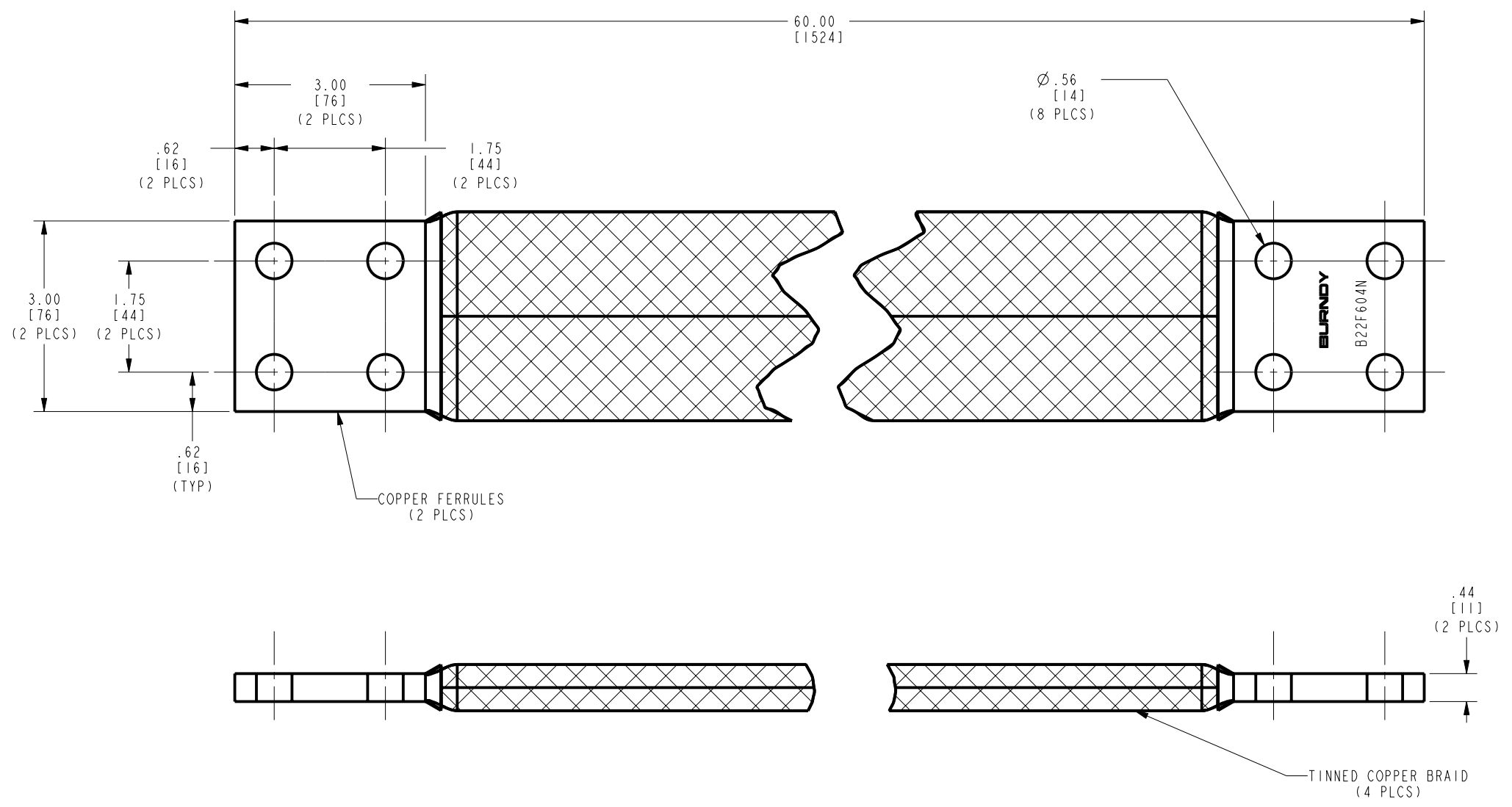


DRAWING NO.  
10098121

REV	DATE	DESCRIPTION	ECO	BY	C'H'K.
A	4/4/2009 12:00:00 AM	FOCUS ITEM	17748	DK	BSK

D  
C  
B  
A

D  
C  
B  
A



NOTES:

1. DIMENSIONS IN [ ] BRACKETS ARE IN MILLIMETERS, ROUNDED OFF TO THE NEAREST MILLIMETER, UNLESS OTHERWISE NOTED. METRIC DIMENSIONS ARE FOR REFERENCE ONLY.
2. APPROXIMATE AMP. RATING: 1100 A  
THIS MAY VARY WITH AMBIENT CONDITIONS, ORIENTATION OF THE BRAID AND OTHER SERVICE CONDITIONS.

TO ORDER BURNDY® PRODUCTS CALL		FLEXIBLE BRAID	
UNITED STATES: 1-800-346-4175 (LONDONDERRY, NH)		ITEM NO: 10094232	
CANADA: 1-800-361-6975 (QUEBEC) 1-800-387-6487 (ALL OTHER PROVINCES)		CAT. NO: B22F604N	
FOR PRODUCT INFO: <a href="http://www.fciconnect.com">http://www.fciconnect.com</a>		DRAWN BY: N.D.KANNAN 04/04/2009	SCALE: 1:2
		CHECKER: --	PROJ. FAM: --
		DSN APPVL: --	DRAWING NO: 10098121
		MFG APPVL: --	REV: A
		QA APPVL: --	PROJECT #: --
		MKT APPVL: --	DOCUMENT TYPE: --
		REL LEVEL: Released	SHEET 1 OF 1

REV: PE0200

4 3 2 1