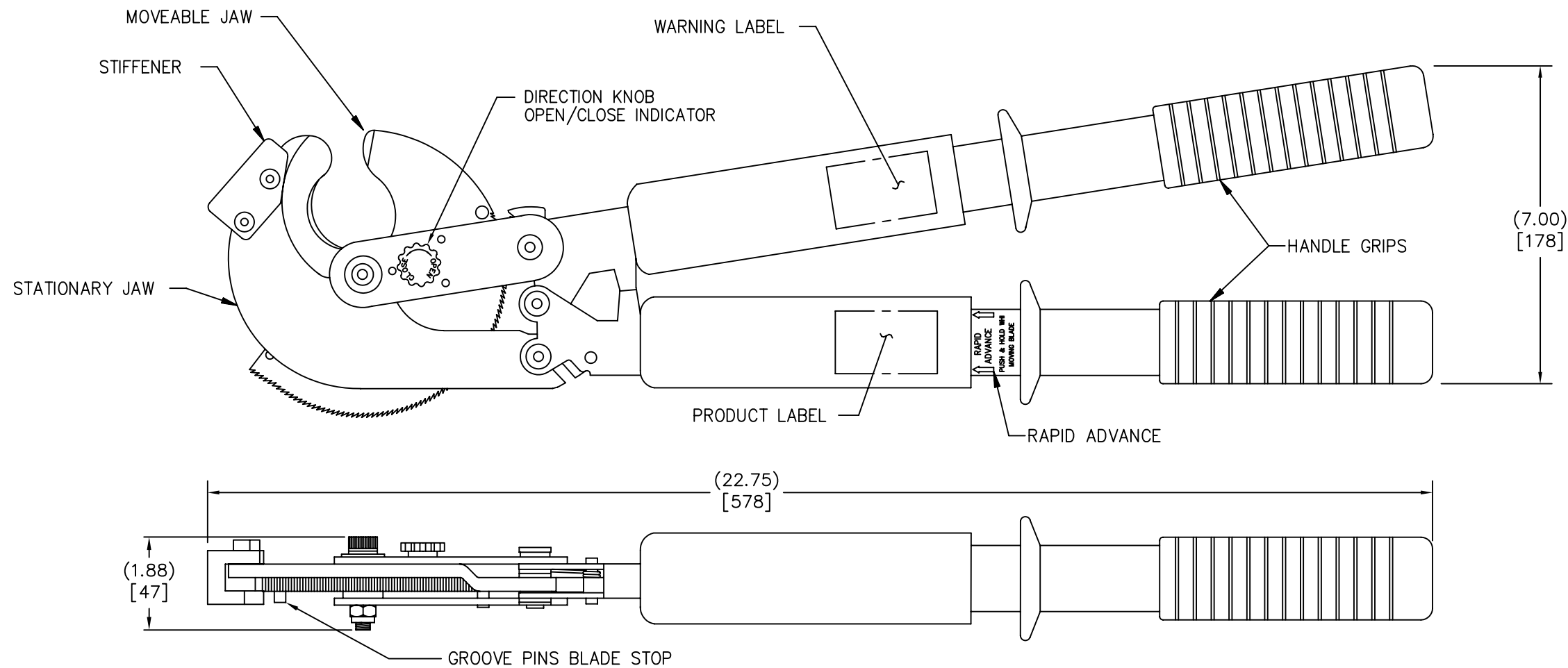


REV.	DATE	DESCRIPTION	ECO	BY	C'K'D.
B	03/20/09	UPDATE CUTTING CAPACITY PER M/U.	17770	RB	MC



NOTES:

1. READ AND FOLLOW ALL INSTRUCTIONS PROVIDED BY THE OPERATOR'S MANUAL AND WARNING LABELS BEFORE USING THIS TOOL.
2. DIMENSIONS IN [] ARE IN MILLIMETERS ROUNDED OFF TO THE NEAREST MILLIMETER, UNLESS OTHERWISE SPECIFIED. DIMENSIONS ARE FOR REFERENCE ONLY.
3. SPECIFICATIONS
WEIGHT: 6.5 LBS. [2.9 KG].
JAWS:
PATENTED HIGH STRENGTH STEEL, AND REPLACEABLE. YIELDING MINIMUM CONDUCTOR DISTORTION.
HANDLES:
FIBERGLASS WITH COMFORT GRIP DESIGN AND ERGONOMIC HANDLE ENDS PROVIDES A POSITIVE ANTI-SLIP GRIP.
4. FIBERGLASS HANDLE MATERIAL MEETS OR EXCEEDS ASTM F711.
5. TYPE OF MECHANISM:
HAND DRIVEN RATCHET WITH RAPID ADVANCE

TOOL WILL CUT THE FOLLOWING ACSR CABLE: 54 STDS AL / 7 STRD ST

CUTTING CAPACITY	
!WARNING DO NOT CUT ENERGIZED LINE	
ACSR - 954 kcmil	
COPPER - 1000 kcmil	
ALUMINUM - 1000 kcmil	
MAX. INSU. DIA - 1.38 IN. [35.05]	

TO ORDER BURNDY® PRODUCTS CALL UNITED STATES: 1-800-346-4175 (LONDONDERRY, NH) CANADA: 1-800-361-6975 (QUEBEC) 1-800-387-6487 (ALL OTHER PROVINCES) FOR PRODUCT INFO: http://www.burndy.com		954ACSR RATCHET CABLE CUTTER	
		ITEM NO: 10097647	
		CAT NO: RCC954ACSR1K	
		SCALE: N/A	
		DRAWN BY: R. BOISVERT 03/05/09	
		CHECKER: M. CHIASSON 03/06/09	DRAWING NO 10098508
		DSN APPVL: M. CHIASSON 03/06/09	
		MFG APPVL: N/A ---	REV B
		QC APPVL: M. HERRICK ---	
		MKT APPVL: ---	SHEET 1 OF 1
		PROD FAM: ---	
		PROJECT #: ---	SIZE D
		DOCUMENT TYPE: Sales	
		REL LEVEL: AutoCAD	