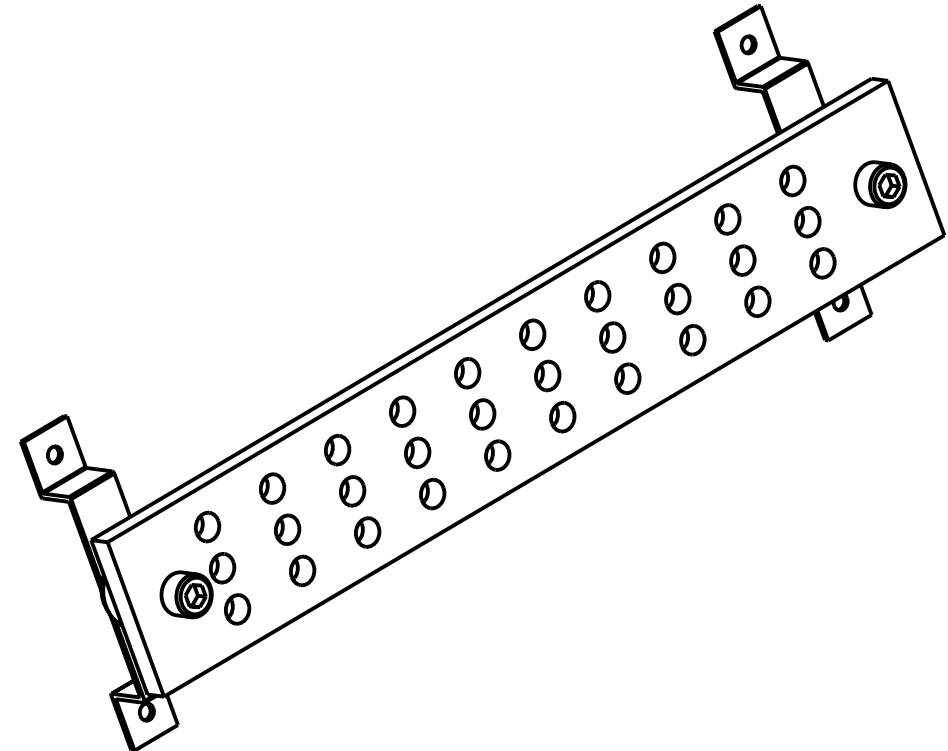
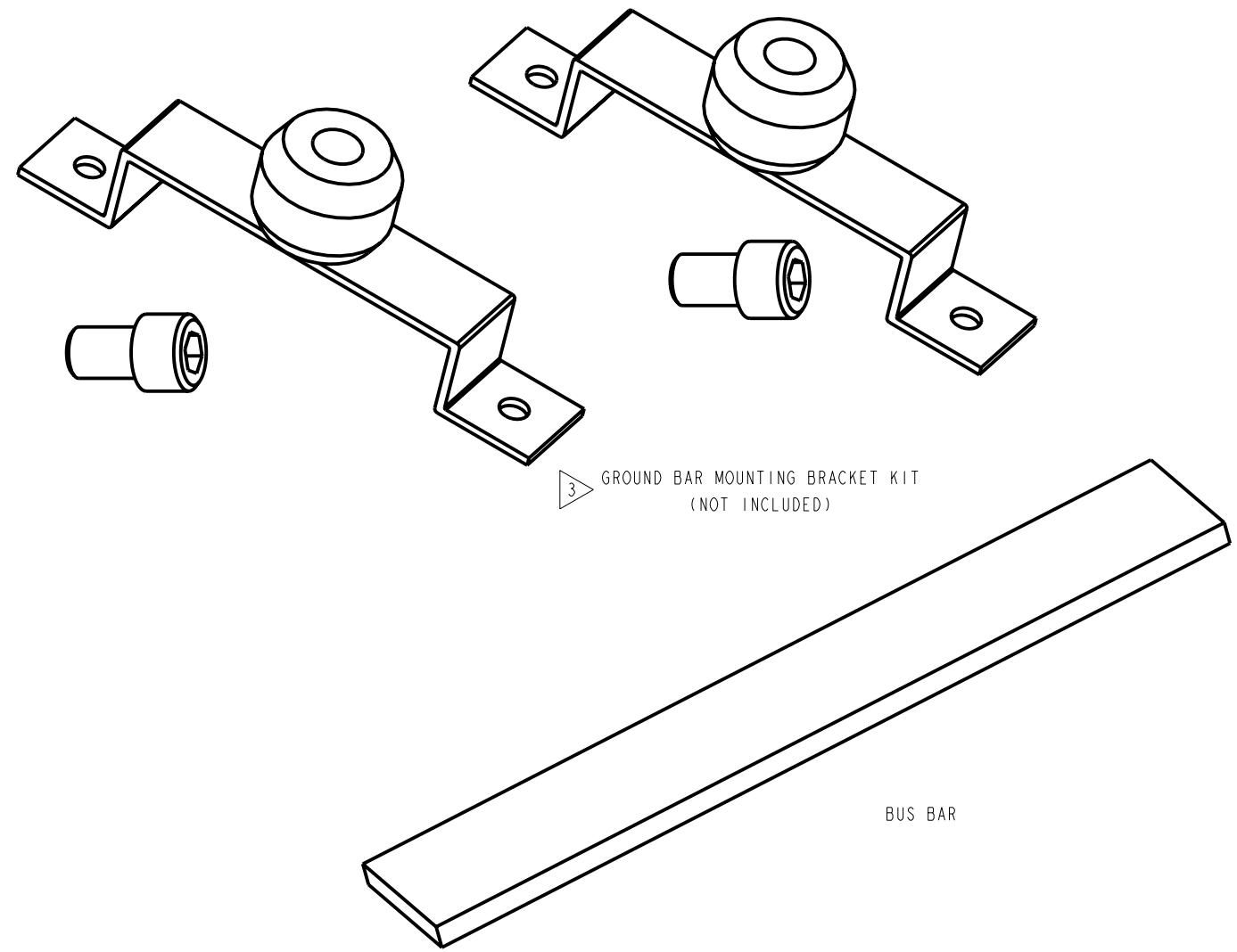


DRAWING NO.  
10099750

REV	DATE	DESCRIPTION	ECO	BY	C'H'K.
C	10/19/2010 12:00:00 AM	CREATE SALES AND PRODUCTION UPDATE AND ADD GB142144TN TO DRAWINGS	22459	TS	MA



CATALOG NUMBER	ITEM NUMBER	THICKNESS	WIDTH	LENGTH
GB14150144	10072773	1/4" [6]	1.5" [38]	144" [3658]
GB142144	10087388	1/4" [6]	2" [51]	144" [3658]
GB142144TN	30006017	1/4" [6]	2" [51]	144" [3658]
GB144144	10072765	1/4" [6]	4" [102]	144" [3658]
GB14412	10076936	1/4" [6]	4" [102]	12" [305]
B38633700	10072157	GROUND BAR MOUNTING BRACKET KIT		

NOTES:

- BUS BAR IS DRILLED BY THE CUSTOMER.
- ASSEMBLY OF BUS BAR AND BRACKETS BY THE CUSTOMER.
- GROUND BAR MOUNTING BRACKET KIT (CAT. NO. B38633700) SOLD SEPARATELY.
- DIMENSIONS IN BRACKETS [ ] ARE IN MILLIMETERS ROUNDED OFF TO THE NEAREST MILLIMETER UNLESS OTHERWISE NOTED, AND ARE FOR REFERENCE ONLY.
- SUFFIX "TN" DENOTES TIN PLATING.

TO ORDER BURNDY® PRODUCTS CALL  
 UNITED STATES:  
 1-800-346-4175 (LONDONDERRY, NH)  
 CANADA:  
 1-800-361-6975 (QUEBEC)  
 1-800-387-6487 (ALL OTHER PROVINCES)  
 FOR PRODUCT INFO: <http://www.burndy.com>

COPPER BUS BAR & MOUNTING BRACKETS		
ITEM NO: SEE TABLE		
CAT. NO: SEE TABLE		
DRAWN BY: M. AYYAPPAN 03/30/09	<b>BURNDY</b>	
CHECKER: P. WASON 05/06/09		
DSN APPVL: P. WASON 04/09/09		
MFG APPVL: --		
QA APPVL: J. BRODEUR 04/07/09		
MKT APPVL: P. THERRIEN 05/05/09	SCALE: 1:1	
PROD FAM: --	DRAWING NO	REV
PROJECT #: --	10099750	C
DOCUMENT TYPE: Sales	SHEET 1 OF 1	
REL LEVEL: Released		

REV: PE0200