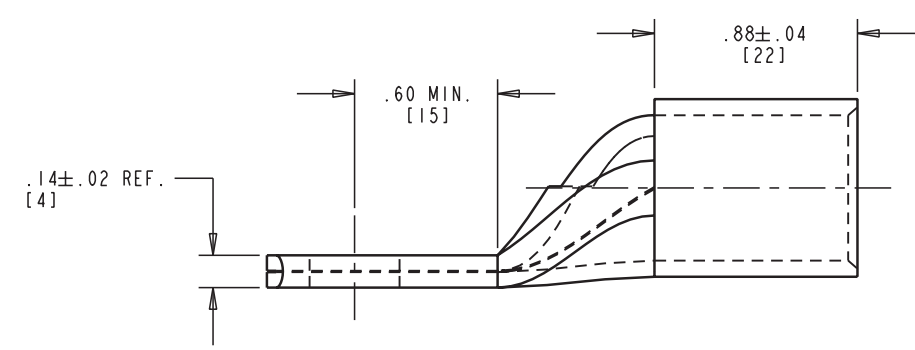
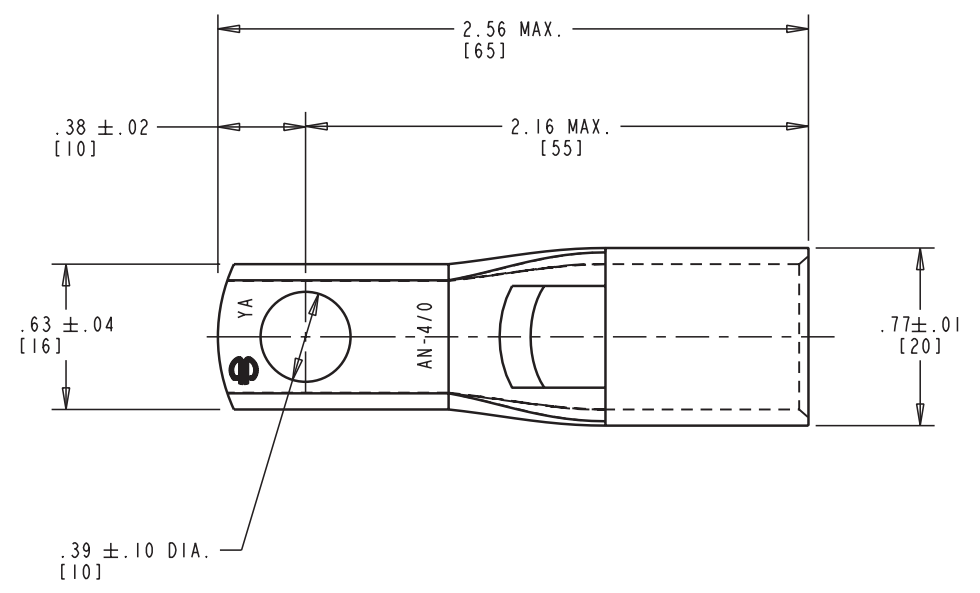


DRAWING NO.  
10100269

REV	DATE	DESCRIPTION	ECO	BY	C'H'K.
A	4/21/2009 3:08:00 PM	DRAWING RELEASED	17911	RLB	JM



NOTES:

1. MATERIAL: COPPER TUBING.
2. FINISH: TIN PLATED.
3. STUD SIZE = 3/8.
4. ACCOMMODATES: COPPER CABLE SIZE AN-4/0.
5. INSTALLATION TOOLING:  
 DIE INDEX: 46  
 HYDRAULIC TOOLS:  
 - Y35, Y39, Y750, PAT750, Y45 (W/PT6515 ADAPTOR), Y46 (W/PUADP-1 ADAPTOR)  
 DIES:  
 - UV28L NEST/Y34PA INDENTOR (1 CRIMP)  
 - USE Y35P3 ADAPTOR TO ACCOMMODATE Y34PA INDENTOR  
 - DIELESS TOOL: MY28 (1 CRIMP)
6. DIMENSIONS IN BRACKETS [ ] ARE IN MILLIMETERS ROUNDED OFF TO THE NEAREST MILLIMETER, UNLESS OTHERWISE SPECIFIED, AND ARE FOR REFERENCE ONLY.

REV: PE0200

TO ORDER BURNDY® PRODUCTS CALL  
 UNITED STATES:  
 1-800-346-4175 (LONDONDERRY, NH)  
 CANADA:  
 1-800-361-6975 (QUEBEC)  
 1-800-387-6487 (ALL OTHER PROVINCES)  
 FOR PRODUCT INFO: <http://www.burndy.com>

HYLUG™	
ITEM NO:	10041765
CAT. NO:	YAV28LG78
DRAWN BY:	R. BOISVERT 04/21/09
CHECKER:	J. MICHAUD 04/22/09
DSN APPVL:	J. MICHAUD 04/16/09
MFG APPVL:	--
QA APPVL:	J. BRODEUR 04/17/09
MKT APPVL:	J. SYLVIA 04/15/09
SCALE:	2.000
PROD FAM:	--
PROJECT #:	--
DOCUMENT TYPE:	--
REL LEVEL:	Released
DRAWING NO	10100269
REV	A
SHEET	1 OF 1

D  
C  
B  
A

D  
C  
B  
A

4 3 2 1