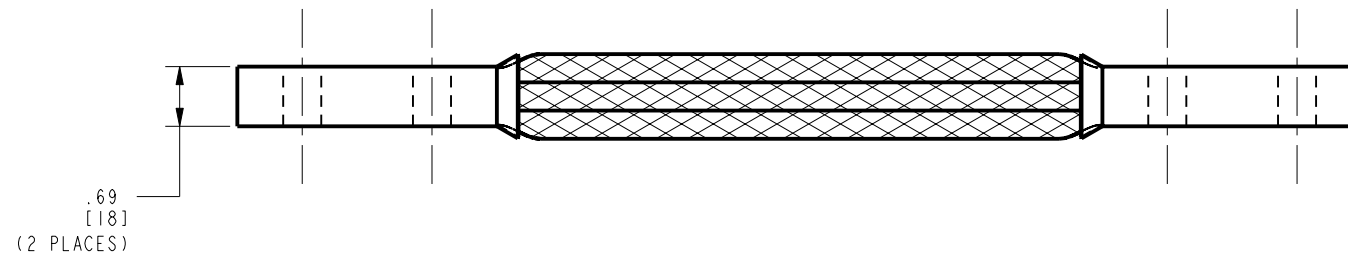
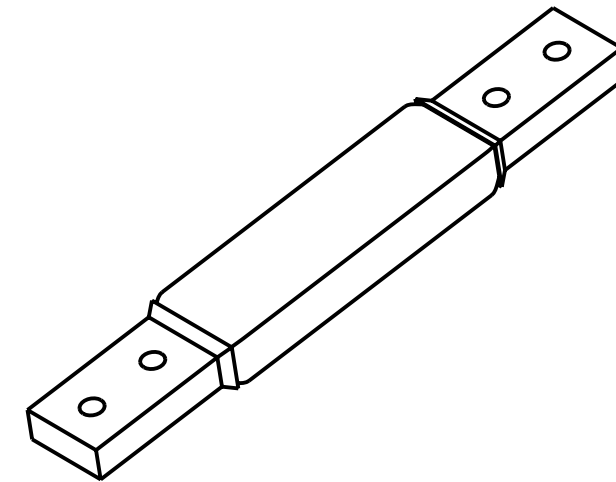
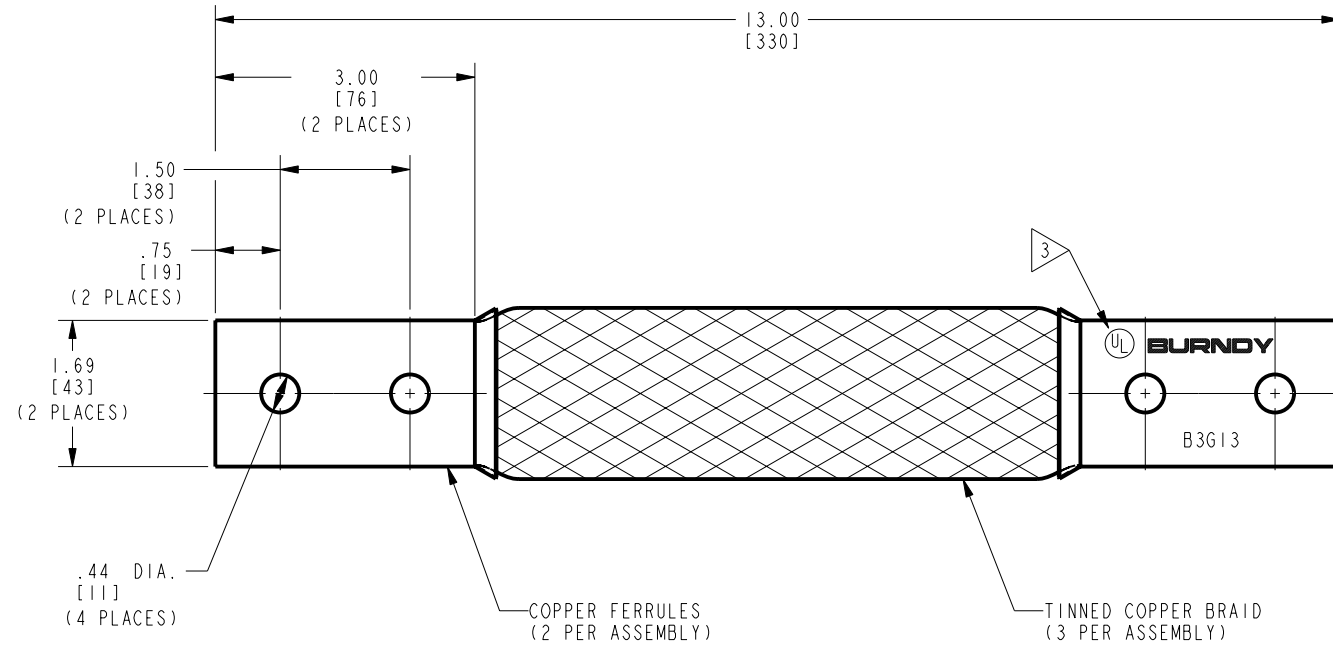


DRAWING NO.
10100357

REV	DATE	DESCRIPTION	ECO	BY	C'H'K.
1	4/9/2009 4:00:00 AM	FOCUS ITEM	17717	DK	JG

NOT FOR PRODUCTION USE



NOTES:

- DIMENSIONS IN BRACKETS [] ARE IN MILLIMETERS ROUNDED OFF TO THE NEAREST MILLIMETER, UNLESS OTHERWISE SPECIFIED, AND ARE FOR REFERENCE ONLY.
- APPROXIMATE AMP RATING: 960 INDOOR, 1150 OUTDOOR
THIS MAY VARY WITH AMBIENT CONDITIONS, ORIENTATION OF THE BRAID AND OTHER SERVICE CONDITIONS.

3 ALL SIZES ARE LISTED TO UL 467 GROUNDING & BONDING EQUIPMENT STANDARDS.

TO ORDER BURNDY® PRODUCTS CALL		BRAID	
UNITED STATES: 1-800-346-4175 (LONDONDERRY, NH)		ITEM NO: 10099348	SCALE: 3:4
CANADA: 1-800-361-6975 (QUEBEC) 1-800-387-6487 (ALL OTHER PROVINCES)		CAT. NO: B3G13	
FOR PRODUCT INFO: http://www.burndy.com		DRAWN BY: MURUGESAN R 4/10/2009	
		CHECKER: --	
		DSN APPVL: --	
		MFG APPVL: --	
		QA APPVL: --	
		MKT APPVL: --	
		PROD FAM: MECHANICAL_GROUNDING	DRAWING NO
		PROJECT #: --	REV
		DOCUMENT TYPE: Sales	10100357
		REL LEVEL: In_Work	SHEET 1 OF 1

REV: PE0200