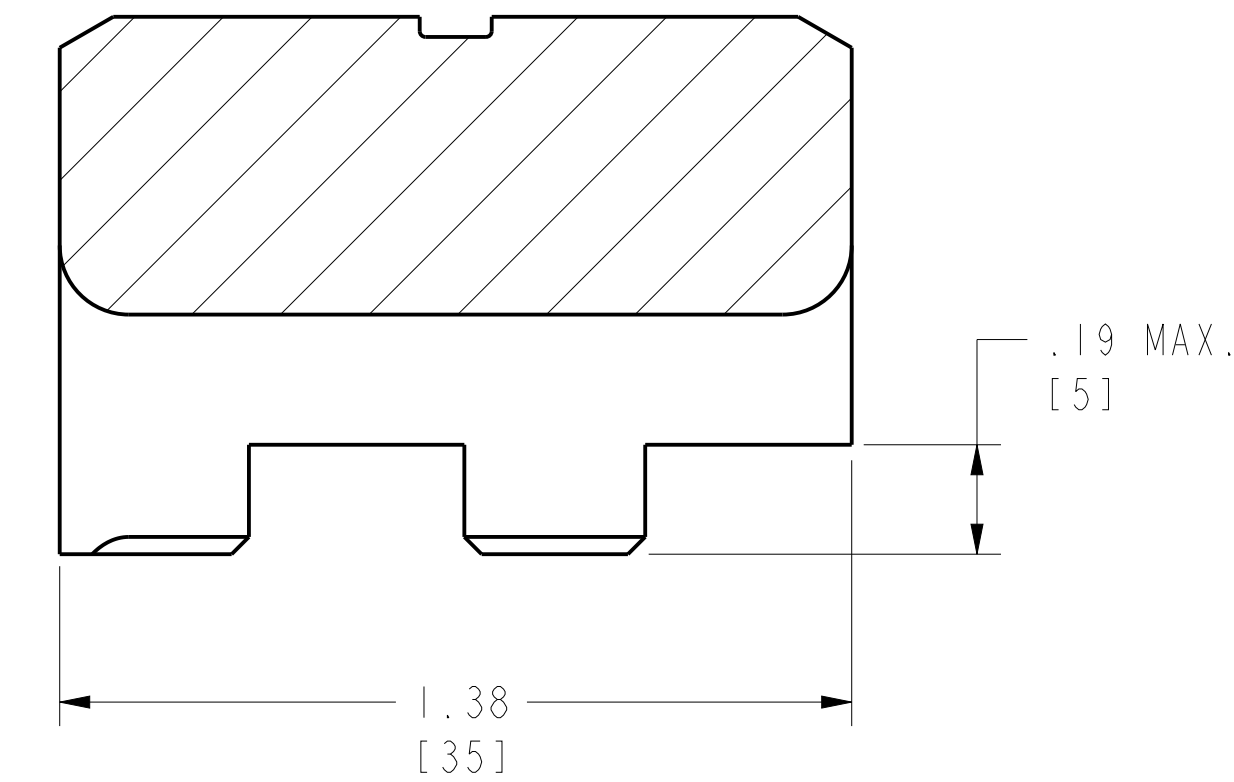
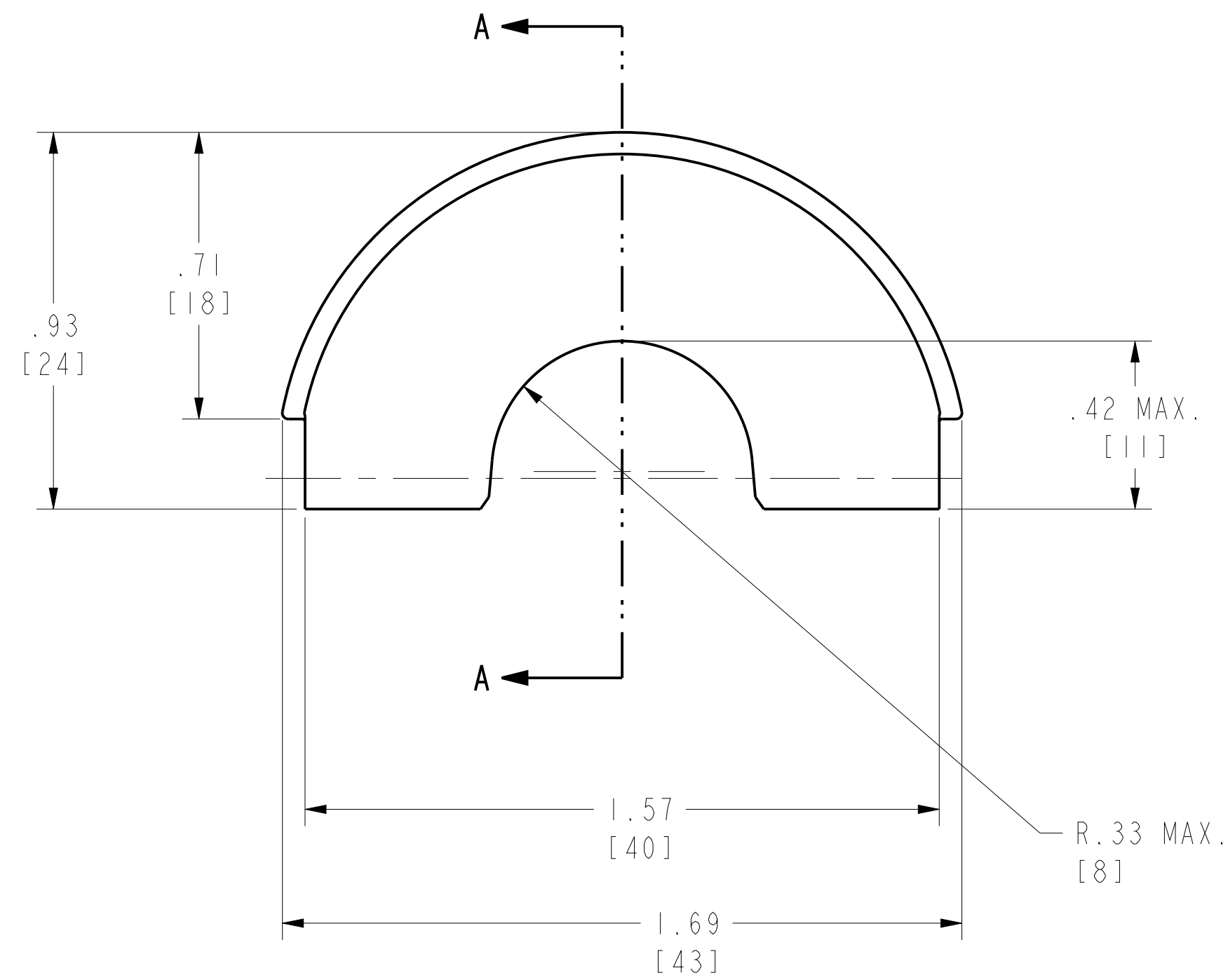
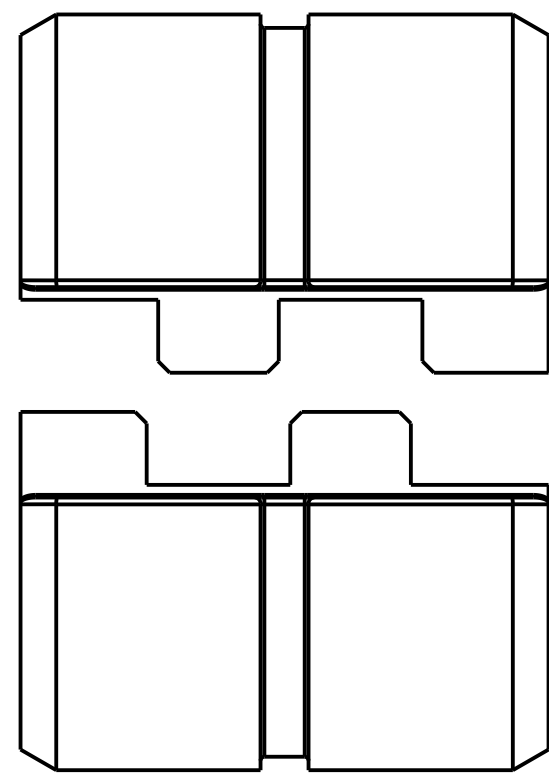


REV	DATE	DESCRIPTION	ECO	BY	C'H'K.
B	05/03/2017 09:21:00 AM	LOGO UPDATE	46659	BK	MB



SECTION A-A

## NOTES:

1. DIMENSIONS IN BRACKETS [ ] ARE IN MILLIMETERS ROUNDED OFF TO THE NEAREST MILLIMETER, UNLESS OTHERWISE SPECIFIED, AND ARE FOR REFERENCE ONLY.
2. DIE USED IN COMBINATION WITH FERRULE YF35032UI OR YF35040UI AND 262 kcmil FLEX COPPER CONDUCTOR.

TO ORDER BURNDY® PRODUCTS CALL

UNITED STATES  
1-800-346-4175 (LONDONDERRY, NH)

CANADA:  
1-800-361-6975 (QUEBEC)  
1-800-387-6487 (ALL OTHER PROVINCES)

FOR PRODUCT INFO: <http://www.burndy.com>

## ROUNDING DIES

ITEM NO:	10100180
CAT. NO:	U31ATFD
DRAWN BY:	R. BOISVERT 12/10/09
CHECKER:	J. PARKER 12/10/09
DSN APPVL:	J. PARKER 10/06/09
MFG APPVL:	S. HOPPS 10/01/09
QA APPVL:	J. BRODEUR 10/02/09
MKT APPVL:	R. POIRIER 09/02/09
PROD FAM:	--
PROJECT #:	--
DOCUMENT TYPE:	Sales
REL LEVEL:	Released

**BURNDY**

SCALE: 3:1

DRAWING NO

10100915

SHEET 1 OF 1

REV

B