

DRAWING NO.  
10101753

7

6

5

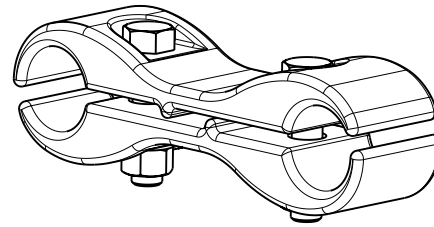
4

3

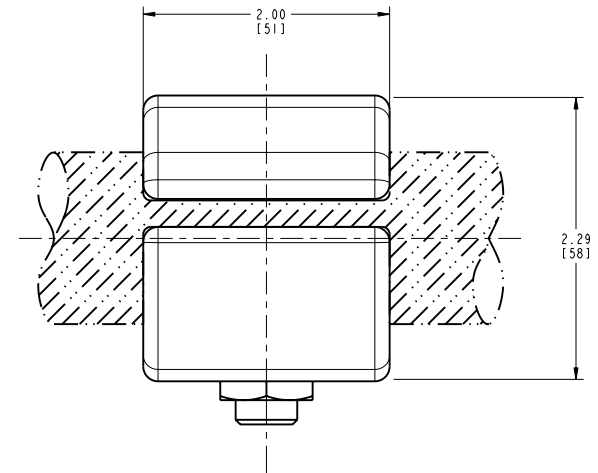
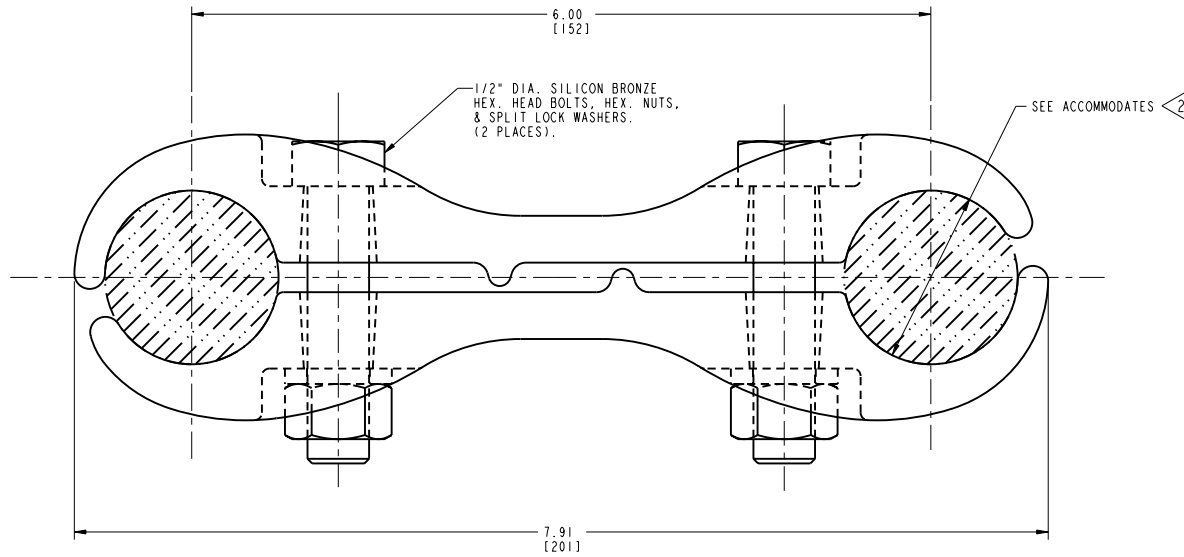
2

1

REV	DATE	DESCRIPTION	ECO	BY	C.H.K.
B	4/16/2011 12:00:00 AM	MANUFACTURE		24149	MB NJ



ISOMETRIC VIEW  
SCALE 1:1



NOTES:

- MATERIAL: CAST COPPER ALLOY.
- ACCOMMODATES: (2) 1500Kcmil (1.412 [36] DIA.) COPPER CABLES.
- DIMENSIONS IN BRACKET [ ] ARE IN MM, AND ARE ROUNDED TO THE NEAREST WHOLE NUMBER, UNLESS OTHERWISE SPECIFIED THESE UNITS SHALL BE USED FOR REFERENCE ONLY.
- NOMINAL INSTALLATION TORQUE: 1/2" SILICON BRONZE HARDWARE: 480 LB-IN [55 NM]
- MARKING: BURNDY  
S2R466  
1500 Kcmil CU

REV: PEC000

8

7

6

5

4

3

2

1

TO ORDER BURNDY® PRODUCTS CALL		2 BUNDLE SPACER	
UNITED STATES		ITEM NO: 10101805	
1-800-346-4175 (LONDONDERRY, NH)		CAT. NO: S2R466	
CANADA:		DRAWN BY: B. MANIKANDAN 05-27-2009	
1-800-361-6975 (QUEBEC)		CHECKER: NJ 09/18/09	
1-800-387-6487 (ALL OTHER PROVINCES)		DSN APPVL: -- --	
FOR PRODUCT INFO: <a href="http://www.burndy.com">http://www.burndy.com</a>		MFG APPVL: -- --	
		QA APPVL: -- --	
		MKT APPVL: -- --	
		SCALE: 2:1	
PROD FAM: SUBSTATION	SIZE	DRAWING NO	REV
PROJECT #: --	D	10101753	B
DOCUMENT TYPE: Sales		SHEET 1 OF 1	
REL LEVEL: Released			

**BURNDY**