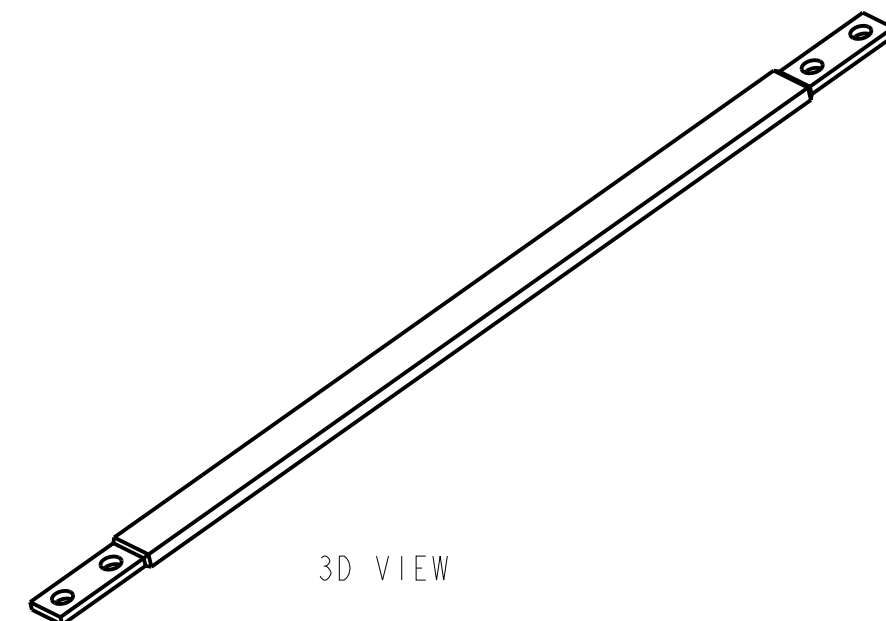
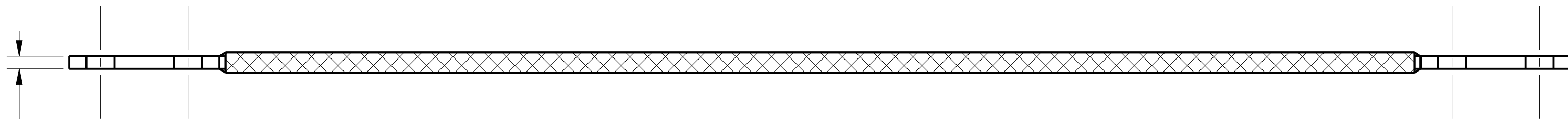
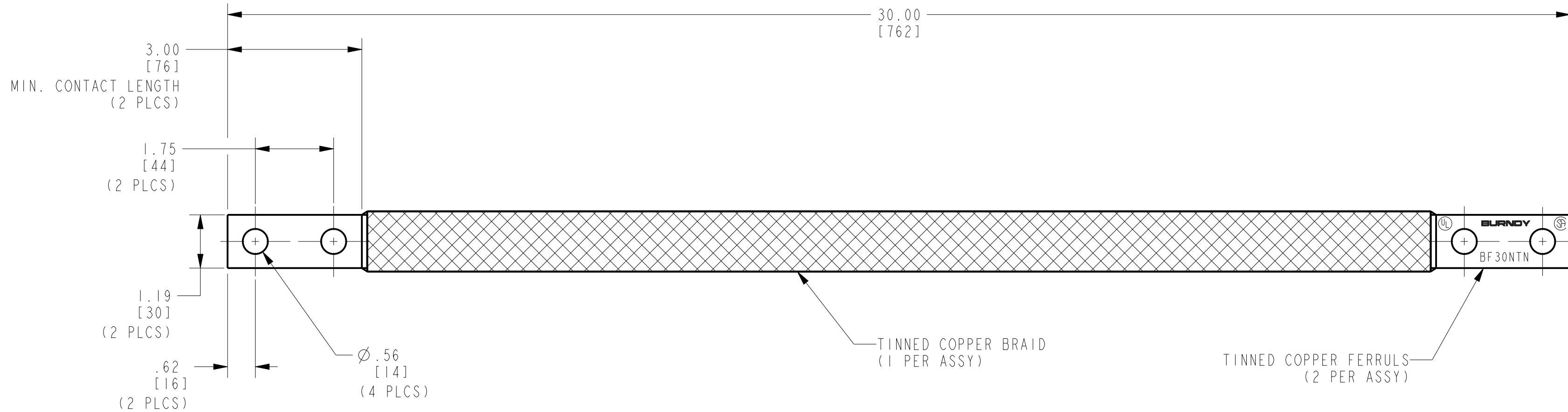


| REV | DATE | DESCRIPTION | ECO | BY | C'H'K. |
|-----|------------------------|--------------|-------|----|--------|
| B | 05/05/2017 11:00:00 AM | LOGO UPDATED | 46677 | SM | MB |



NOTES:

- DIMENSIONS IN [] BRACKETS ARE IN MILLIMETERS, ROUNDED OFF TO THE NEAREST MILLIMETER, UNLESS OTHERWISE NOTED. METRIC DIMENSIONS ARE FOR REFERENCE ONLY.
- FINISH: TIN PLATED.

| | | | |
|---|--|---------------------------------|--|
| TO ORDER BURNDY® PRODUCTS CALL | | BRAID, FLEXIBLE | |
| UNITED STATES: 1-800-346-4175 (LONDONDERRY, NH) | | ITEM NO: 10099422 | |
| CANADA: 1-800-361-6975 (QUEBEC) 1-800-387-6487 (ALL OTHER PROVINCES) | | CAT. NO: BF30NTN | |
| FOR PRODUCT INFO: http://www.burndy.com | | DRAWN BY: N.D.KANNAN 05/22/2009 | |
| | | CHECKER: -- | |
| | | DSN APPVL: -- | |
| | | MFG APPVL: -- | |
| | | QA APPVL: J.BRODEUR 8/4/17 | |
| | | MKT APPVL: -- | |
| | | SCALE: 1:2 | |
| | | PROD FAM: MECHANICAL GROUNDING | |
| | | DRAWING NO | |
| | | PROJECT #: -- | |
| | | SIZE | |
| | | 10101761 | |
| | | DOCUMENT TYPE: Sales | |
| | | REL LEVEL: Released | |
| | | SHEET 1 OF 1 | |
| | | REV | |
| | | B | |