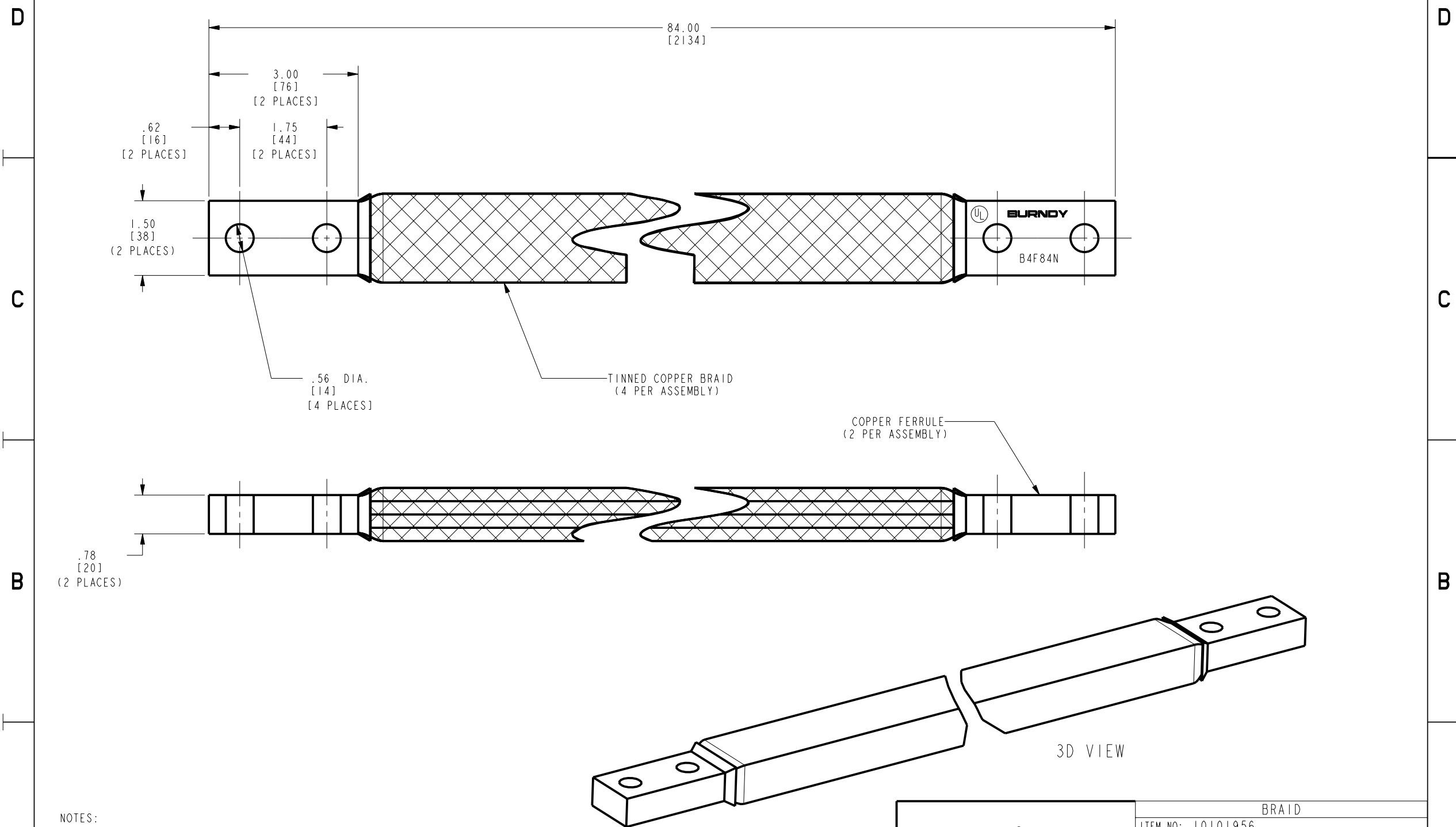


DRAWING NO.
10101817

REV	DATE	DESCRIPTION	ECO	BY	C'H'K.
A	7/15/2009 3:00:00 AM	CREATE PRODUCTION AND SALES DRAWINGS FOR BRAID B4F84N	18555	BSB	MA



NOTES:

- DIMENSION IN BRACKETS [] ARE IN MILLIMETERS ROUNDED OFF TO THE NEAREST MILLIMETER, UNLESS OTHERWISE NOTED, AND ARE FOR REFERENCE ONLY.
- APPROXIMATE AMP. RATING: INDOOR 1000 A, OUTDOOR 1200 A. THIS MAY VARY WITH AMBIENT CONDITIONS, ORIENTATION OF THE BRAID AND OTHER SERVICE CONDITIONS.

TO ORDER BURNDY® PRODUCTS CALL
 UNITED STATES:
 1-800-346-4175 (LONDONDERRY, NH)
 CANADA:
 1-800-361-6975 (QUEBEC)
 1-800-387-6487 (ALL OTHER PROVINCES)
 FOR PRODUCT INFO: <http://www.burndy.com>

BRAID			
ITEM NO:	10101956		
CAT. NO:	B4F84N		
DRAWN BY:	B. SURESH BABU	5/29/09	
CHECKER:	J. PARKER	7/14/09	
DSN APPVL:	J. PARKER	7/14/09	
MFG APPVL:	C. MARTINEZ	7/21/09	
QA APPVL:	J. BRODEUR	7/14/09	
MKT APPVL:	--	--	SCALE: 3:4
PROD FAM:	MECHANICAL GROUNDING	DRAWING NO	REV
PROJECT #:	--	SIZE	
DOCUMENT TYPE:	Sales	10101817	A
REL LEVEL:	Released	SHEET 1 OF 1	

REV: PE0200