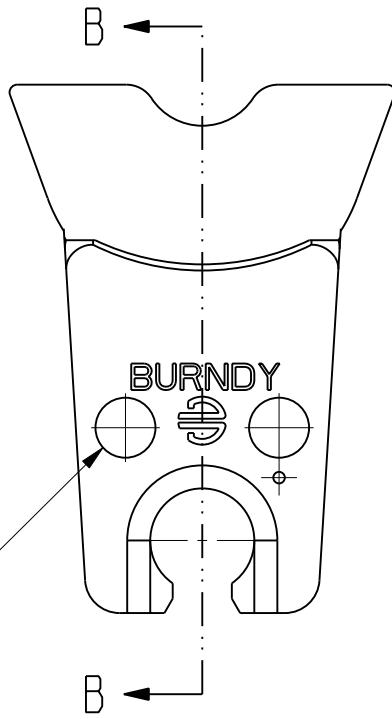
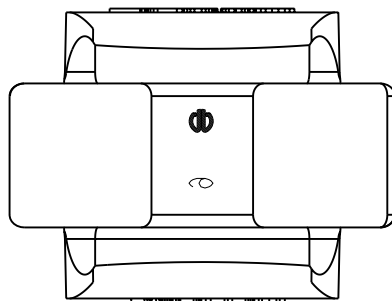
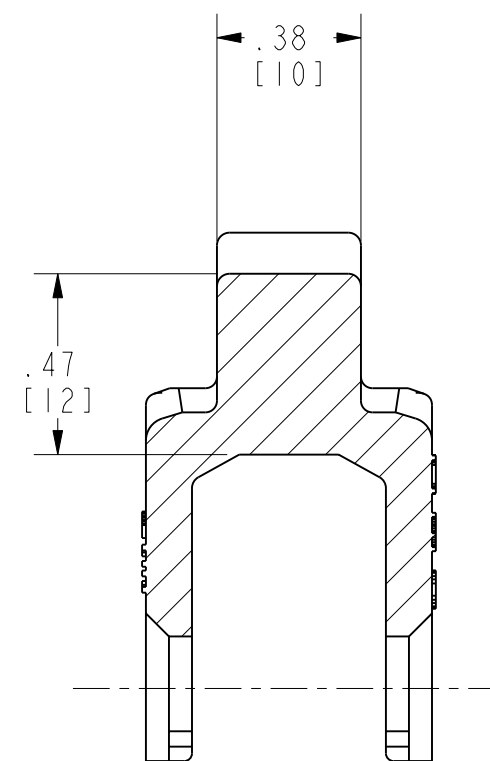


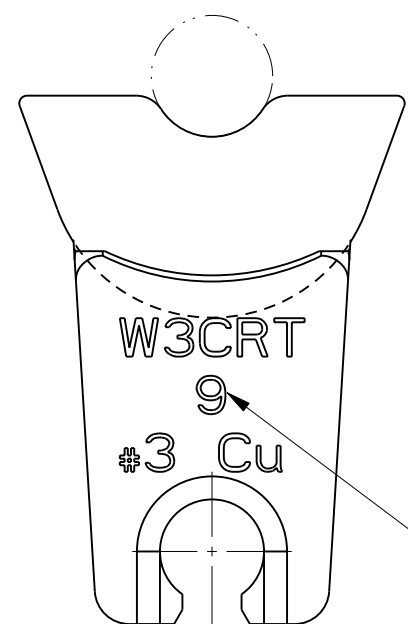
REV.	DATE	DESCRIPTION	ECO	BY	C'H'K.
C	03/16/2015 00:00:00 AM	UPDATED AS PER MARKUP	37870	MG	RM



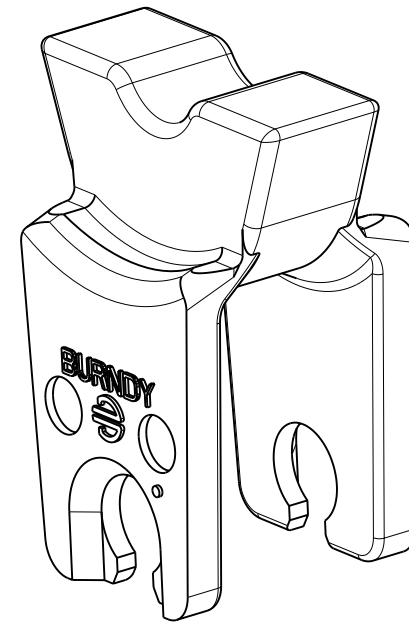
WHITE PAINT



SECTION B-B



DIE INDEX



NOTES:

1. DIMENSIONS IN BRACKETS [ ] ARE IN MILLIMETERS ROUNDED OFF TO THE NEAREST MILLIMETER, UNLESS OTHERWISE NOTED, AND ARE FOR REFERENCE ONLY.
2. MATERIAL: STAINLESS STEEL
3. CATALOG NUMBER CONSIST OF TWO DIE HALVES.
4. DIE GAGE CAT NO. WPG9

TO ORDER BURNDY® PRODUCTS CALL  
 UNITED STATES:  
 1-800-346-4175 (LONDONDERRY, NH)  
 CANADA:  
 1-800-361-6975 (QUEBEC)  
 1-800-387-6487 (ALL OTHER PROVINCES)  
 FOR PRODUCT INFO: <http://www.burndy.com>

W-DIES (MD6 HYTOOL)	
ITEM NO: 464349	
CAT. NO: W3CRT	
DRAWN BY: M. RAJASEKAR 06/04/09	
CHECKER: R. RICK 06/11/09	
DSN APPVL: A. JOHN 06/11/09	
MFG APPVL: H. SHANE 06/16/09	
QA APPVL: --	
MKT APPVL: P. ROBERT 06/11/09	
PROD FAM: TOOLS_MECHANICAL	SCALE: 2:1
PROJECT #: --	DRAWING NO
DOCUMENT TYPE: Sales	10102367
REL LEVEL: Released	B
	SHEET 1 OF 1



REV: PE0200