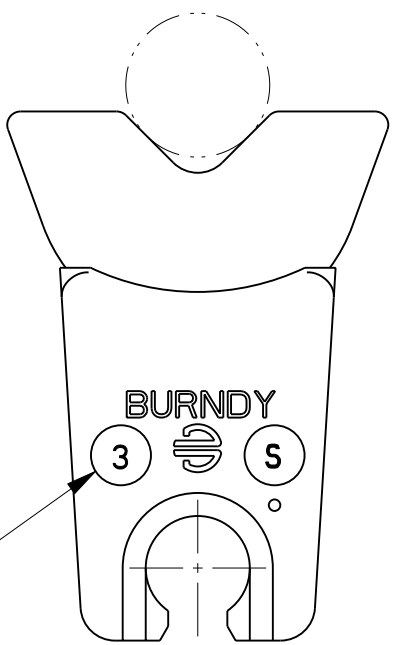
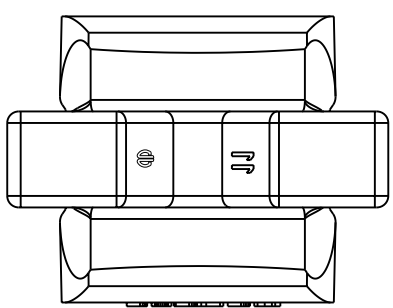
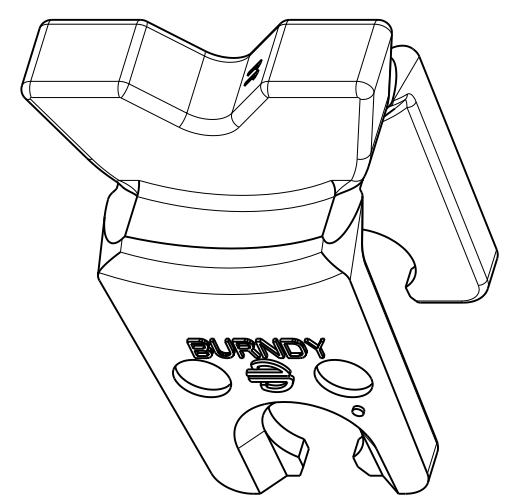
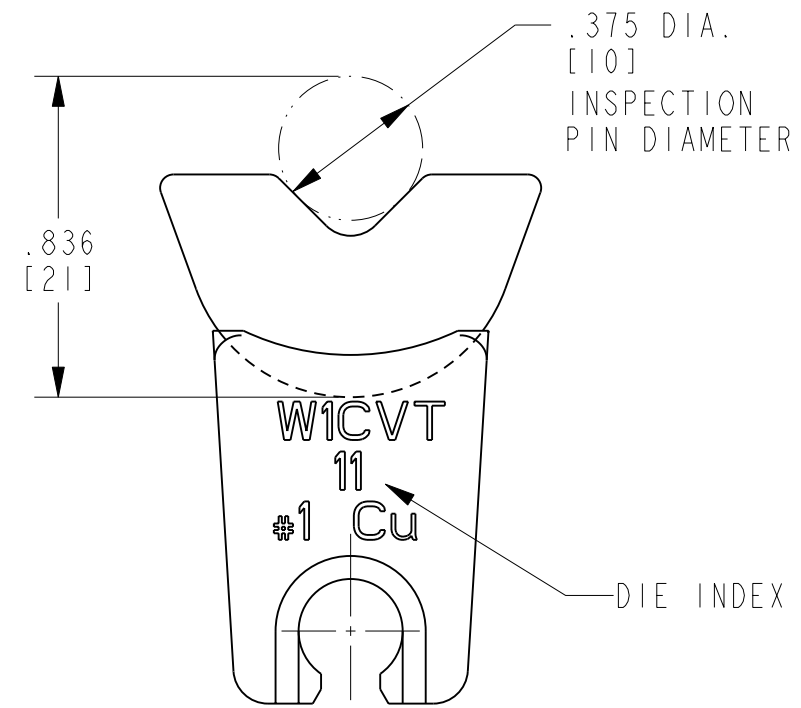
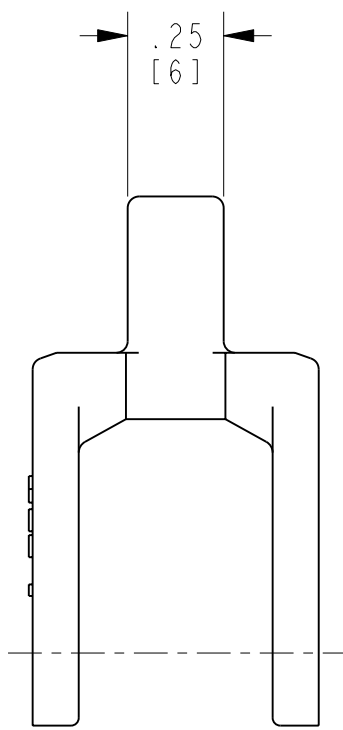


REV.	DATE	DESCRIPTION	ECO	BY	C'H'K.
B	03/17/2015 00:00:00 AM	UPDATED AS PER MARKUP	38811	MG	RM



GREEN PAINT



NOTES:

- DIMENSIONS IN BRACKETS [] ARE IN MILLIMETERS ROUNDED OFF TO THE NEAREST MILLIMETER, UNLESS OTHERWISE NOTED, AND ARE FOR REFERENCE ONLY.
- MATERIAL: STAINLESS STEEL
- CATALOG NUMBER CONSIST OF TWO DIE HALVES.

TO ORDER BURNDY® PRODUCTS CALL
 UNITED STATES:
 1-800-346-4175 (LONDONDERRY, NH)
 CANADA:
 1-800-361-6975 (QUEBEC)
 1-800-387-6487 (ALL OTHER PROVINCES)
 FOR PRODUCT INFO: <http://www.burndy.com>

W-DIES	
ITEM NO: --	3
CAT. NO: WICVT	
DRAWN BY: M RAJASEKAR 6/11/2009	
CHECKER: R RICK 7/13/2009	
DSN APPVL: R RICK 7/13/2009	
MFG APPVL: S HOPPS 8/11/2009	
QA APPVL: A CHARLES 7/15/2009	
MKT APPVL: P ROBERT 7/09/2009	
PROD FAM: TOOLS_MECHANICAL	SCALE: 2:1
PROJECT #: --	DRAWING NO
DOCUMENT TYPE: Sales	10102369
REL LEVEL: Released	B
	SHEET 1 OF 1

REV: PE0200