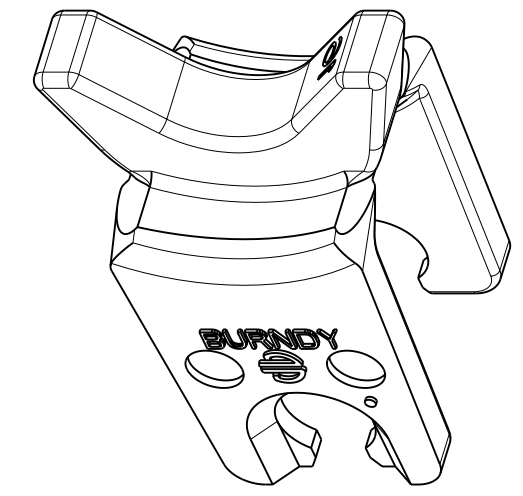
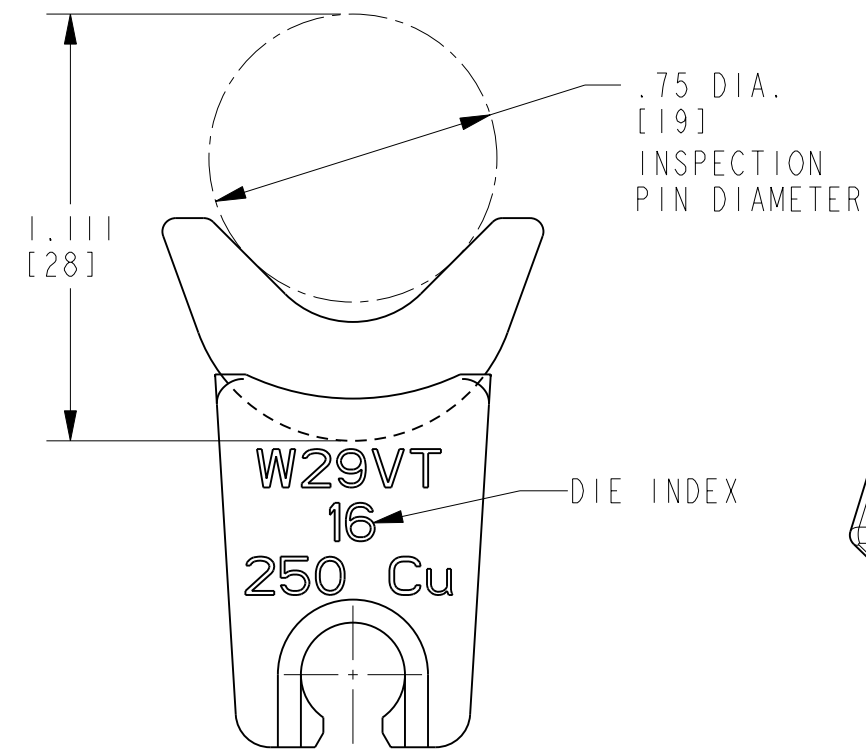
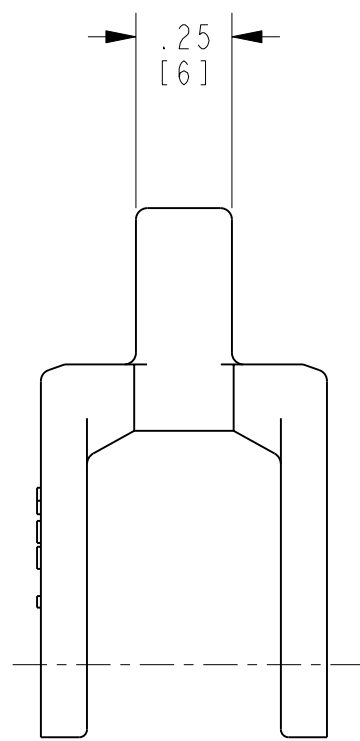
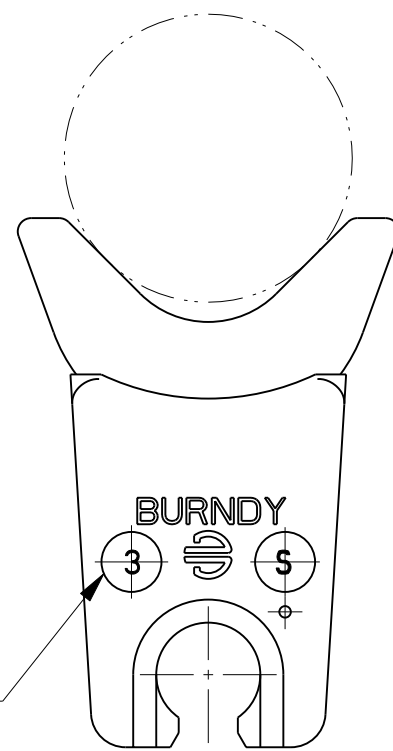
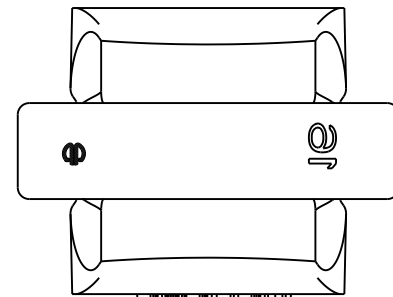


REV.	DATE	DESCRIPTION	ECO	BY	C'H'K.
B	03/18/2015 00:00:00 AM	UPDATED AS PER MARKUP	37620	MG	RM



NOTES:

1. DIMENSIONS IN BRACKETS [] ARE IN MILLIMETERS ROUNDED OFF TO THE NEAREST MILLIMETER, UNLESS OTHERWISE NOTED, AND ARE FOR REFERENCE ONLY.
2. MATERIAL: STAINLESS STEEL
3. CATALOG NUMBER CONSIST OF TWO DIE HALVES.

TO ORDER BURNDY® PRODUCTS CALL
 UNITED STATES:
 1-800-346-4175 (LONDONDERRY, NH)
 CANADA:
 1-800-361-6975 (QUEBEC)
 1-800-387-6487 (ALL OTHER PROVINCES)
 FOR PRODUCT INFO: <http://www.burndy.com>

W-DIES		SCALE: 2:1
ITEM NO: --		
CAT. NO: W29VT		
DRAWN BY: M RAJASEKAR 6/12/2009	DRAWING NO	
CHECKER: R RICK 7/13/2009	REV	
DSN APPVL: R RICK 7/13/2009	PROJECT #: --	
MFG APPVL: S HOPPS 8/11/2009	SIZE	
QA APPVL: A CHARLES 7/15/2009	DOCUMENT TYPE: Sales	
MKT APPVL: P ROBERT 7/09/2009	REL LEVEL: Released	
	B	10102374
		SHEET 1 OF 1

REV: PE0200