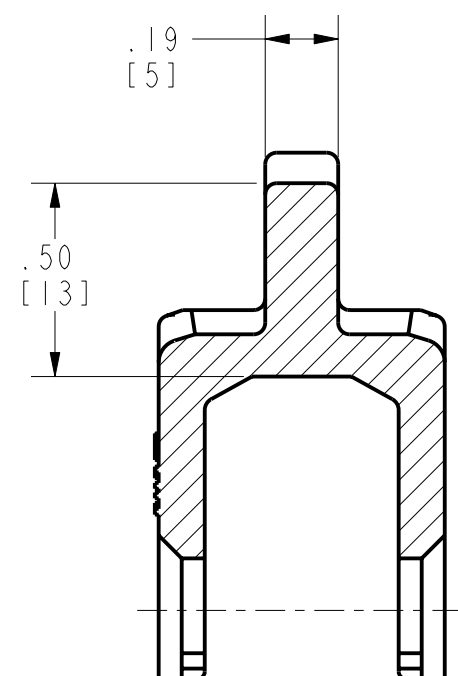
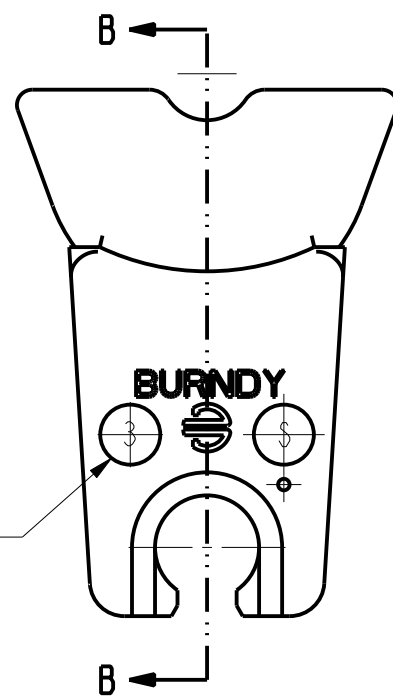
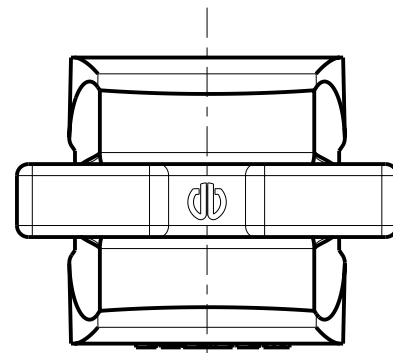
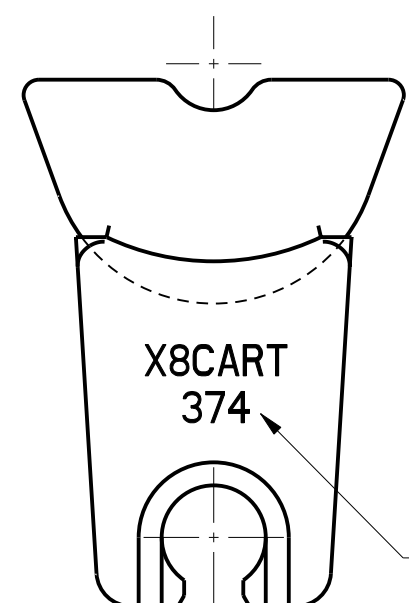


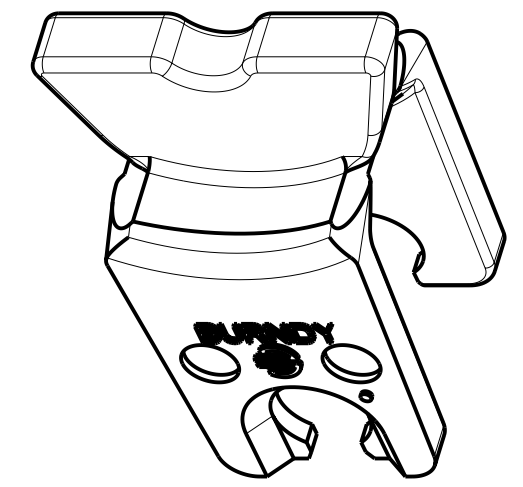
REV.	DATE	DESCRIPTION	ECO	BY	C'H'K.
A	7/3/2009 12:00:00 AM	NEW SALES DRAWING RELEASE	18383	MR	JG



SECTION B-B



DIE INDEX



NOTES:

- DIMENSIONS IN BRACKETS [ ] ARE IN MILLIMETERS ROUNDED OFF TO THE NEAREST MILLIMETER, UNLESS OTHERWISE NOTED, AND ARE FOR REFERENCE ONLY.
- MATERIAL: STAINLESS STEEL

TO ORDER BURNDY® PRODUCTS CALL  
 UNITED STATES:  
 1-800-346-4175 (LONDONDERRY, NH)  
 CANADA:  
 1-800-361-6975 (QUEBEC)  
 1-800-387-6487 (ALL OTHER PROVINCES)  
 FOR PRODUCT INFO: <http://www.burndy.com>

X-DIES (OUR-840, COLOR CODED, ALUM CONN.)	
ITEM NO: --	
CAT. NO: X8CART	
DRAWN BY: M RAJASEKAR	7/03/2009
CHECKER: R RICK	7/29/2009
DSN APPVL: A JOHN	7/31/2009
MFG APPVL: --	--
QA APPVL: --	--
MKT APPVL: P ROBERT	7/22/2009
PROD FAM: TOOLS_MECHANICAL	SCALE: 2:1
PROJECT #: --	DRAWING NO
DOCUMENT TYPE: Sales	REV
REL LEVEL: Released	SIZE
	10102379
	SHEET 1 OF 1
	A



REV: PE0200