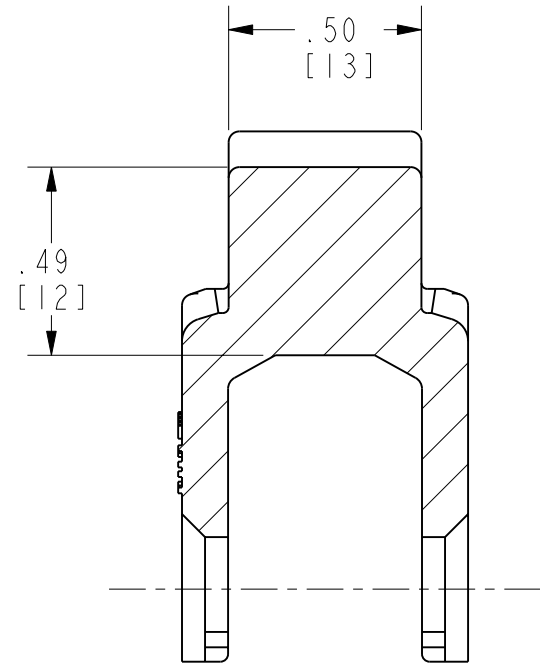
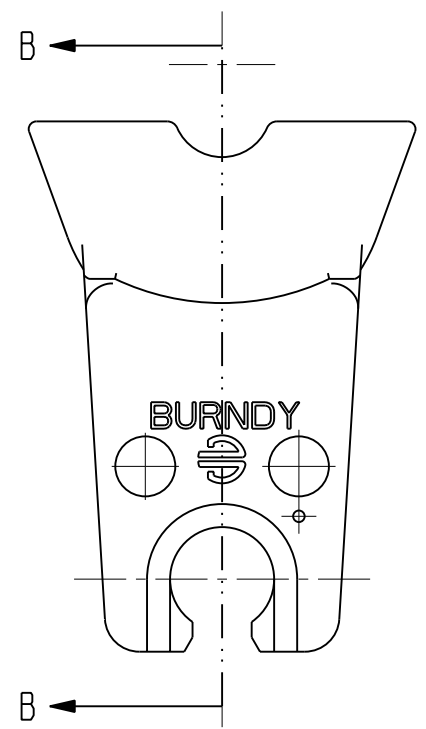
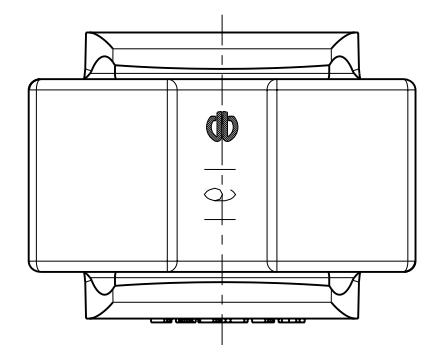
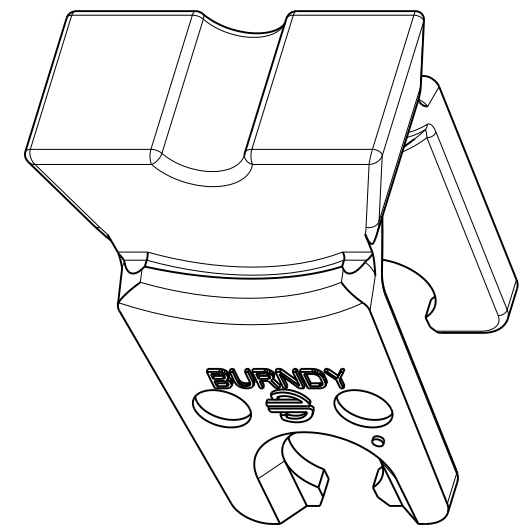
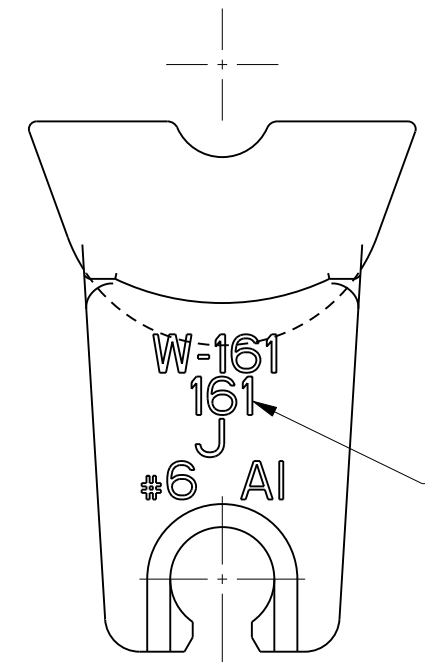


REV.	DATE	DESCRIPTION	ECO	BY	C'H'K.
C	04/24/2015 00:00:00 AM	UPDATED AS PER MARKUP	39316	MG	RM



SECTION B-B



NOTES:

1. DIMENSIONS IN BRACKETS [] ARE IN MILLIMETERS ROUNDED OFF TO THE NEAREST MILLIMETER, UNLESS OTHERWISE NOTED, AND ARE FOR REFERENCE ONLY.
2. MATERIAL: STAINLESS STEEL
3. DIE GAGE CAT NO. WPG161
4. CATALOG NUMBER CONSIST OF TWO DIE HALVES.

REV: PE0200

TO ORDER BURNDY® PRODUCTS CALL
 UNITED STATES:
 1-800-346-4175 (LONDONDERRY, NH)
 CANADA:
 1-800-361-6975 (QUEBEC)
 1-800-387-6487 (ALL OTHER PROVINCES)
 FOR PRODUCT INFO: <http://www.burndy.com>

W-DIES (MD6 HYTOOL)	
ITEM NO: 464300	
CAT. NO: W161	
DRAWN BY: M RAJASEKAR 7/03/2009	
CHECKER: R RICK 7/29/2009	
DSN APPVL: A JOHN 7/31/2009	
MFG APPVL: --	
QA APPVL: --	
MKT APPVL: P ROBERT 7/22/2009	
PROD FAM: TOOLS_MECHANICAL	SCALE: 2:1
PROJECT #: --	DRAWING NO
DOCUMENT TYPE: Sales	10102380
REL LEVEL: Released	SHEET 1 OF 1



C