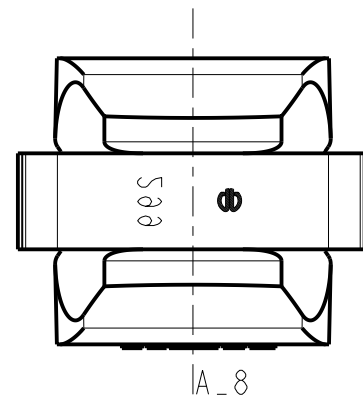


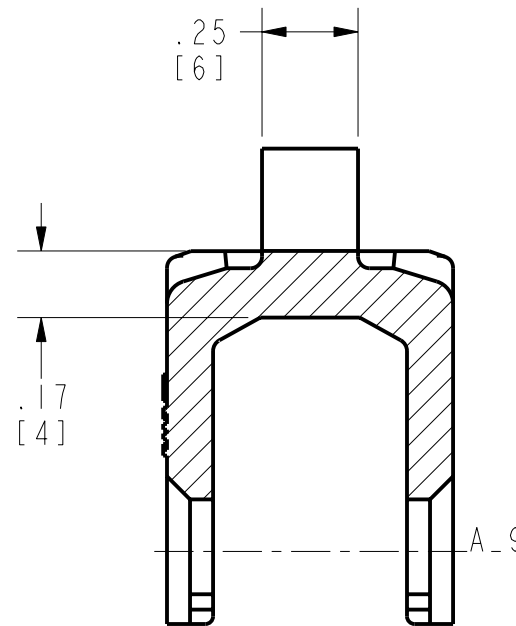
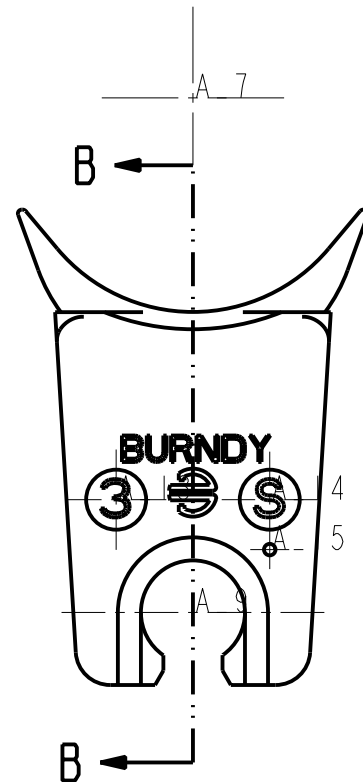
FOR USE WITH FCI-BURNDY PAT600, BAT500, Y500CT, BCT500 AND MD7-34R ONLY

REV.	DATE	DESCRIPTION	ECO	BY	C'H'K.
B	01/27/2014 00:00:00 AM	UPDATED AS PER MU	34285	MVP	MB

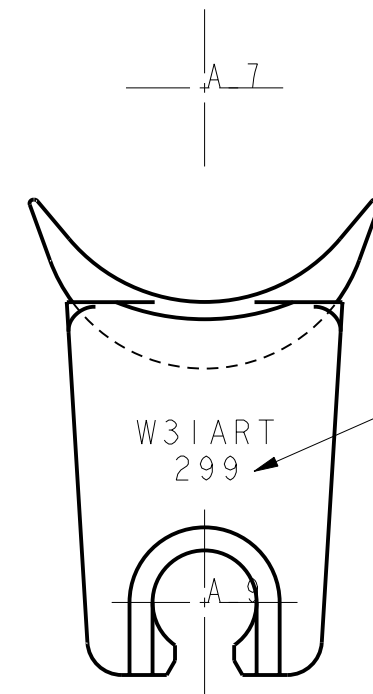
CONNECTOR	CONDUCTOR	SIZE
YA-A, YS-A	ALUMINUM	350 Kcmil



A_8



SECTION B-B



DIE INDEX



NOTES:

- DIMENSIONS IN BRACKETS [] ARE IN MILLIMETERS ROUNDED OFF TO THE NEAREST MILLIMETER, UNLESS OTHERWISE NOTED, AND ARE FOR REFERENCE ONLY.
- MATERIAL: STAINLESS STEEL
- DIE GAGE CAT NO. WPG299

TO ORDER BURNDY® PRODUCTS CALL
 UNITED STATES:
 1-800-346-4175 (LONDONDERRY, NH)
 CANADA:
 1-800-361-6975 (QUEBEC)
 1-800-387-6487 (ALL OTHER PROVINCES)
 FOR PRODUCT INFO: <http://www.burndy.com>

W-DIES, NON-BUTTING	
ITEM NO: --	
CAT. NO: W31ART	
DRAWN BY: M RAJASEKAR 7/06/2009	
CHECKER: R RICK 7/31/2009	
DSN APPVL: A JOHN 7/31/2009	
MFG APPVL: --	
QA APPVL: --	
MKT APPVL: P ROBERT 7/30/2009	SCALE: 2:1
PROD FAM: TOOLS_MECHANICAL	DRAWING NO
PROJECT #: --	SIZE
DOCUMENT TYPE: Sales	B
REL LEVEL: Released	



REV: PE0200