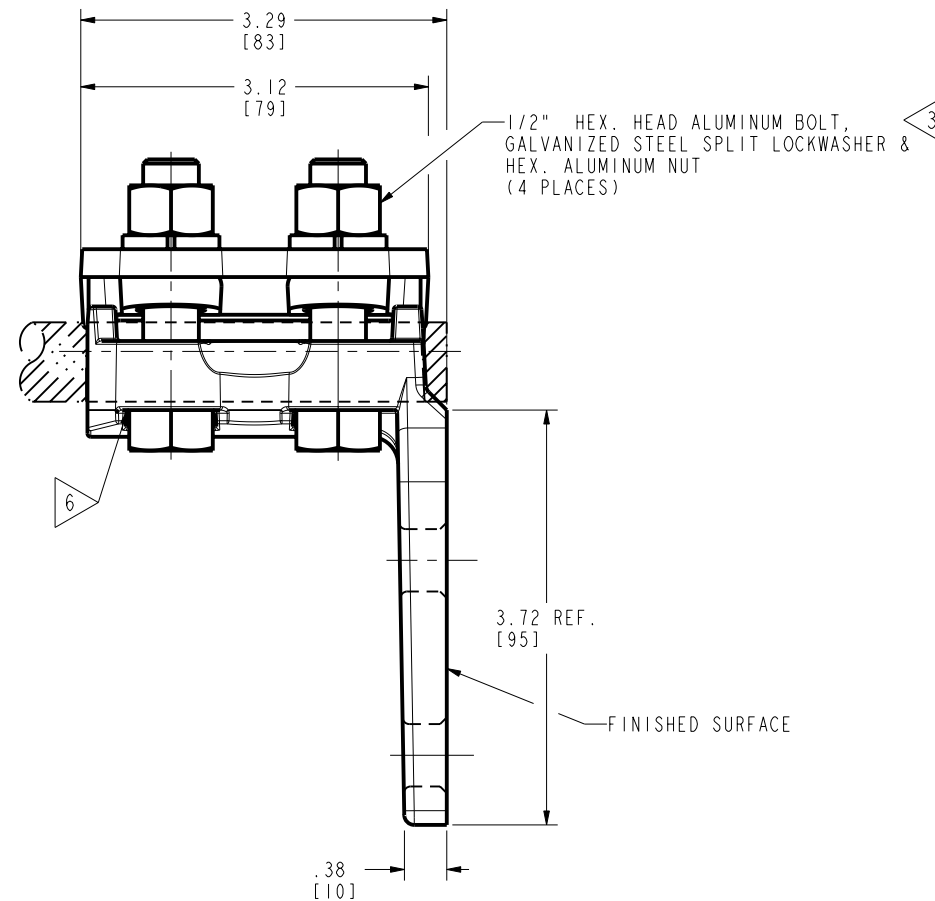
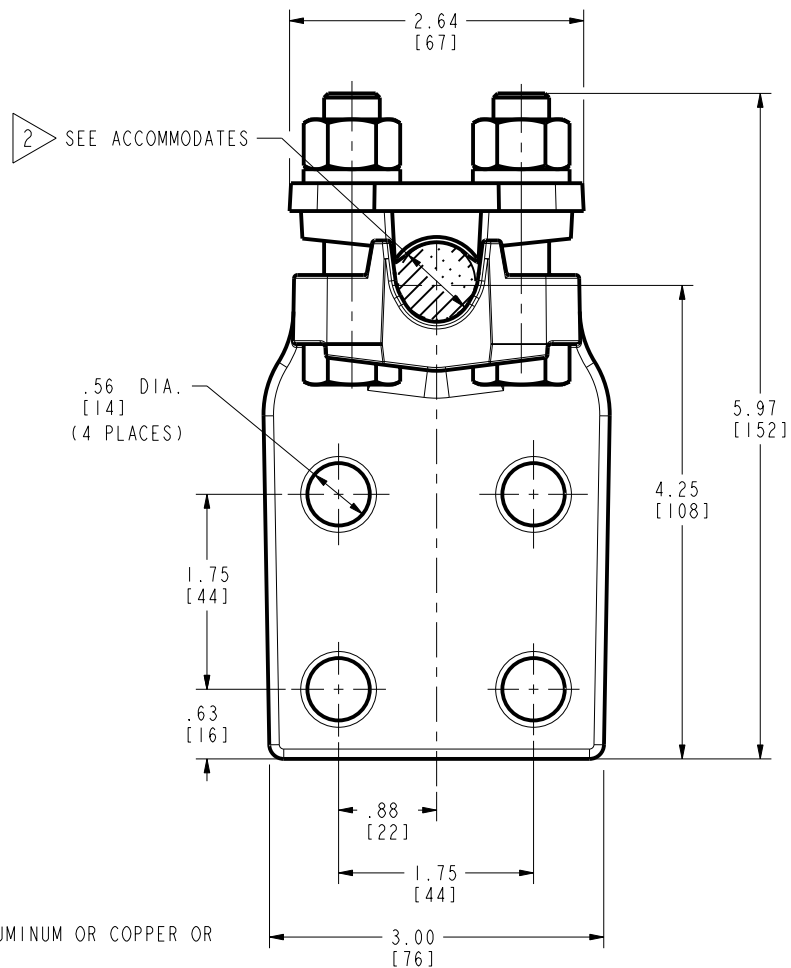
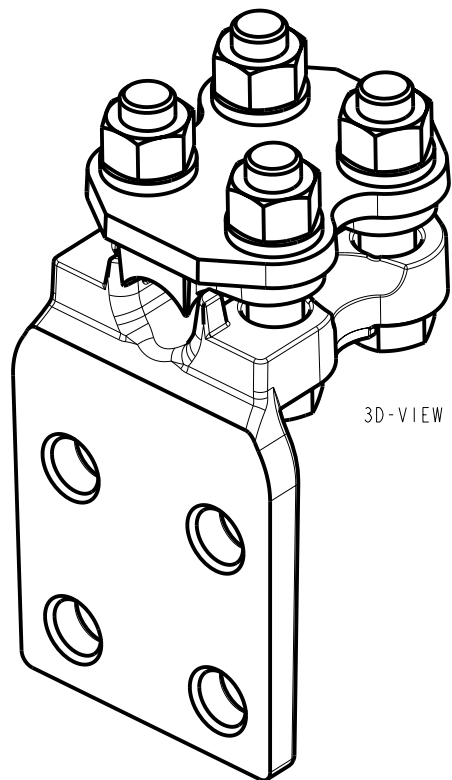


REV	DATE	DESCRIPTION	ECO	BY	C'H'K.
B	09/25/2013 00:00:00 AM	DRAWING RELEASED	33404	MM	NJS



NOTES:

- 1 MATERIAL:
CAST ALUMINUM ALLOY
- 2 ACCOMMODATES:
250 Kcmil (.575 DIA.) - 400 Kcmil (.728 DIA.) ALUMINUM OR COPPER OR 4/0 (6/1 STR.) - 397.5 KCMIL (18/1 STR.) ACSR
- 3 NOMINAL BOLT INSTALLATION TORQUE:
1/2" HEX. ALUMINIUM HARDWARE - 300 LB-IN [35 Nm]
- 4 DIMENSIONS IN BRACKET [] DENOTES METRIC UNITS [SI UNITS] AND ARE ROUNDED TO THE NEAREST WHOLE NUMBER UNLESS OTHERWISE SPECIFIED THESE UNITS SHALL BE USED FOR REFERENCE ONLY.
- 5 PENETROX™ NOTE: SCRATCH BRUSH CONNECTOR CONTACT SURFACE DRY, THEN APPLY PENETROXTM A. PENETROXTM CAN BE PURCHASED FROM BURNDY LLC. IN CANS OR PLASTIC SQUEEZE BOTTLES.
- 6 HEX BOLTS CAPTURED TO PREVENT TURNING DURING INSTALLATION.
- 7 MARKING
BURNDY
NAR32A4N90
250-400 Kcmil CU-AL
4/0 6/1 18/1 ACSR

TO ORDER BURNDY® PRODUCTS CALL		TERMINAL	
UNITED STATES 1-800-346-4175 (LONDONDERRY, NH)		ITEM NO: 25005731	CAT. NO: NAR32A4N90
CANADA: 1-800-361-6975 (QUEBEC) 1-800-387-6487 (ALL OTHER PROVINCES)		DRAWN BY: V ANAND 07/09/09	CHECKER: B SURESH 07/14/09
FOR PRODUCT INFO: http://www.burndy.com		DSN APPVL: R LAVOIE 09/26/13	MFG APPVL: C BECERRIL 10/15/13
		QA APPVL: J MEDINA 10/03/13	MKT APPVL: B MICHAUD 12/04/13
		PROJ #:	SCALE: 1:2
		PROJECT #:	DRAWING NO
		DOCUMENT TYPE: Sales	10102737
		REL LEVEL: Released	SHEET 1 OF 1

REV: PEO200