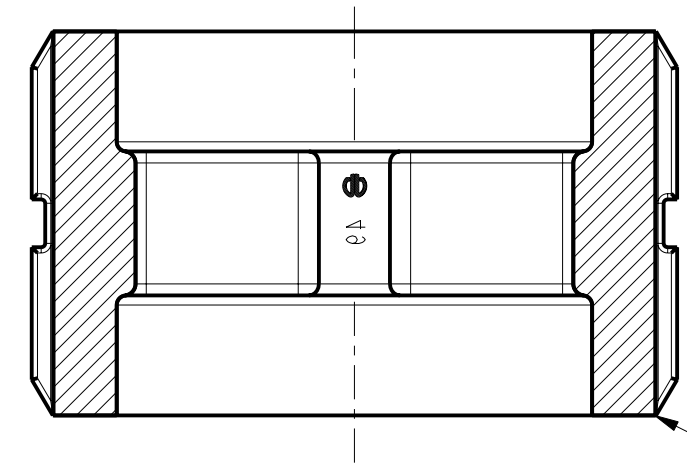
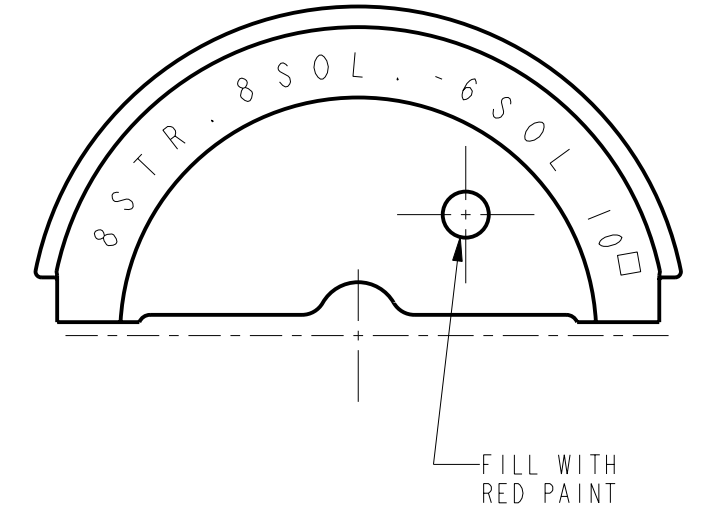
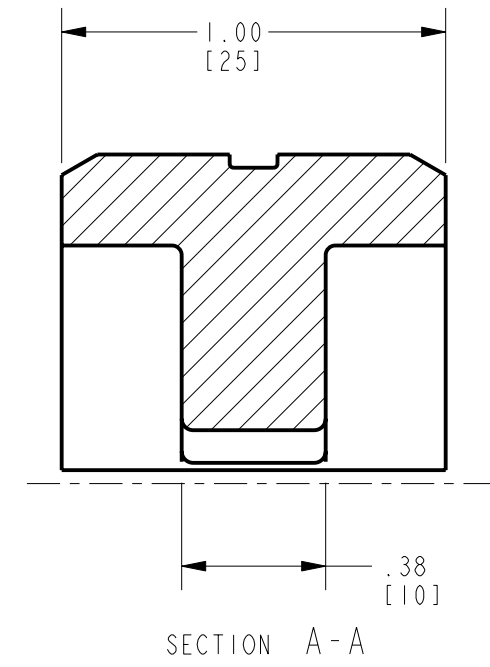
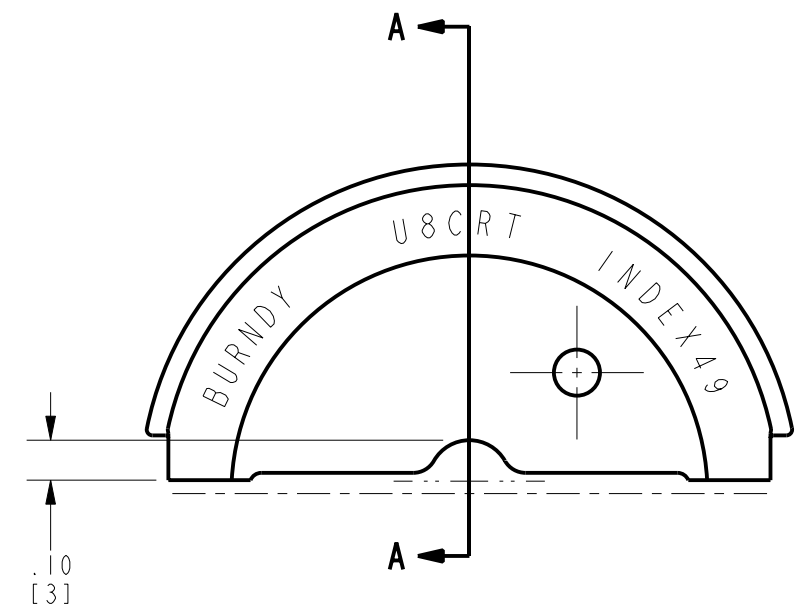


REV.	DATE	DESCRIPTION	ECO	BY	C'H'K.
A	6/12/2009 11:51:00 PM	NEW SALES DRAWING RELEASE	18356	1A	JG



BUTTING SURFACES TO MATING DIES

NOTES:

1. DIMENSIONS IN BRACKETS [] ARE IN MILLIMETERS ROUNDED OFF TO THE NEAREST MILLIMETER, UNLESS OTHERWISE SPECIFIED, AND ARE FOR REFERENCE ONLY.
2. DIE INSPECTION GAUGE CATALOG NUMBER (CUSTOMER & ENGINEERING USE ONLY): UPG-49.
3. 4/0 STR. & SMALLER, THE SAME DIES WILL CRIMP CLASS "B" THRU "M" STRANDING.
4. MATERIAL: STAINLESS STEEL.

TO ORDER BURNDY® PRODUCTS CALL
 UNITED STATES:
 1-800-346-4175 (LONDONDERRY, NH)
 CANADA:
 1-800-361-6975 (QUEBEC)
 1-800-387-6487 (ALL OTHER PROVINCES)
 FOR PRODUCT INFO: <http://www.burndy.com>

CIRCULAR BUTTING TWIN DIE	
ITEM NO: 421275	
CAT. NO: U8CRT	
DRAWN BY: I. ANBALAGAN 06/12/09	
CHECKER: --	
DSN APPVL: --	
MFG APPVL: --	
QA APPVL: --	
MKT APPVL: --	
PROD FAM: TOOLS-HYDRAULIC/U-DIES	SCALE: 2:1
PROJECT #: --	DRAWING NO
DOCUMENT TYPE: Sales	10102815
REL LEVEL: Released	SHEET 1 OF 1



REV: PE0200