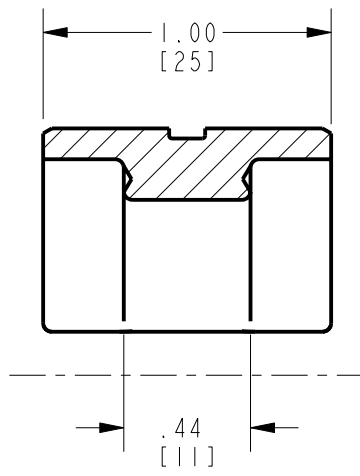
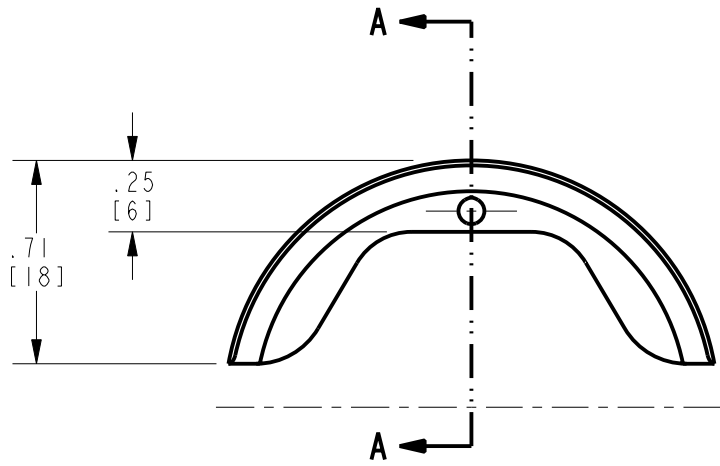
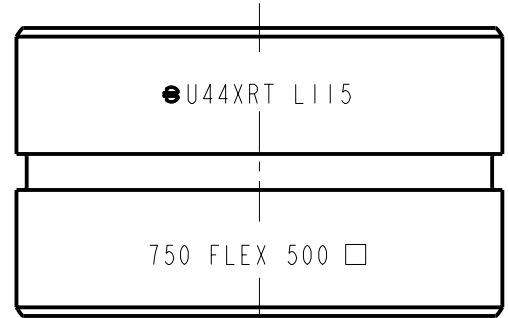
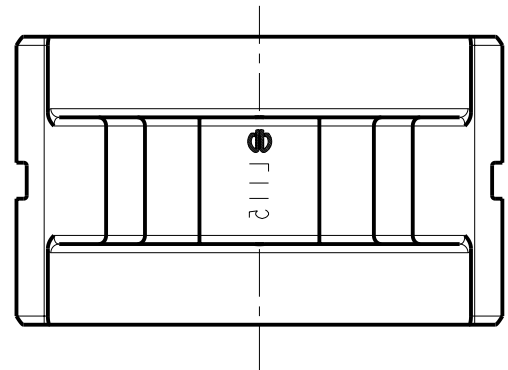
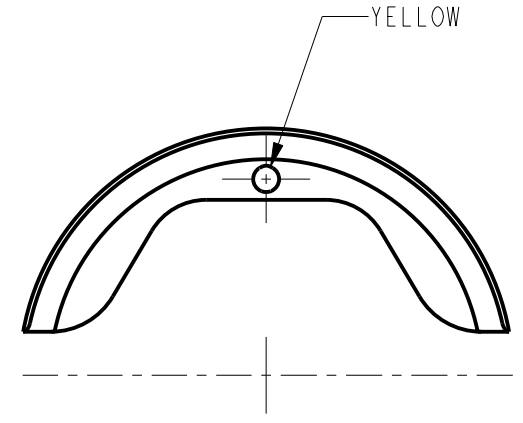


REV.	DATE	DESCRIPTION	ECO	BY	C'H'K.
B	05/02/2013 21:00:00 PM	UPDATE AS PER MARKUPS	31294	MG	JG



SECTION A-A



NOTES:

1. DIMENSIONS IN BRACKETS [] ARE IN MILLIMETERS ROUNDED OFF TO THE NEAREST MILLIMETER, UNLESS OTHERWISE SPECIFIED, AND ARE FOR REFERENCE ONLY.
2. DIE INSPECTION GAGE CATALOG NUMBER (CUSTOMER & ENGINEERING USE ONLY): UPGL-115.
3. MATERIAL: STAINLESS STEEL.

TO ORDER BURNDY® PRODUCTS CALL
 UNITED STATES:
 1-800-346-4175 (LONDONDERRY, NH)
 CANADA:
 1-800-361-6975 (QUEBEC)
 1-800-387-6487 (ALL OTHER PROVINCES)
 FOR PRODUCT INFO: <http://www.burndy.com>

HEXAGONAL NON-BUTTING TWIN DIE		SCALE: 3:2	
ITEM NO:	--	DRAWING NO	REV
CAT. NO:	U44XRT	10102828	B
DRAWN BY:	I. ANBALAGAN 06/22/09	PROJECT #:	--
CHECKER:	--	DOCUMENT TYPE:	Sales
DSN APPVL:	--	REL LEVEL:	Released
MFG APPVL:	--		
QA APPVL:	--		
MKT APPVL:	--		
PROD FAM:	TOOLS-HYDRAULIC/U-DIES		



REV: PE0200