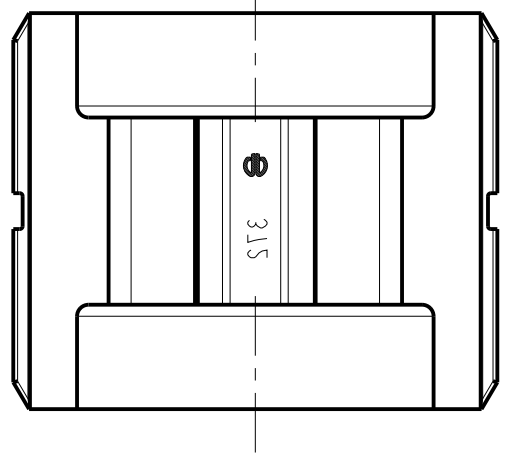
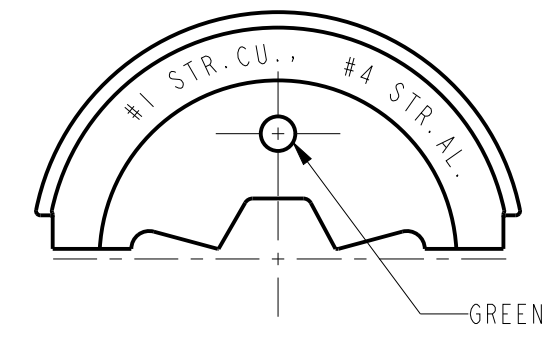
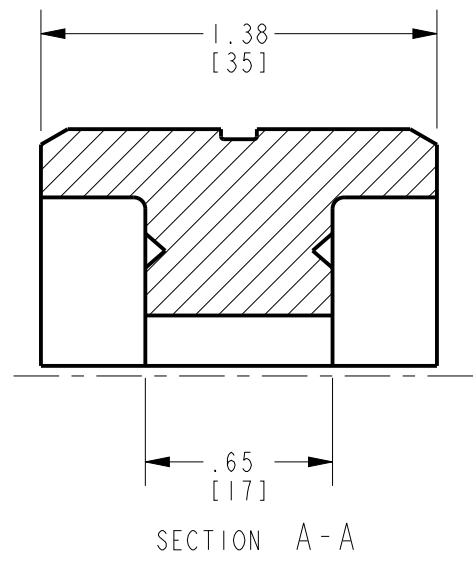
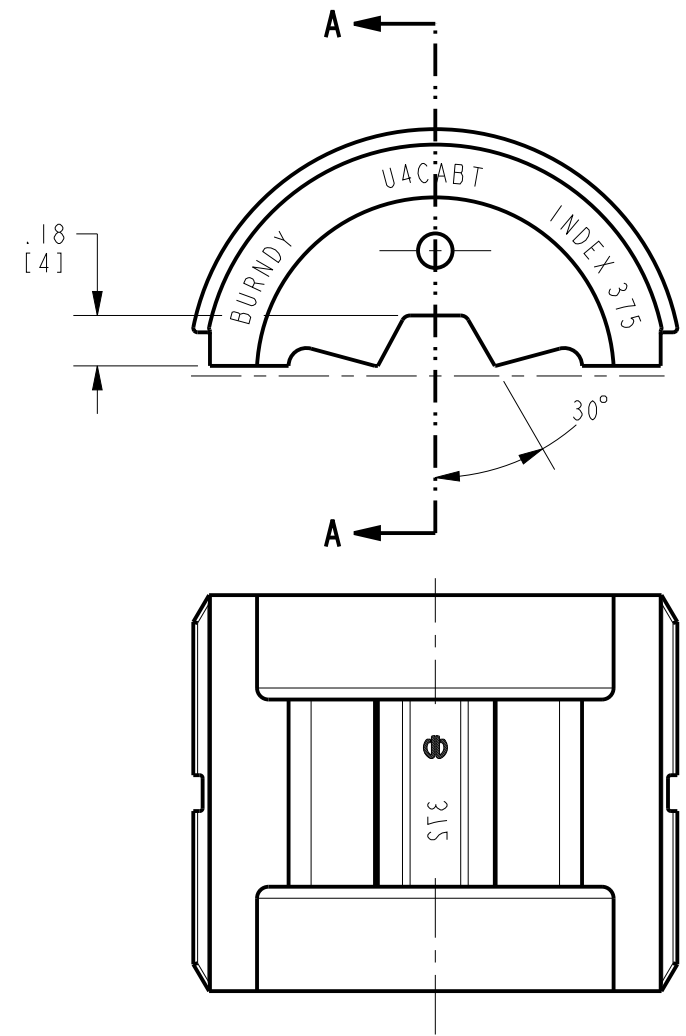


REV.	DATE	DESCRIPTION	ECO	BY	C'H'K.
B	07/06/2009 12:30:00 PM	NEW SALES DRAWING RELEASE	18426	1A	JG



NOTES:

1. DIMENSIONS IN BRACKETS [ ] ARE IN MILLIMETERS ROUNDED OFF TO THE NEAREST MILLIMETER, UNLESS OTHERWISE SPECIFIED, AND ARE FOR REFERENCE ONLY.
2. DIE INSPECTION GAGE CATALOG NUMBER (CUSTOMER & ENGINEERING USE ONLY): UPG-375.
3. MATERIAL: STAINLESS STEEL.

TO ORDER BURNDY® PRODUCTS CALL  
 UNITED STATES:  
 1-800-346-4175 (LONDONDERRY, NH)  
 CANADA:  
 1-800-361-6975 (QUEBEC)  
 1-800-387-6487 (ALL OTHER PROVINCES)  
 FOR PRODUCT INFO: <http://www.burndy.com>

HEXAGONAL BUTTING TWIN DIE	
ITEM NO:	--
CAT. NO:	U4CABT
DRAWN BY:	I. ANBALAGAN 06/26/09
CHECKER:	--
DSN APPVL:	--
MFG APPVL:	--
QA APPVL:	CHARLES 04/19/13
MKT APPVL:	KATHLEEN 04/11/13
PROD FAM:	TOOLS_HYDRAULIC/U-DIES
PROJECT #:	--
DOCUMENT TYPE:	Sales
REL LEVEL:	Released

SCALE: 3:2	DRAWING NO	REV
	10102831	B
	SHEET 1 OF 1	

REV: PE0200