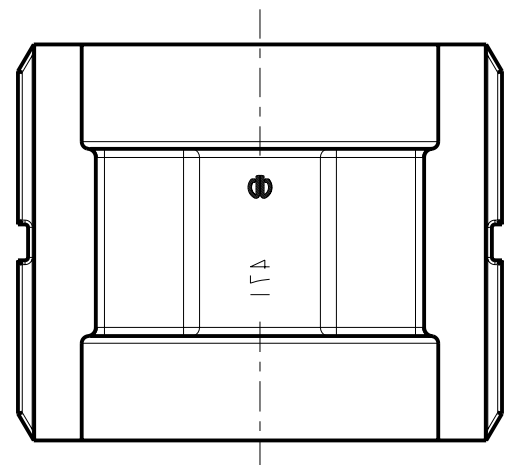
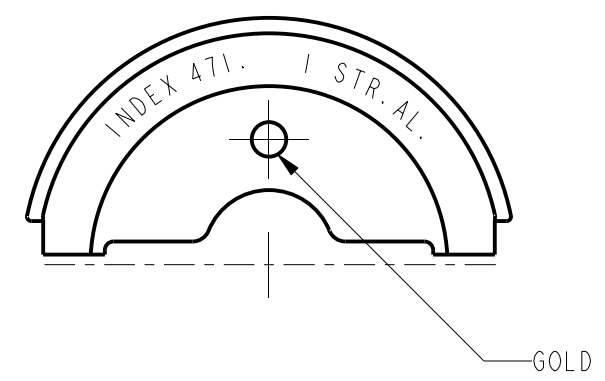
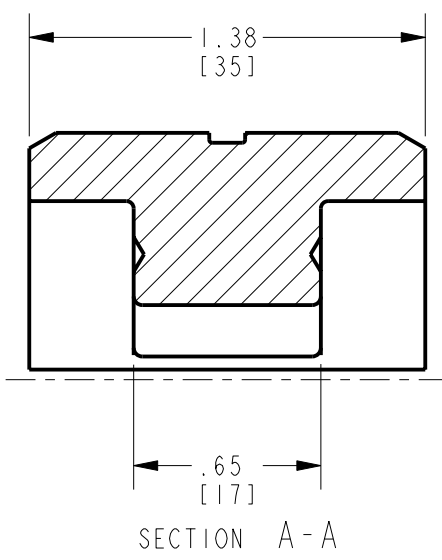
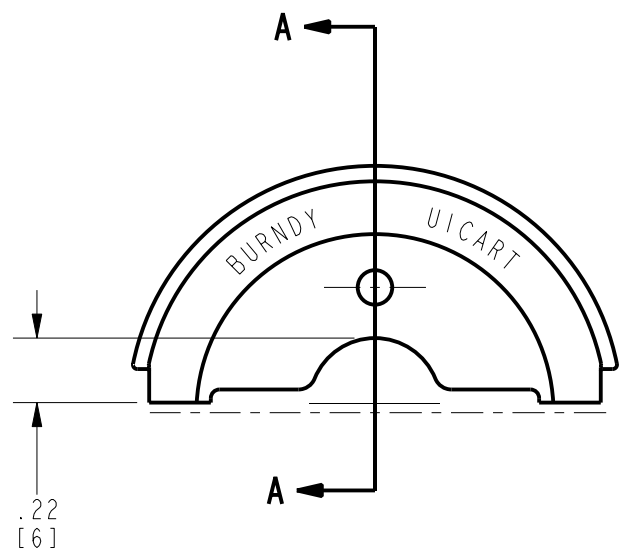


REV.	DATE	DESCRIPTION	ECO	BY	C'H'K.
A	7/6/2009 12:30:00 PM	NEW SALES DRAWING RELEASE	18426	1A	JG



NOTES:

1. DIMENSIONS IN BRACKETS [] ARE IN MILLIMETERS ROUNDED OFF TO THE NEAREST MILLIMETER, UNLESS OTHERWISE SPECIFIED, AND ARE FOR REFERENCE ONLY.
2. DIE INSPECTION GAGE CATALOG NUMBER (CUSTOMER & ENGINEERING USE ONLY): UPG-471.
3. MATERIAL: STAINLESS STEEL.

TO ORDER BURNDY® PRODUCTS CALL
 UNITED STATES:
 1-800-346-4175 (LONDONDERRY, NH)
 CANADA:
 1-800-361-6975 (QUEBEC)
 1-800-387-6487 (ALL OTHER PROVINCES)
 FOR PRODUCT INFO: <http://www.burndy.com>

CIRCULAR BUTTING TWIN DIE		SCALE: 3:2
ITEM NO:	--	DRAWING NO
CAT. NO:	UICART	
DRAWN BY:	I. ANBALAGAN 06/30/09	REV
CHECKER:	--	10102833
DSN APPVL:	--	
MFG APPVL:	--	
QA APPVL:	--	
MKT APPVL:	--	
PROD FAM:	TOOLS-HYDRAULIC/U-DIES	SIZE
PROJECT #:	--	
DOCUMENT TYPE:	Sales	B
REL LEVEL:	Released	SHEET 1 OF 1



REV: PE0200