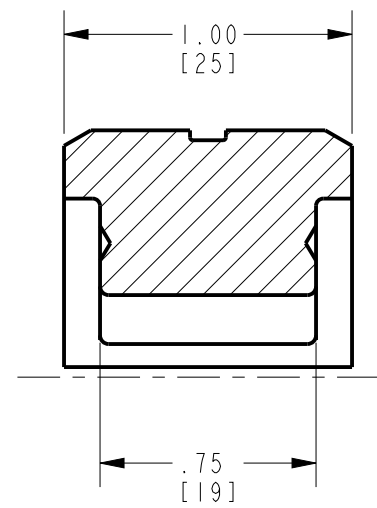
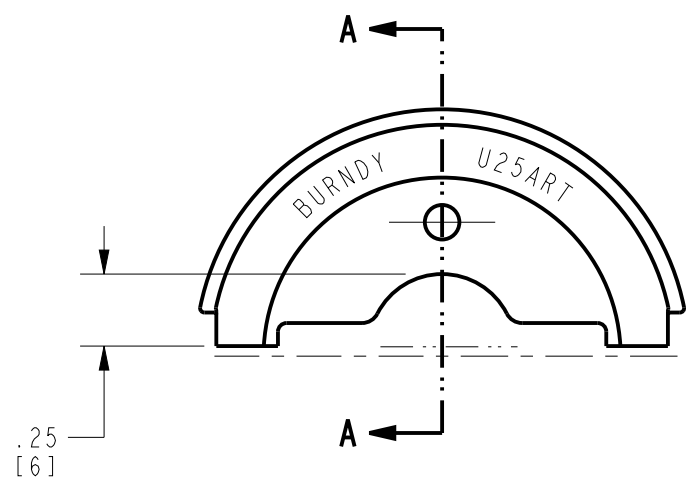
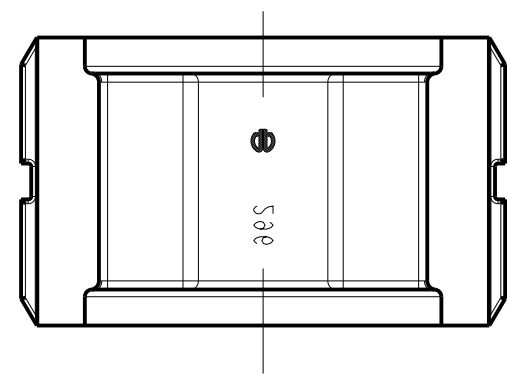
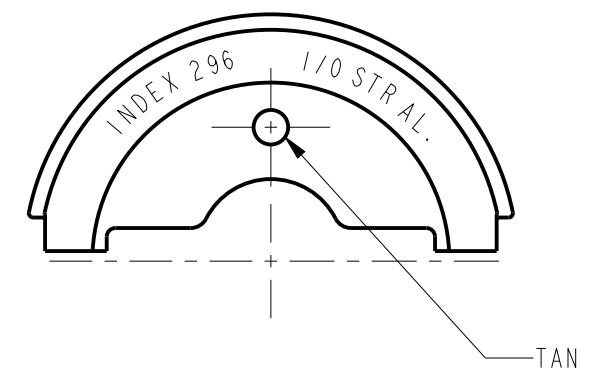


REV.	DATE	DESCRIPTION	ECO	BY	C'H'K.
B	11/30/2012 12:00:00 PM	CORRECT TYPO 10 TO 1/0	29603	TRF	PW



SECTION A-A



NOTES:

1. DIMENSIONS IN BRACKETS [] ARE IN MILLIMETERS ROUNDED OFF TO THE NEAREST MILLIMETER, UNLESS OTHERWISE SPECIFIED, AND ARE FOR REFERENCE ONLY.
2. DIE INSPECTION GAGE CATALOG NUMBER (CUSTOMER & ENGINEERING USE ONLY): UPG-296.
3. MATERIAL: STAINLESS STEEL.

TO ORDER BURNDY® PRODUCTS CALL
 UNITED STATES:
 1-800-346-4175 (LONDONDERRY, NH)
 CANADA:
 1-800-361-6975 (QUEBEC)
 1-800-387-6487 (ALL OTHER PROVINCES)
 FOR PRODUCT INFO: <http://www.burndy.com>

CIRCULAR BUTTING TWIN DIE	
ITEM NO: --	
CAT. NO: U25ART	
DRAWN BY: I. ANBALAGAN 06/30/2009	
CHECKER: J.G. 06/30/2009	
DSN APPVL: R. ROMAN 07/30/2009	
MFG APPVL: --	
QA APPVL: J. AYER 07/31/2009	
MKT APPVL: R. POIRIER 07/30/2009	
PROD FAM: TOOLS_HYDRAULIC/U-DIES	SCALE: 3:2
PROJECT #: --	DRAWING NO
DOCUMENT TYPE: Sales	10102834
REL LEVEL: Released	B

REV: PE0200