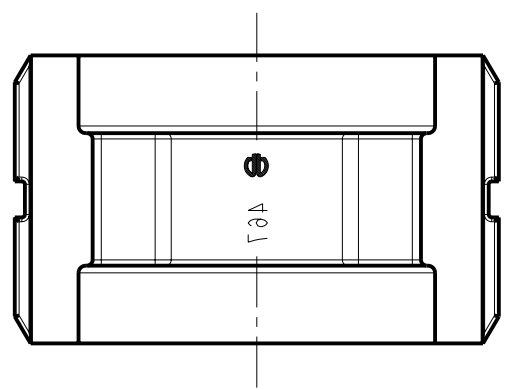
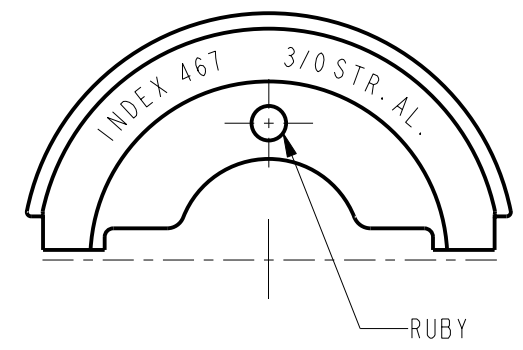
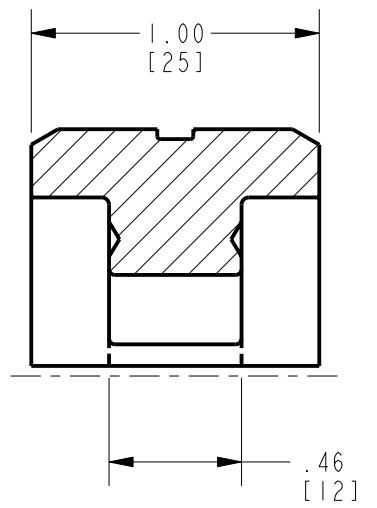
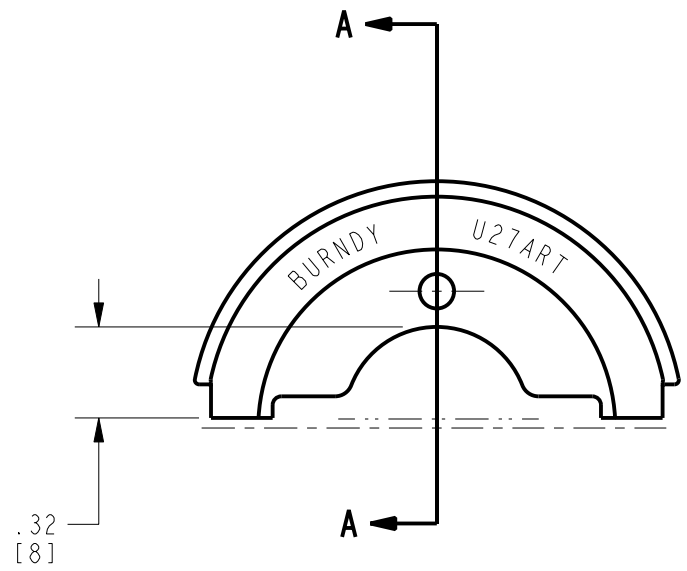


REV.	DATE	DESCRIPTION	ECO	BY	C'H'K.
A	7/6/2009 12:30:00 PM	NEW SALES DRAWING RELEASE	18426	1A	JG



SECTION A-A

NOTES:

1. DIMENSIONS IN BRACKETS [ ] ARE IN MILLIMETERS ROUNDED OFF TO THE NEAREST MILLIMETER, UNLESS OTHERWISE SPECIFIED, AND ARE FOR REFERENCE ONLY.
2. DIE INSPECTION GAGE CATALOG NUMBER (CUSTOMER & ENGINEERING USE ONLY): UPG467.
3. MATERIAL: STAINLESS STEEL.

TO ORDER BURNDY® PRODUCTS CALL  
 UNITED STATES:  
 1-800-346-4175 (LONDONDERRY, NH)  
 CANADA:  
 1-800-361-6975 (QUEBEC)  
 1-800-387-6487 (ALL OTHER PROVINCES)  
 FOR PRODUCT INFO: <http://www.burndy.com>

CIRCULAR BUTTING TWIN DIE			
ITEM NO:	--		
CAT. NO:	U27ART		
DRAWN BY:	I. ANBALAGAN	06/29/09	
CHECKER:	--	--	
DSN APPVL:	--	--	
MFG APPVL:	--	--	
QA APPVL:	--	--	
MKT APPVL:	--	--	
PROD FAM:	TOOLS-HYDRAULIC/U-DIES	DRAWING NO	REV
PROJECT #:	--	10102836	A
DOCUMENT TYPE:	Sales	SIZE	B
REL LEVEL:	Released	SHEET	1 OF 1



REV: PE0200