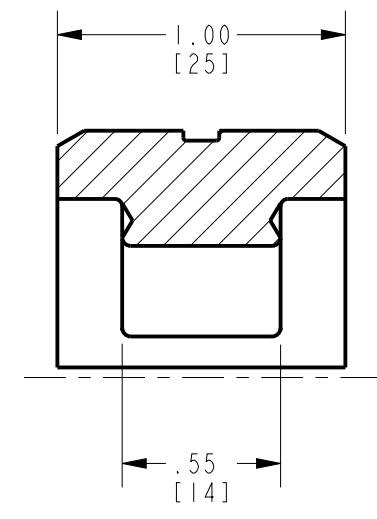
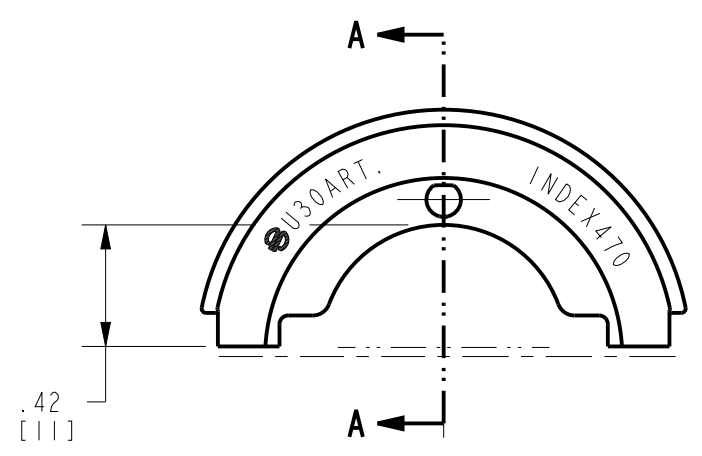
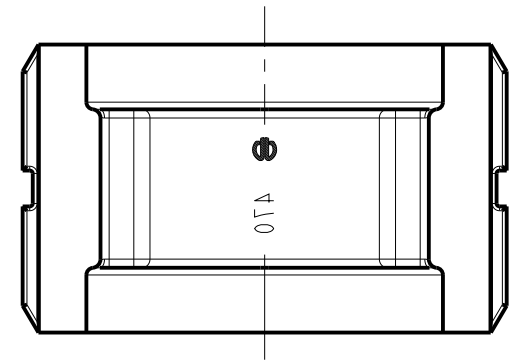
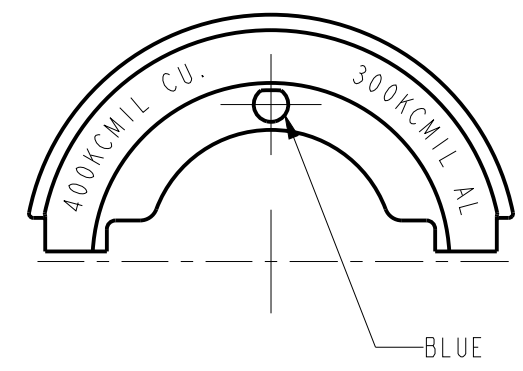


REV.	DATE	DESCRIPTION	ECO	BY	C'H'K.
B	05/05/2017 12:30:00 PM	LOGO UPDATED	46682	SM	MB



SECTION A-A



NOTES:

1. DIMENSIONS IN BRACKETS [] ARE IN MILLIMETERS ROUNDED OFF TO THE NEAREST MILLIMETER, UNLESS OTHERWISE SPECIFIED, AND ARE FOR REFERENCE ONLY.
2. DIE INSPECTION GAGE CATALOG NUMBER (CUSTOMER & ENGINEERING USE ONLY): UPG-470.
3. MATERIAL: STAINLESS STEEL.

TO ORDER BURNDY® PRODUCTS CALL
 UNITED STATES:
 1-800-346-4175 (LONDONDERRY, NH)
 CANADA:
 1-800-361-6975 (QUEBEC)
 1-800-387-6487 (ALL OTHER PROVINCES)
 FOR PRODUCT INFO: <http://www.burndy.com>

CIRCULAR BUTTING TWIN DIE	
ITEM NO:	--
CAT. NO:	U30ART
DRAWN BY:	I. ANBALAGAN 07/01/09
CHECKER:	--
DSN APPVL:	--
MFG APPVL:	--
QA APPVL:	J. BRODEUR 6/2/17
MKT APPVL:	--
PROD FAM:	TOOLS_HYDRAULIC/U-DIES
PROJECT #:	--
DOCUMENT TYPE:	Sales
REL LEVEL:	Released
SCALE:	3:2
DRAWING NO:	10102839
REV:	B
SHEET 1 OF 1	



REV: PE0200