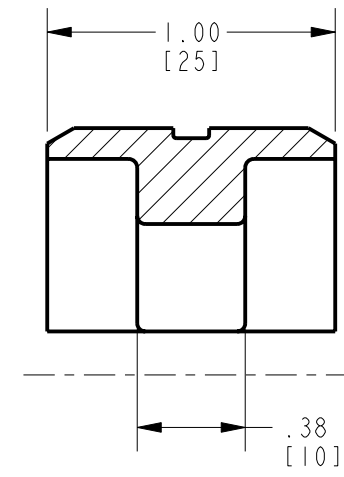
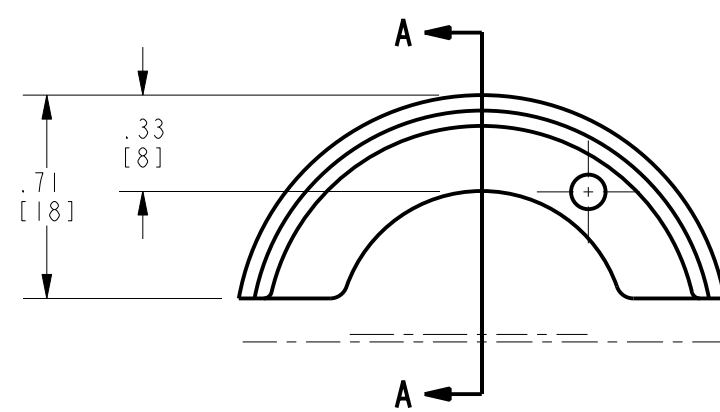
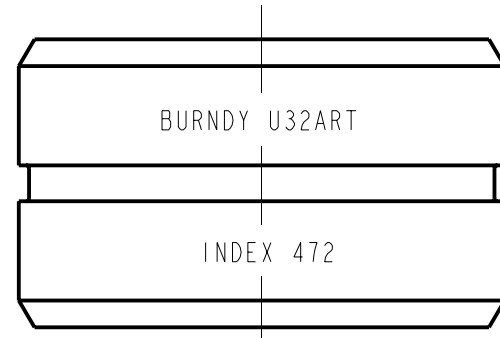
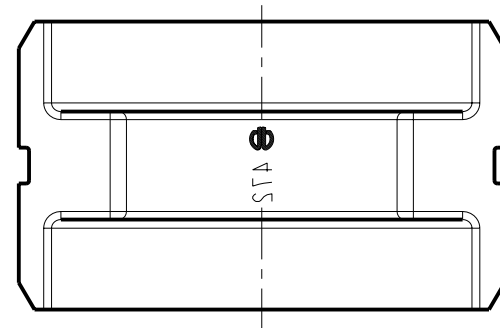
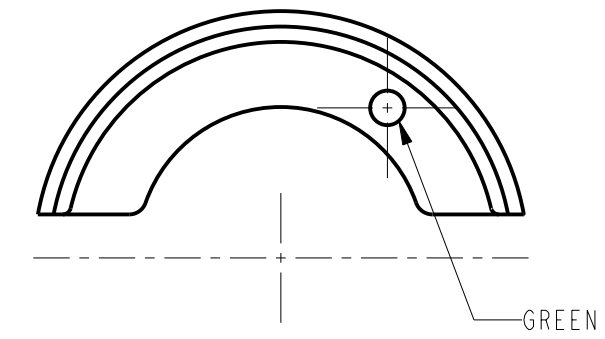


REV.	DATE	DESCRIPTION	ECO	BY	C'H'K.
A	7/6/2009 12:30:00 PM	NEW SALES DRAWING RELEASE	18427	1A	JG



SECTION A-A



NOTES:

1. DIMENSIONS IN BRACKETS [ ] ARE IN MILLIMETERS ROUNDED OFF TO THE NEAREST MILLIMETER, UNLESS OTHERWISE SPECIFIED, AND ARE FOR REFERENCE ONLY.
2. DIE INSPECTION GAGE CATALOG NUMBER (CUSTOMER & ENGINEERING USE ONLY): UPG472.
3. MATERIAL: STAINLESS STEEL.

TO ORDER BURNDY® PRODUCTS CALL		CIRCULAR NON-BUTTING TWIN DIE	
UNITED STATES:		ITEM NO: --	
1-800-346-4175 (LONDONDERRY, NH)		CAT. NO: U32ART	
CANADA:		DRAWN BY: I. ANBALAGAN 07/01/09	
1-800-361-6975 (QUEBEC)		CHECKER: --	
1-800-387-6487 (ALL OTHER PROVINCES)		DSN APPVL: --	
FOR PRODUCT INFO: <a href="http://www.burndy.com">http://www.burndy.com</a>		MFG APPVL: --	
		QA APPVL: --	
		MKT APPVL: --	
		PROD FAM: TOOLS-HYDRAULIC/U-DIES	
		PROJECT #: --	
		DOCUMENT TYPE: Sales	
		REL LEVEL: Released	
		SCALE: 3:2	
		DRAWING NO	
		10102841	
		REV	
		A	
		SHEET 1 OF 1	

REV: PE0200