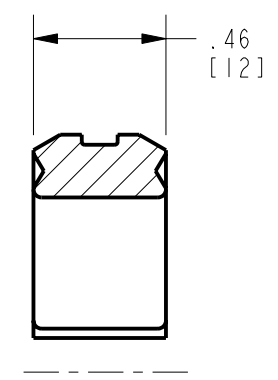
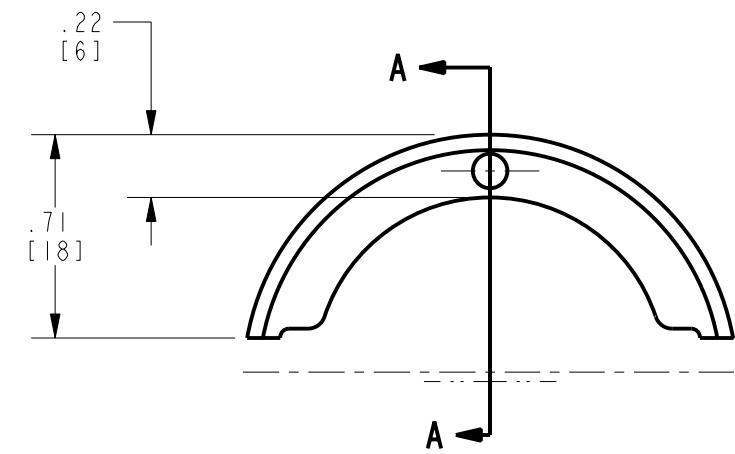
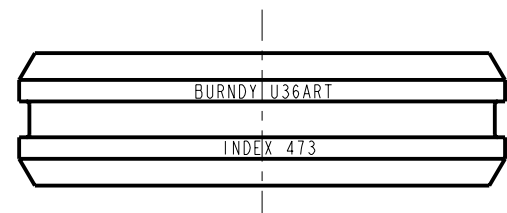
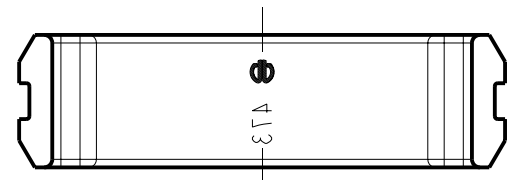
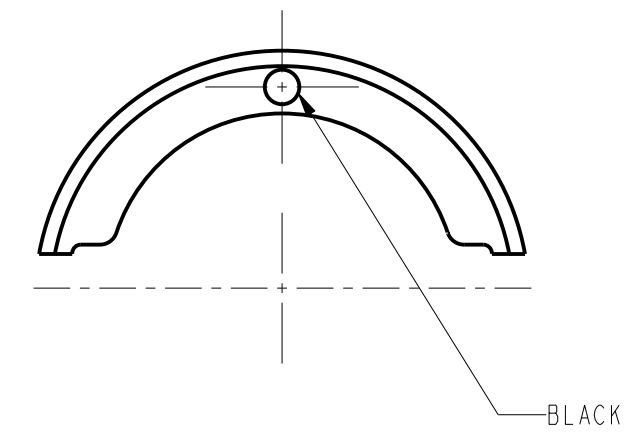


REV.	DATE	DESCRIPTION	ECO	BY	C'H'K.
A	7/6/2009 12:30:00 PM	NEW SALES DRAWING RELEASE	18427	IA	JG



SECTION A-A



NOTES:

1. DIMENSIONS IN BRACKETS [] ARE IN MILLIMETERS ROUNDED OFF TO THE NEAREST MILLIMETER, UNLESS OTHERWISE SPECIFIED, AND ARE FOR REFERENCE ONLY.
2. DIE INSPECTION GAGE CATALOG NUMBER (CUSTOMER & ENGINEERING USE ONLY): UPG473.
3. MATERIAL: STAINLESS STEEL.

TO ORDER BURNDY® PRODUCTS CALL
 UNITED STATES:
 1-800-346-4175 (LONDONDERRY, NH)
 CANADA:
 1-800-361-6975 (QUEBEC)
 1-800-387-6487 (ALL OTHER PROVINCES)
 FOR PRODUCT INFO: <http://www.burndy.com>

CIRCULAR NON-BUTTING TWIN DIE		SCALE: 3:2	
ITEM NO: --	DRAWING NO		
CAT. NO: U36ART	REV		
DRAWN BY: I. ANBALAGAN 07/02/09	10102843		
CHECKER: --	A		
DSN APPVL: --	SHEET 1 OF 1		
MFG APPVL: --	B		
QA APPVL: --	A		
MKT APPVL: --	A		
PROD FAM: TOOLS-HYDRAULIC/U-DIES	A		
PROJECT #: --	A		
DOCUMENT TYPE: Sales	A		
REL LEVEL: Released	A		

REV: PE0200