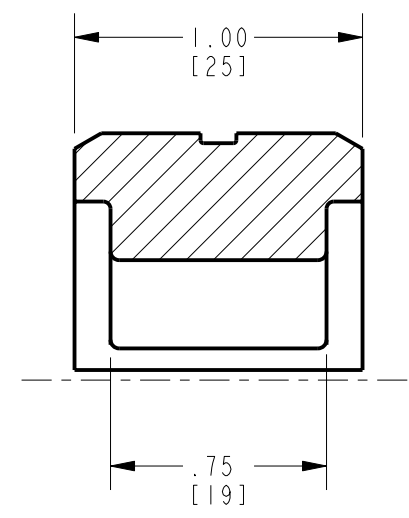
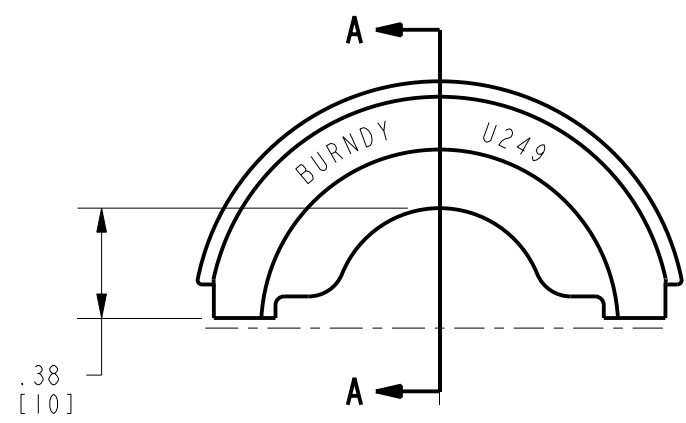
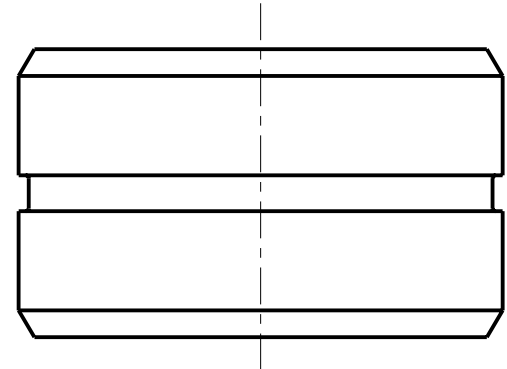
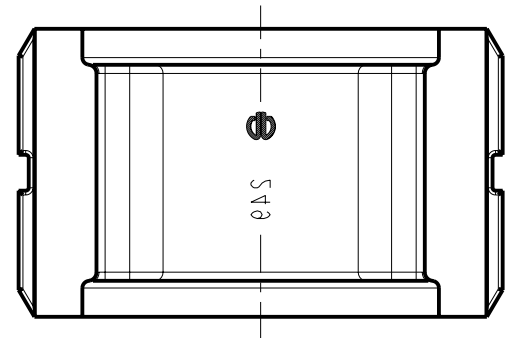
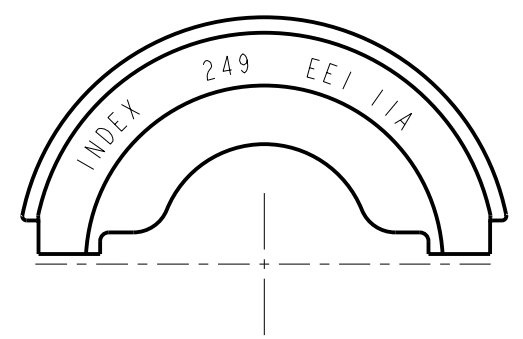


REV.	DATE	DESCRIPTION	ECO	BY	C'H'K.
A	7/31/2009 11:55:00 AM	SALES DRAWINGS RELEASE	18739	IA	JG



SECTION A-A



NOTES:

1. DIMENSIONS IN BRACKETS [] ARE IN MILLIMETERS ROUNDED OFF TO THE NEAREST MILLIMETER, UNLESS OTHERWISE SPECIFIED, AND ARE FOR REFERENCE ONLY.
2. DIE INSPECTION GAGE CATALOG NUMBER (CUSTOMER & ENGINEERING USE ONLY): N/A.
3. CONNECTOR INSPECTION GAGE NUMBER (CUSTOMER & ENGINEERING USE ONLY): UG28R.
4. MATERIAL: STAINLESS STEEL.

TO ORDER BURNDY® PRODUCTS CALL
 UNITED STATES:
 1-800-346-4175 (LONDONDERRY, NH)
 CANADA:
 1-800-361-6975 (QUEBEC)
 1-800-387-6487 (ALL OTHER PROVINCES)
 FOR PRODUCT INFO: <http://www.burndy.com>

CIRCULAR BUTTING TWIN DIE	
ITEM NO: N/A	
CAT. NO: U249	
DRAWN BY: I. ANBALAGAN 07/31/09	
CHECKER: --	
DSN APPVL: --	
MFG APPVL: --	
QA APPVL: --	
MKT APPVL: --	
PROD FAM: TOOLS/HYDRAULIC/U-DIES	SCALE: 3:2
PROJECT #: --	DRAWING NO
DOCUMENT TYPE: Sales	10104956
REL LEVEL: Released	B
	SHEET 1 OF 1



REV: PE0200