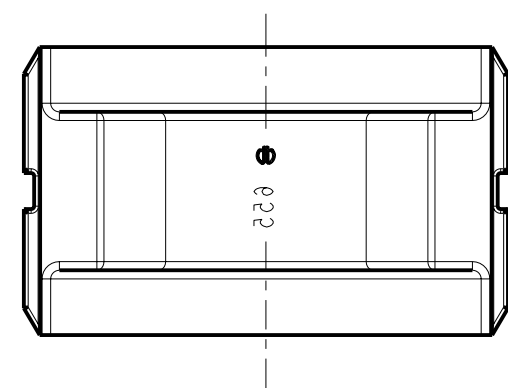
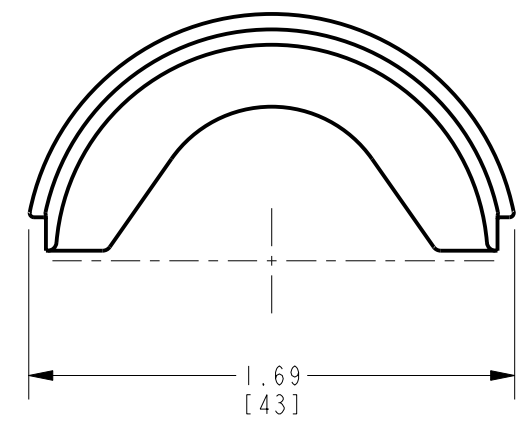
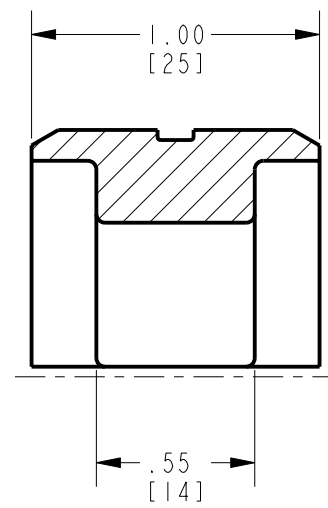
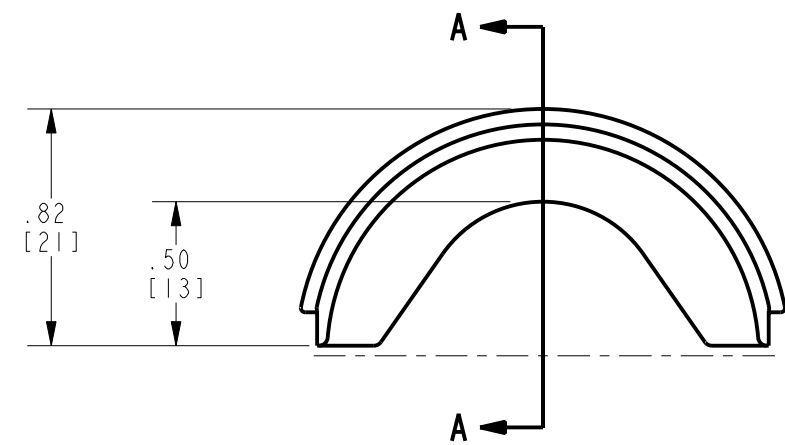
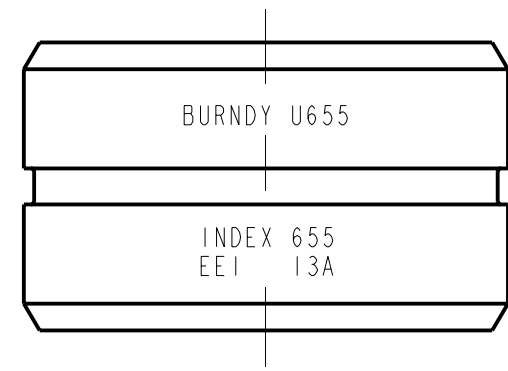


REV.	DATE	DESCRIPTION	ECO	BY	C'H'K.
A	8/8/2009 9:45:00 AM	NEW SALES DRAWING RELEASE	18772	1A	JG



NOTES:

1. DIMENSIONS IN BRACKETS [] ARE IN MILLIMETERS ROUNDED OFF TO THE NEAREST MILLIMETER, UNLESS OTHERWISE SPECIFIED, AND ARE FOR REFERENCE ONLY.
2. CATALOG NUMBER U655 CONSISTS OF TWO SINGLE DIES AS SHOWN.
3. MATERIAL: STAINLESS STEEL.

TO ORDER BURNDY® PRODUCTS CALL
 UNITED STATES:
 1-800-346-4175 (LONDONDERRY, NH)
 CANADA:
 1-800-361-6975 (QUEBEC)
 1-800-387-6487 (ALL OTHER PROVINCES)
 FOR PRODUCT INFO: <http://www.burndy.com>

RADIAL BUTTING TWIN DIE	
ITEM NO: --	
CAT. NO: U655	
DRAWN BY: I. ANBALAGAN 08/08/09	
CHECKER: R. ROMAN 09-09-09	
DSN APPVL: R. ROMAN 09-09-09	
MFG APPVL: S. HOPPS 09-14-09	
QA APPVL: C. ACKERMAN 09-10-09	
MKT APPVL: R. POIRRIER 10-02-09	
PROD FAM: TOOLS/HYDRAULIC DIES	SCALE: 3:2
PROJECT #: --	DRAWING NO
DOCUMENT TYPE: Sales	10105294
REL LEVEL: Released	B
	SHEET 1 OF 1



REV: PE0200