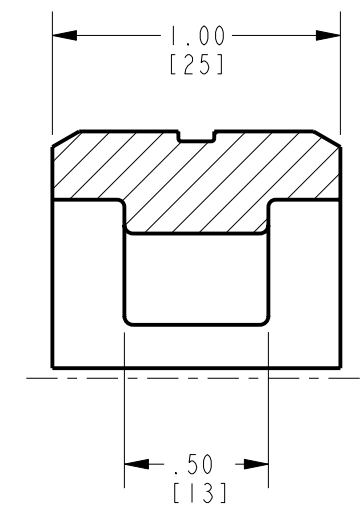
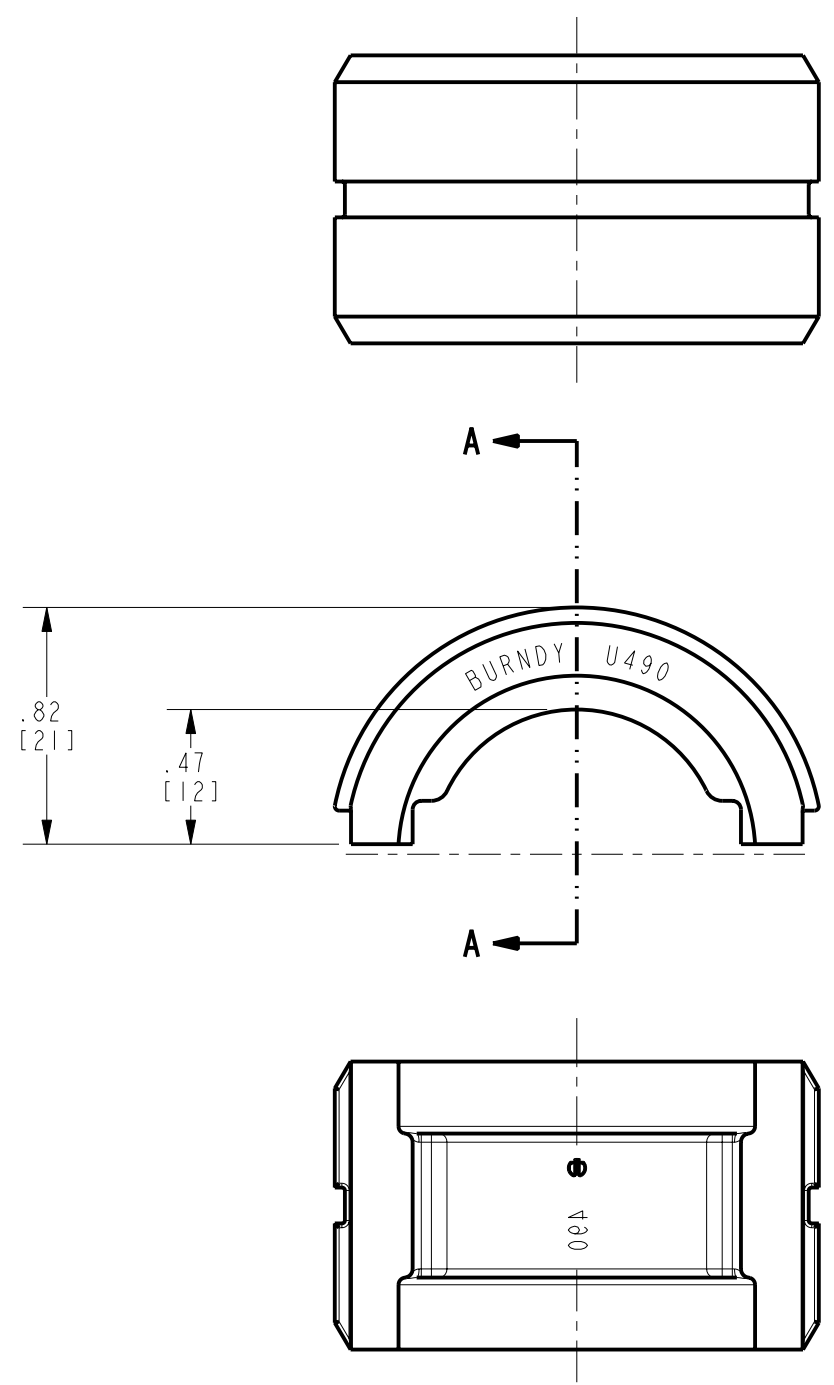
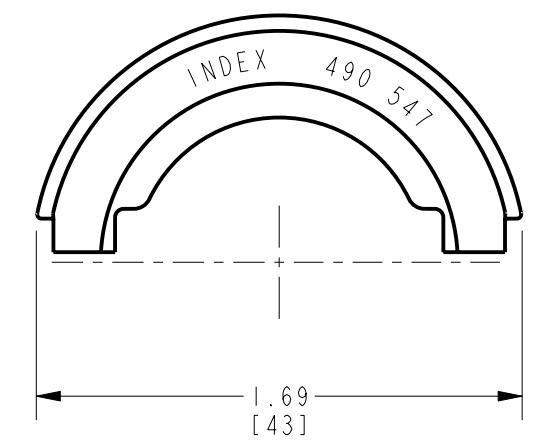


REV.	DATE	DESCRIPTION	ECO	BY	C'H'K.
A	8/8/2009 9:45:00 AM	NEW SALES DRAWING RELEASE	18772	1A	JG



SECTION A-A



NOTES:

1. DIMENSIONS IN BRACKETS [] ARE IN MILLIMETERS ROUNDED OFF TO THE NEAREST MILLIMETER, UNLESS OTHERWISE SPECIFIED, AND ARE FOR REFERENCE ONLY.
2. CATALOG NUMBER U490 CONSISTS OF TWO SINGLE DIES AS SHOWN.
3. CONNECTOR INSPECTION GAGE NUMBER (FOR CUSTOMER AND ENGINEER USE ONLY): UG321R.
4. MATERIAL: STAINLESS STEEL.

TO ORDER BURNDY® PRODUCTS CALL
 UNITED STATES:
 1-800-346-4175 (LONDONDERRY, NH)
 CANADA:
 1-800-361-6975 (QUEBEC)
 1-800-387-6487 (ALL OTHER PROVINCES)
 FOR PRODUCT INFO: <http://www.burndy.com>

CIRCULAR BUTTING TWIN DIE	
ITEM NO: --	
CAT. NO: U490	
DRAWN BY: I. ANBALAGAN 08-08-09	
CHECKER: R. ROMAN 09-09-09	
DSN APPVL: R. ROMAN 09-09-09	
MFG APPVL: S. HOPPS 09-14-09	
QA APPVL: C. ACKERMAN 09-10-09	
MKT APPVL: R. POIRRIER 10-02-09	
PROD FAM: TOOLS/HYDRAULIC DIES	SCALE: 3:2
PROJECT #: --	DRAWING NO
DOCUMENT TYPE: Sales	10105296
REL LEVEL: Released	B
	SHEET 1 OF 1



REV: PE0200