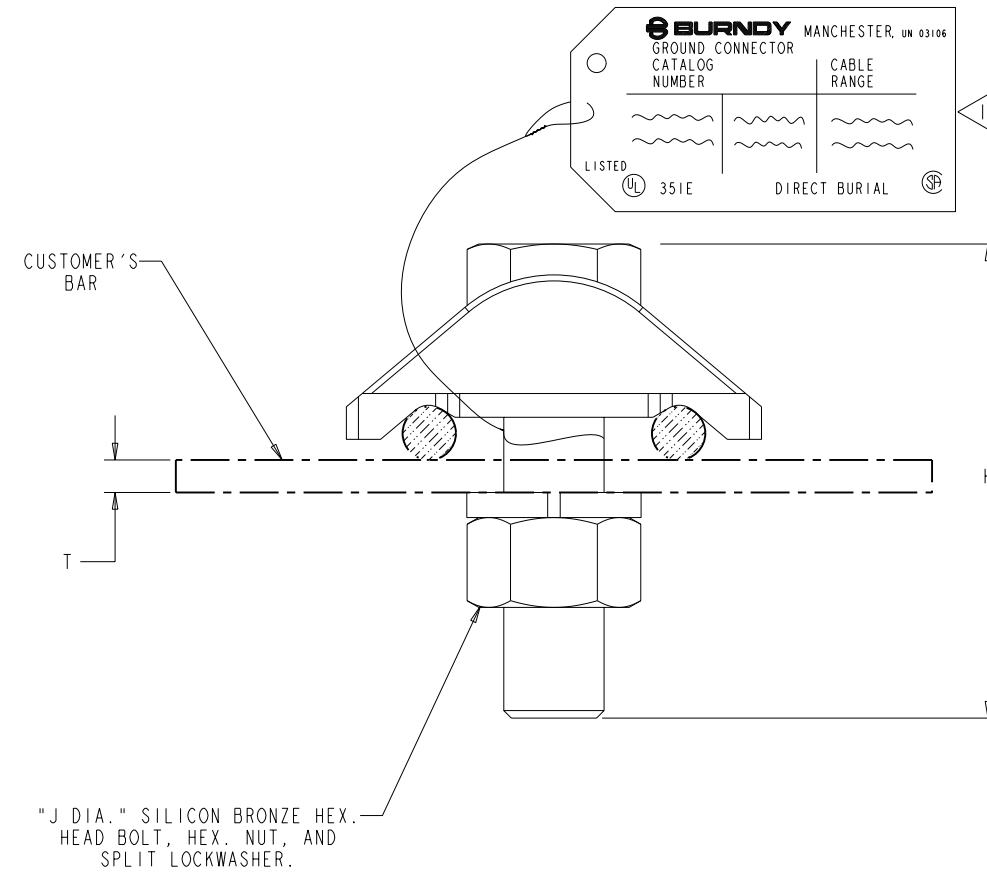
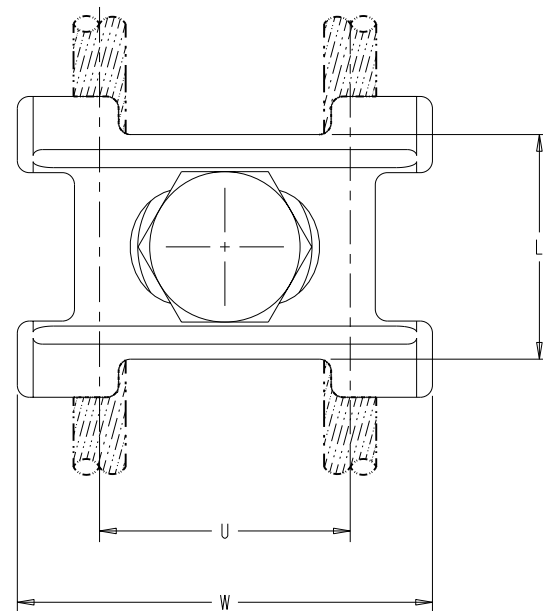


DRAWING NO.  
10105520

CATALOG NO.	COMMERCIAL COPPER CABLE	METRIC COPPER CABLE	H	J DIA.	L	U	W	T	TORQUE	
									Lb*in	N*m
GCM30	4 STR. (.232) 300 kcmil (.630)	16 mm <sup>2</sup> STR. [5.13] 150 mm <sup>2</sup> STR. [16]	2.00 [51]	1/2-13 [M12]	1.50 [38]	.25 [6.35]	2.21 [56]	1/4" [6.35]	480	54.1

REV	DATE	DESCRIPTION	ECO	BY	C'H'K.
B	08/25/2014 00:00:00 AM	*CSA* SYMBOL ADDED TO THE DRAWING	37457	DK	MA



NOTES:

- UL 467 LISTED, FILE NO. E9999. SUITABLE FOR DIRECT BURIAL IN CONCRETE OR GROUND.
- DIMENSIONS IN BRACKETS [ ] ARE IN MILLIMETERS ROUNDED OFF TO THE NEAREST MILLIMETER, UNLESS OTHERWISE NOTED, AND ARE FOR REFERENCE ONLY.
- MATERIAL: CAST COPPER ALLOY.

TO ORDER BURNDY® PRODUCTS CALL		GROUND CONNECTOR	
UNITED STATES 1-800-346-4175 (LONDONDERRY, NH)		ITEM NO: N/A	CAT. NO: GCM30
CANADA: 1-800-361-6975 (QUEBEC) 1-800-387-6487 (ALL OTHER PROVINCES)		DRAWN BY: B SURESH BABU 9/10/09	CHECKER: M AYYAPPAN 9/11/09
FOR PRODUCT INFO: <a href="http://www.burndy.com">http://www.burndy.com</a>		DSN APPVL: --	MFG APPVL: --
		QA APPVL: --	MKT APPVL: --
		PROJ #:	SCALE: 2.250
		SIZE: D	DRAWING NO: 10105520
		REL LEVEL: Released	REV: B
		SHEET 1 OF 1	

REV: PE0200