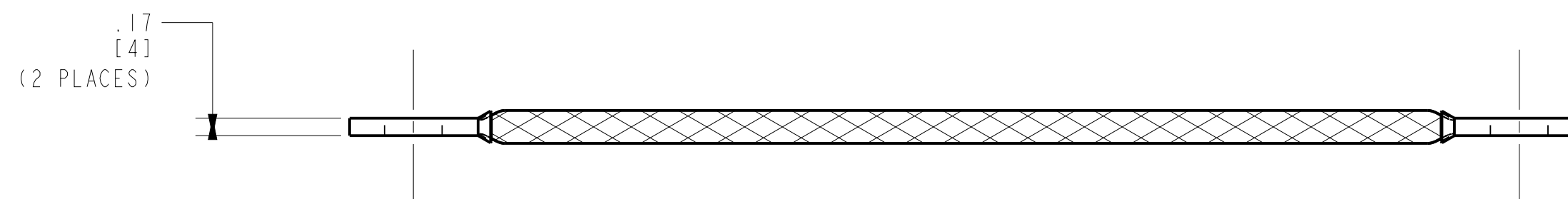
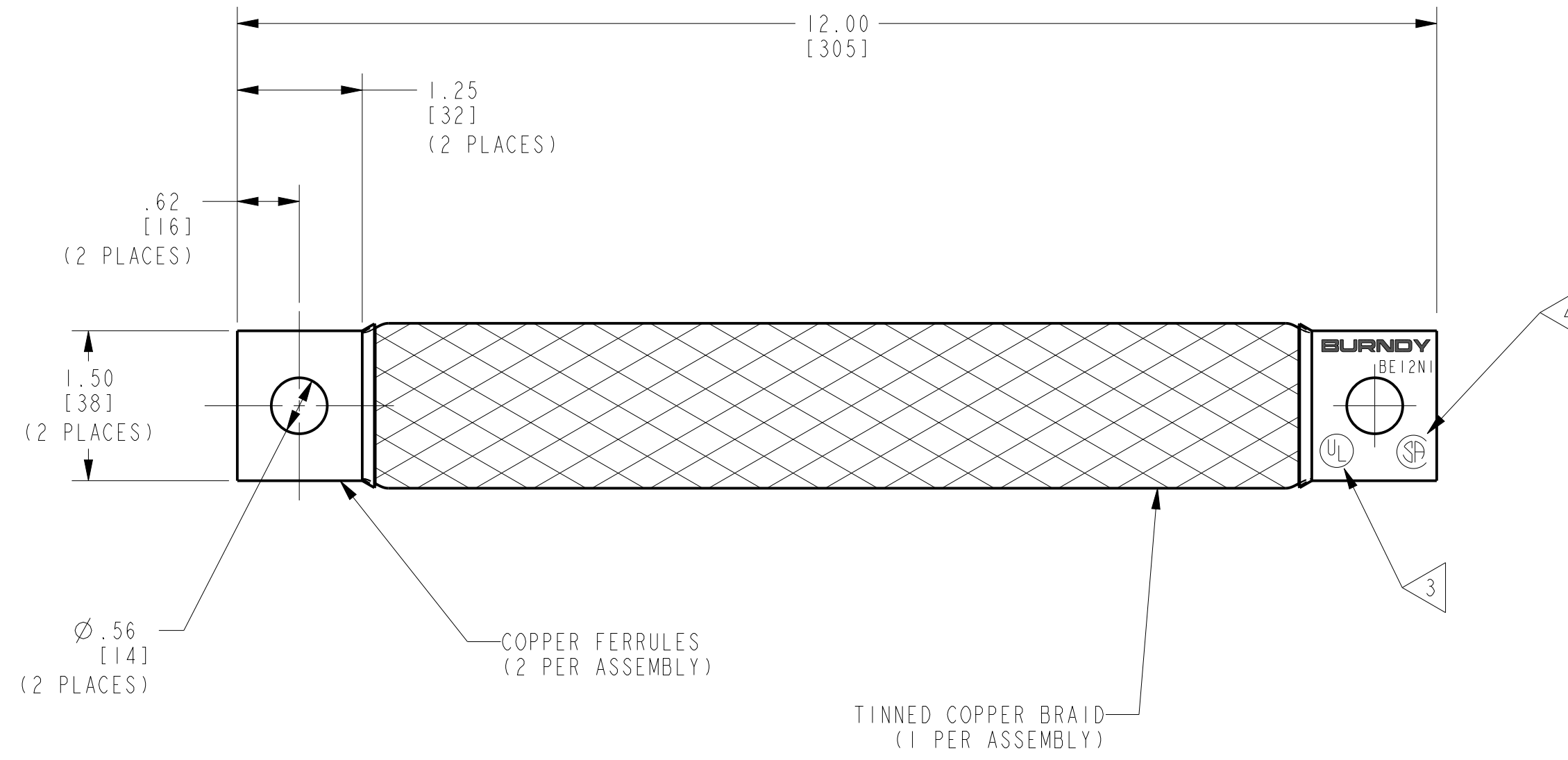
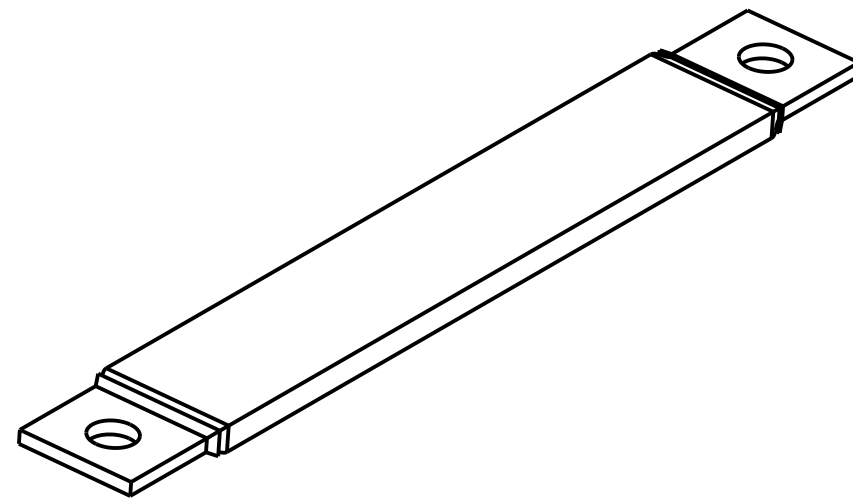


REV	DATE	DESCRIPTION	ECO	BY	C'H'K.
B	05/05/2017 09:20:00 AM	LOGO UPDATED	46677	SM	MB



NOTES:

1. DIMENSIONS IN BRACKETS [] ARE IN MILLIMETERS ROUNDED OFF TO THE NEAREST MILLIMETER, UNLESS OTHERWISE SPECIFIED, AND ARE FOR REFERENCE ONLY.

2. APPROXIMATE AMP RATING: 340 INDOOR, 405 OUTDOOR
THIS MAY VARY WITH AMBIENT CONDITIONS, ORIENTATION OF THE BRAID AND OTHER SERVICE CONDITIONS.

3 'UL' SYMBOL FOR INTERNAL SPECIFICATION L4219, LOCATION AND SIZE TO BE DETERMINED BY MANUFACTURING.

4 'CSA' SYMBOL PER INTERNAL SPECIFICATION L4591, LOCATION AND SIZE TO BE DETERMINED BY MANUFACTURING.

TO ORDER BURNDY® PRODUCTS CALL

UNITED STATES:
1-800-346-4175 (LONDONDERRY, NH)

CANADA:
1-800-361-6975 (QUEBEC)
1-800-387-6487 (ALL OTHER PROVINCES)

FOR PRODUCT INFO: <http://www.burndy.com>

BRAID	
ITEM NO:	10102097
CAT. NO:	BE12NI
DRAWN BY:	R. BOISVERT 09/09/09
CHECKER:	J. PARKER 09/10/09
DSN APPVL:	J. PARKER 08/20/09
MFG APPVL:	C. MARTINEZ 09/03/09
QA APPVL:	J. BRODEUR 09/01/09
MKT APPVL:	P. THERRIEN 08/20/09
PROD FAM:	--
PROJECT #:	--
DOCUMENT TYPE:	Sales
REL LEVEL:	Released

SCALE: 3:4

DRAWING NO	10105628
REV	B

SHEET 1 OF 1

REV: PE0200

A

A