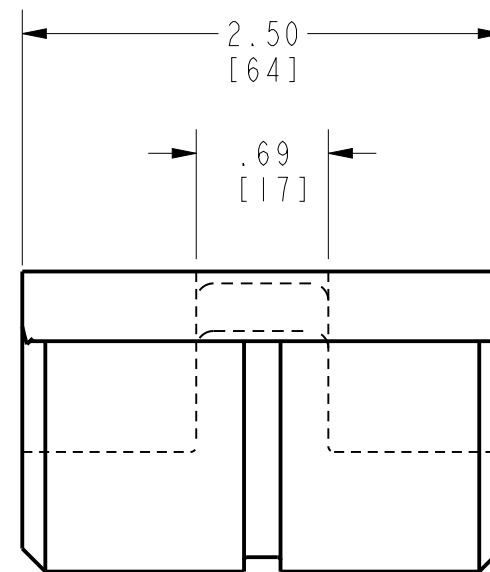
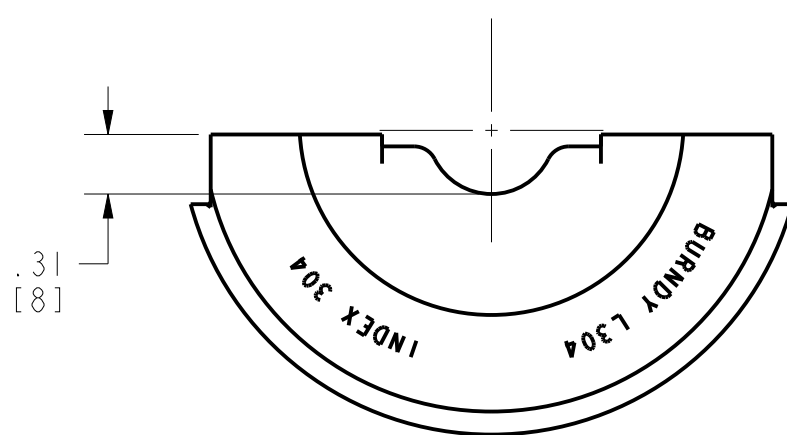
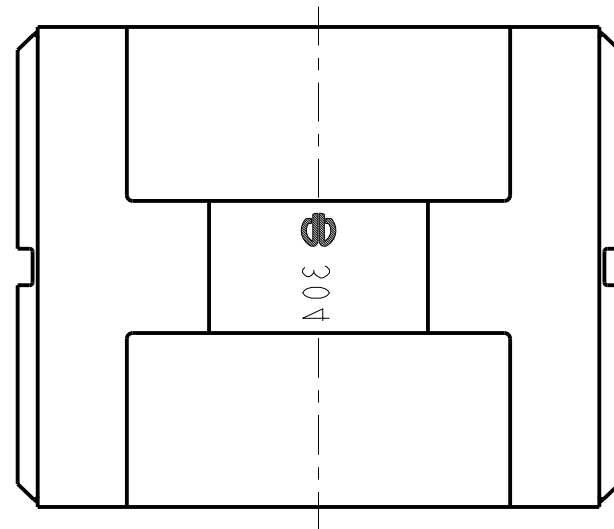


REV.	DATE	DESCRIPTION	ECO	BY	C'H'K.
B	05/05/2017 00:00:00 AM	LOGO UPDATED	46677	SM	MB



NOTES:

1. DIMENSIONS IN BRACKETS [ ] ARE IN MILLIMETERS ROUNDED OFF TO THE NEAREST MILLIMETER, UNLESS OTHERWISE NOTED, AND ARE FOR REFERENCE ONLY.
2. MATERIAL: STAINLESS STEEL.
3. FOR USE WITH BURNDY HYSPLICE FULL TENSION SLEEVE FOR STEEL (YDS375H).
4. USED ON Y60 HYPRESS™.

REV: PE0200

TO ORDER BURNDY® PRODUCTS CALL  
 UNITED STATES:  
 1-800-346-4175 (LONDONDERRY, NH)  
 CANADA:  
 1-800-361-6975 (QUEBEC)  
 1-800-387-6487 (ALL OTHER PROVINCES)  
 FOR PRODUCT INFO: <http://www.burndy.com>

CIRCULAR TWIN DIE		SCALE: 1:1
ITEM NO: 455304		
CAT. NO: L304		
DRAWN BY: M RAJASEKAR	8/27/2009	<b>BURNDY</b>
CHECKER: R RICK	9/05/2009	
DSN APPVL: R RICK	9/05/2009	
MFG APPVL: S ALEX	9/04/2009	
QA APPVL: B JOE	9/04/2009	
MKT APPVL: P ROBERT	9/05/2009	
PROD FAM: TOOLS_HYDRAULIC/L-DIES	DRAWING NO	REV
PROJECT #: --	SIZE	10105745
DOCUMENT TYPE: Sales	B	B
REL LEVEL: Released		SHEET 1 OF 1