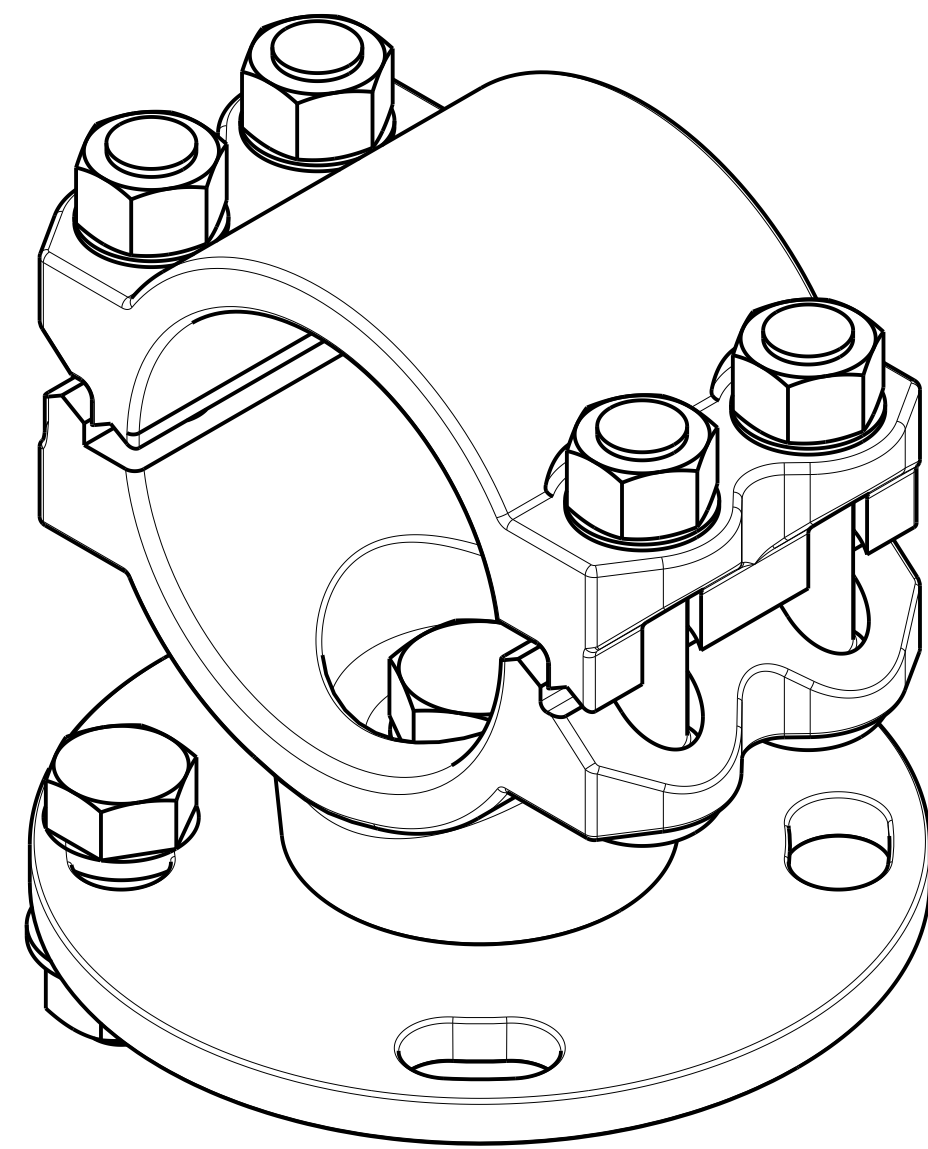
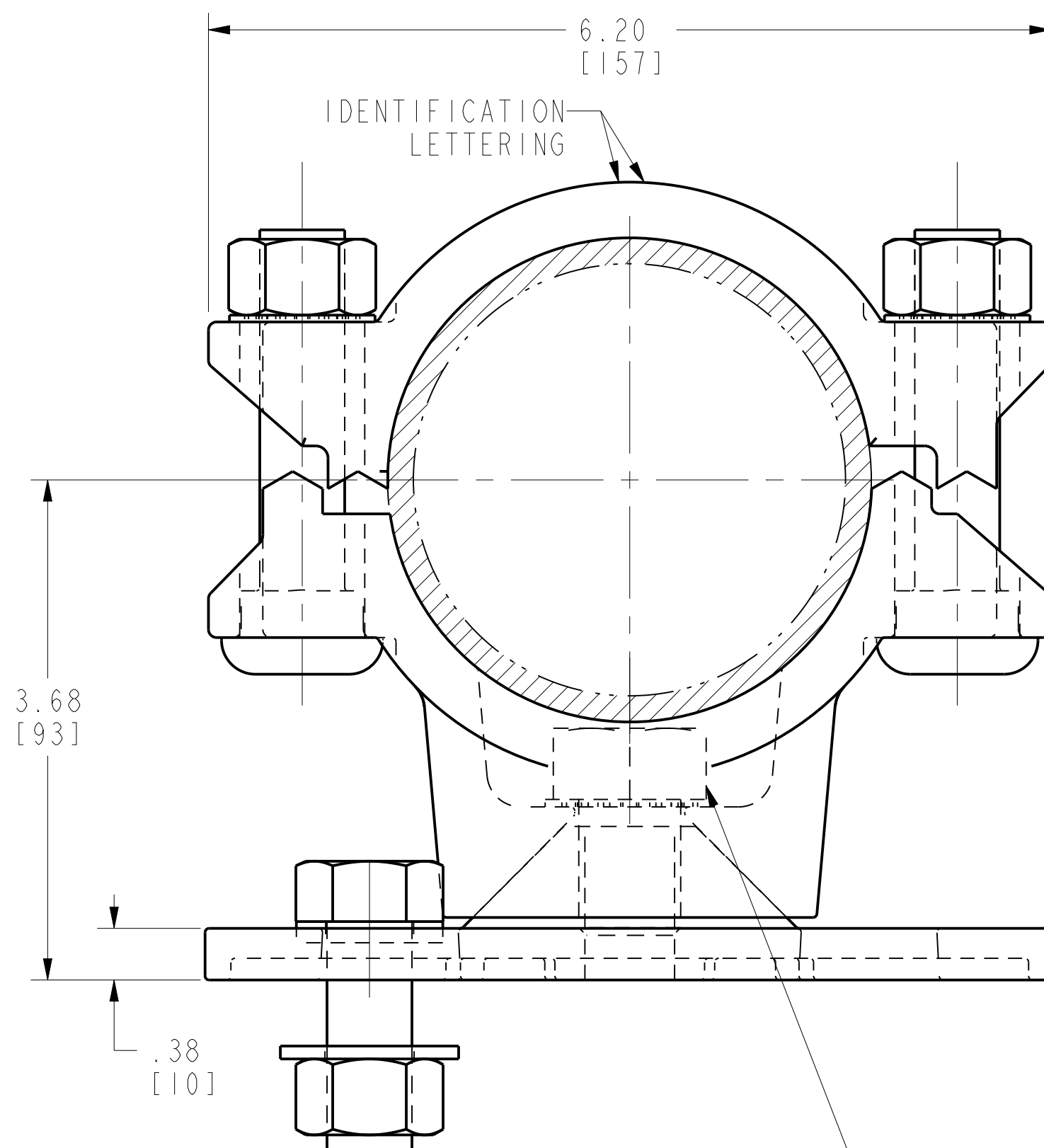
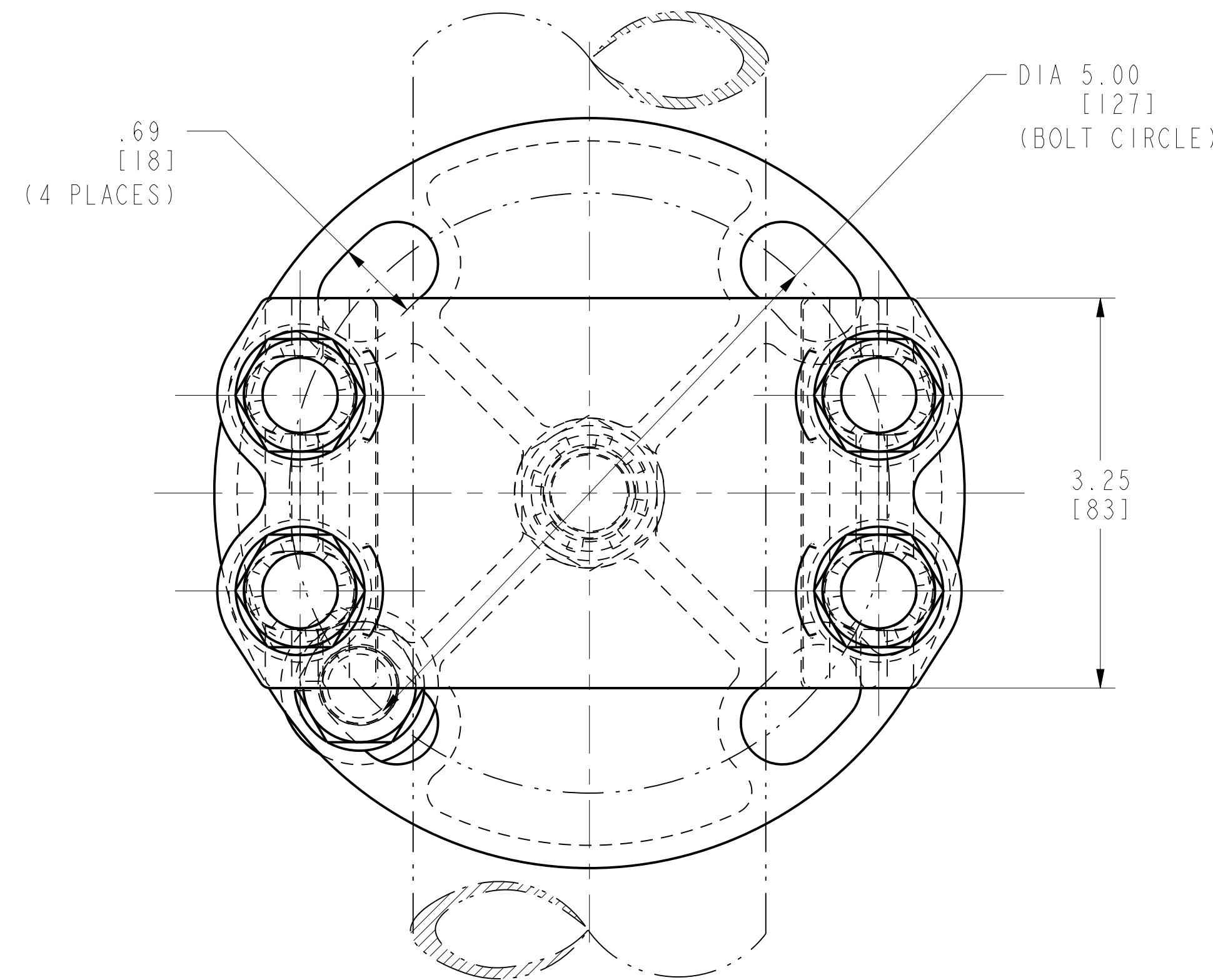


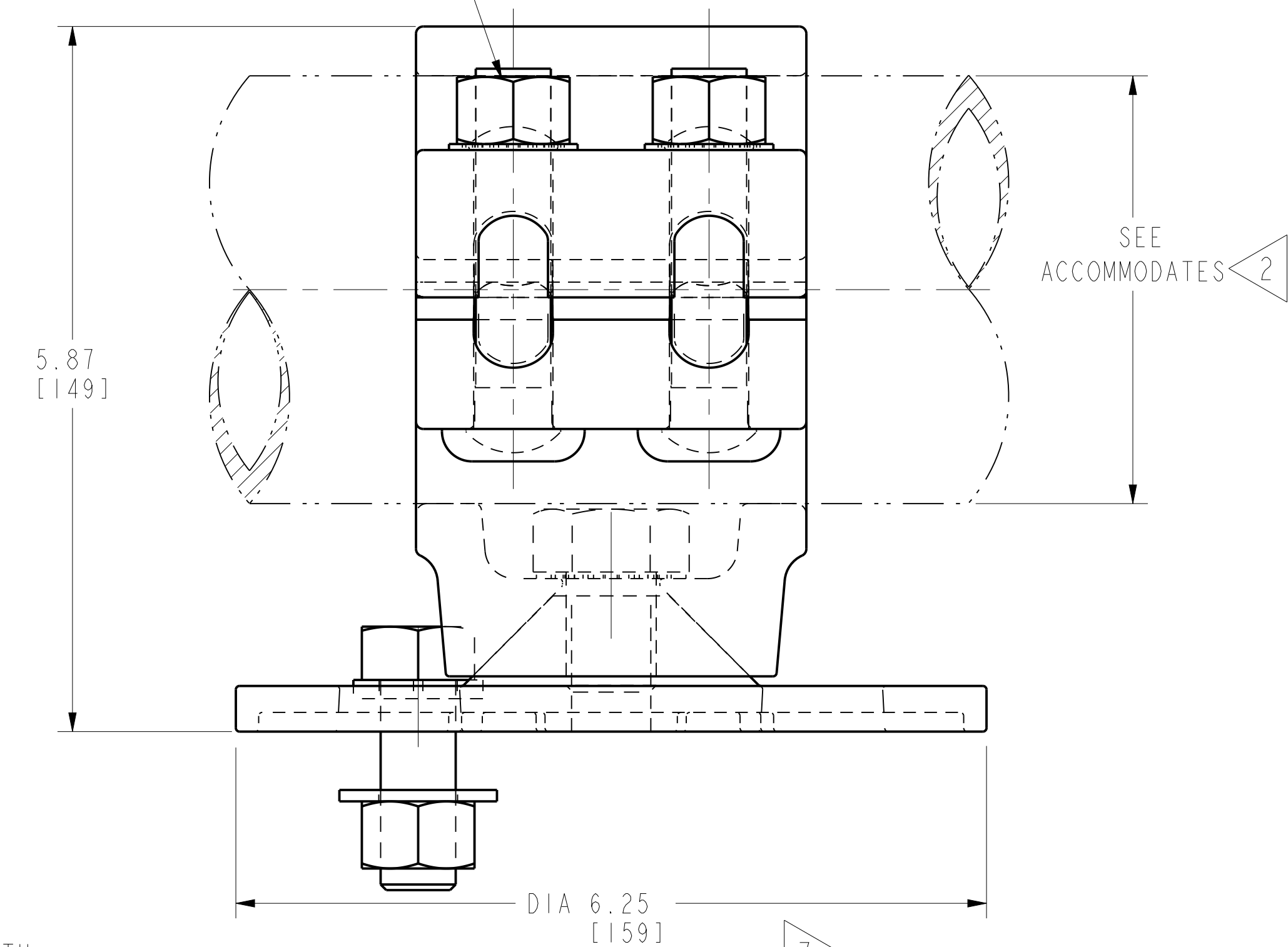
REV	DATE	DESCRIPTION	ECO	BY	C'H'K.
B	05/05/2017 00:00:00 AM	LOGO UPDATION	46674	BK	MB



ISOMETRIC VIEW  
SCALE 3:4



5/8" SILICON BRONZE OVAL SHANK BOLTS,  
HEX. NUTS AND SPLIT LOCK WASHERS.  
(4 PLACES)



7 MOUNTING HARDWARE

3/4" SILICON BRONZE HEX. BOLT WITH  
INTERNAL TOOTH LOCK WASHER.  
(ONE PLACE)

NOTES:

- 1 MATERIAL:  
BASE, BODY & CAP: CAST COPPER ALLOY.
- 2 ACCOMMODATES:  
3" IPS 3.500 [89] DIA. COPPER ALLOY.
- 3 NOMINAL BOLT INSTALLATION TORQUE:  
660 IN-LBS [75 Nm] FOR 5/8" HEX. SILICON BRONZE HARDWARE.  
1050 IN-LBS [119 Nm] FOR 3/4" HEX. SILICON BRONZE HARDWARE.
- 4 DIMENSIONS IN BRACKETS [ ] DENOTES METRIC UNITS [SI UNITS] AND  
ARE ROUNDED TO THE NEAREST WHOLE NUMBER. UNLESS OTHERWISE  
SPECIFIED THESE UNITS SHALL BE USED FOR REFERENCE ONLY.
- 5 ROTATE CAP 180° FOR SLIP OR RIGID FIT.
- 6 THE CONCEPT SHOWN INCORPORATES DESIGN PRINCIPLES WHICH PERMIT  
OPERATION AT A VOLTAGE GRADIENT NORMALLY ASSOCIATED WITH 138 KV  
RMS OPERATION PHASE TO PHASE.
- 7 CAP MOUNTING HARDWARE SUPPLIED AS STANDARD. WHEN BASE MOUNTING  
HARDWARE IS REQUIRED ADD "B" SUFFIX TO THE CATALOG NUMBER.  
EXAMPLE: UH205B.

TO ORDER BURNDY® PRODUCTS CALL  
UNITED STATES  
1-800-346-4175 (LONDONDERRY, NH)  
CANADA:  
1-800-361-6975 (QUEBEC)  
1-800-387-6487 (ALL OTHER PROVINCES)  
FOR PRODUCT INFO: <http://www.burndy.com>

ITEM NO: --		BUS SUPPORT	
CAT. NO: UH205, UH205B			
DRAWN BY: V ANAND	08/31/09		
CHECKER: NJ SUDHAKAR	09/03/09		
DSN APPVL: R LAVOIE	09/14/09		
MFG APPVL: T WAWRZYNIAK	09/16/09		
QA APPVL: C ACKERMAN	09/17/09		
MKT APPVL: V TORRES	09/14/09		
PROD FAM: SUBSTATION	DRAWING NO	SCALE: 1:1	
PROJECT #: --	SIZE	10106273	
DOCUMENT TYPE: Sales	D	SHEET 1 OF 1	
REL LEVEL: Released		REV B	

**BURNDY**