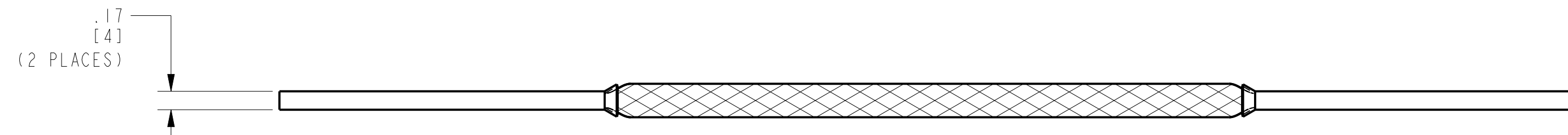
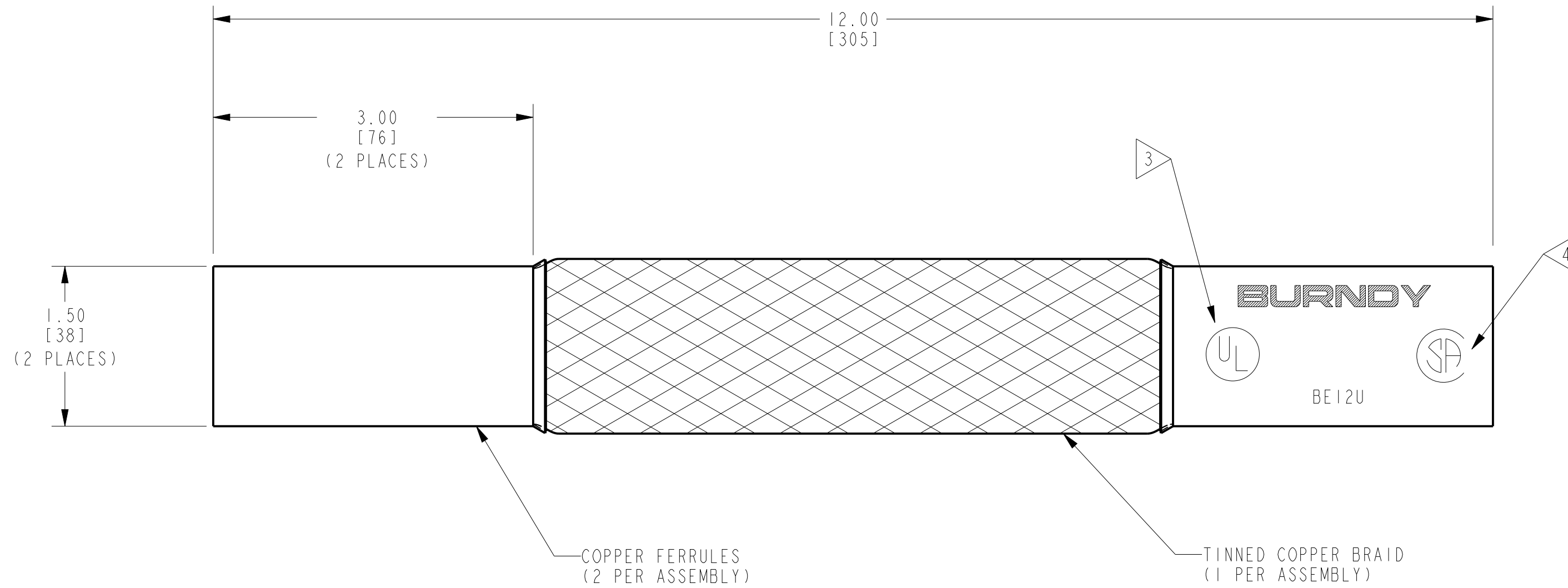


REV	DATE	DESCRIPTION	ECO	BY	C'H'K.
B	05/05/2017 10:49:00 AM	LOGO UPDATE	46674	BK	MB



NOTES:

1. DIMENSIONS IN BRACKETS [ ] ARE IN MILLIMETERS ROUNDED OFF TO THE NEAREST MILLIMETER, UNLESS OTHERWISE SPECIFIED, AND ARE FOR REFERENCE ONLY.

2. APPROXIMATE AMP RATING: 340 INDOOR, 405 OUTDOOR  
THIS MAY VARY WITH AMBIENT CONDITIONS, ORIENTATION OF THE BRAID AND OTHER SERVICE CONDITIONS.

3 'UL' SYMBOL FOR INTERNAL SPECIFICATION L4219, LOCATION AND SIZE TO BE DETERMINED BY MANUFACTURING.

4 'CSA' SYMBOL PER INTERNAL SPECIFICATION L4591, LOCATION AND SIZE TO BE DETERMINED BY MANUFACTURING.

TO ORDER BURNDY® PRODUCTS CALL		BRAID	
UNITED STATES: 1-800-346-4175 (LONDONDERRY, NH)		ITEM NO: 332179	CAT. NO: BE12U
CANADA: 1-800-361-6975 (QUEBEC) 1-800-387-6487 (ALL OTHER PROVINCES)		DRAWN BY: R. BOISVERT 09/10/09	CHECKER: J. PARKER 09/10/09
FOR PRODUCT INFO: <a href="http://www.burndy.com">http://www.burndy.com</a>		DSN APPVL: J. PARKER 09/01/09	MFG APPVL: C. MARTINEZ 09/02/09
		QA APPVL: J. BRODEUR 09/04/09	MKT APPVL: P. THERRIEN 09/01/09
		PROJ #:	SCALE: 1:1
		SIZE: C	DRAWING NO: 10106290
		DOCUMENT TYPE: Sales	REV: B
		REL LEVEL: Released	SHEET 1 OF 1

REV: PE0200