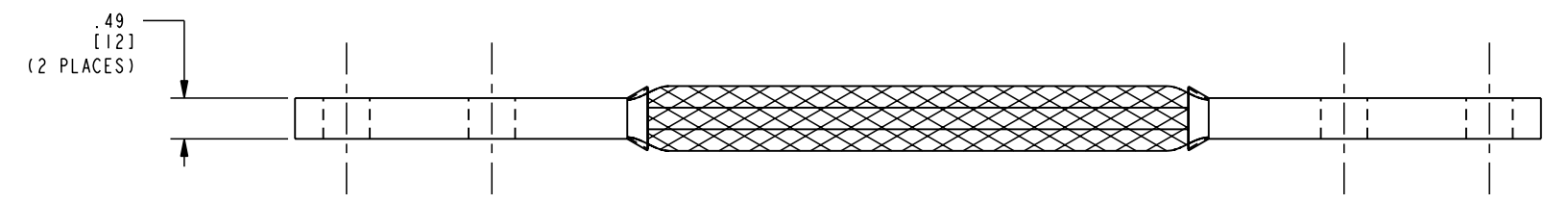
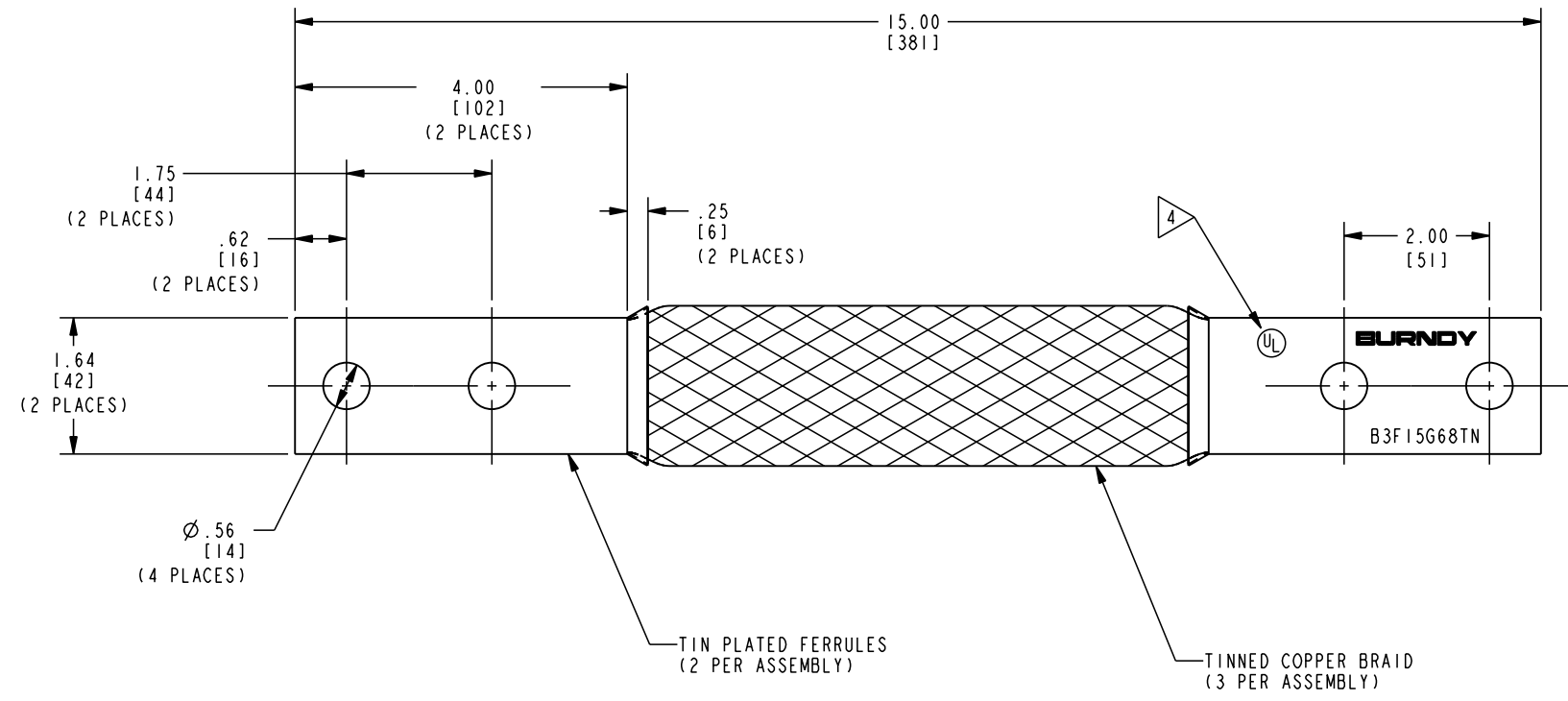


DRAWING NO.
10106639

REV	DATE	DESCRIPTION	ECO	BY	C'H'K.
A	9/21/2009 1:54:00 PM	DRAWING RELEASED	19058	RLB	JP



NOTES:

- MATERIAL: FERRULES - COPPER
BRAID - TINNED COPPER
 - DIMENSIONS IN BRACKETS [] ARE IN MILLIMETERS ROUNDED OFF TO THE NEAREST MILLIMETER, UNLESS OTHERWISE SPECIFIED, AND ARE FOR REFERENCE ONLY.
 - APPROXIMATE AMP RATING: 820 INDOOR, 980 OUTDOOR
THIS MAY VARY WITH AMBIENT CONDITIONS, ORIENTATION OF THE BRAID AND OTHER SERVICE CONDITIONS.
- 4 ALL SIZES ARE LISTED TO UL 467 GROUNDING & BONDING EQUIPMENT STANDARDS.

TO ORDER BURNDY® PRODUCTS CALL
 UNITED STATES:
 1-800-346-4175 (LONDONDERRY, NH)
 CANADA:
 1-800-361-6975 (QUEBEC)
 1-800-387-6487 (ALL OTHER PROVINCES)
 FOR PRODUCT INFO: <http://www.burndy.com>

BRAID	
ITEM NO:	10105710
CAT. NO:	B3F15G68TN
DRAWN BY:	R. BOISVERT 09/21/09
CHECKER:	J. PARKER 09/22/09
DSN APPVL:	J. PARKER 06/11/09
MFG APPVL:	C. MARTINEZ 09/09/09
QA APPVL:	J. BRODEUR 09/09/09
MKT APPVL:	P. THERRIEN 09/09/09
SCALE:	3:4
PROD FAM:	--
PROJECT #:	--
DOCUMENT TYPE:	--
REL LEVEL:	Released
DRAWING NO	10106639
REV	A
SHEET	1 OF 1

REV: PED200