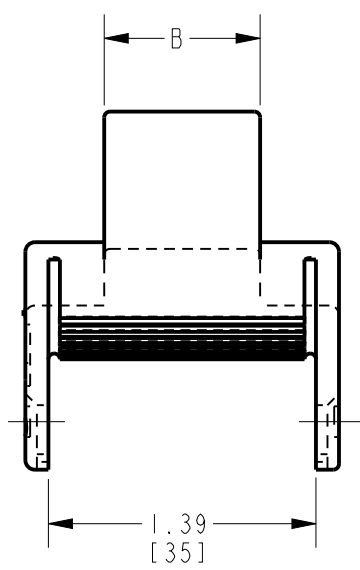
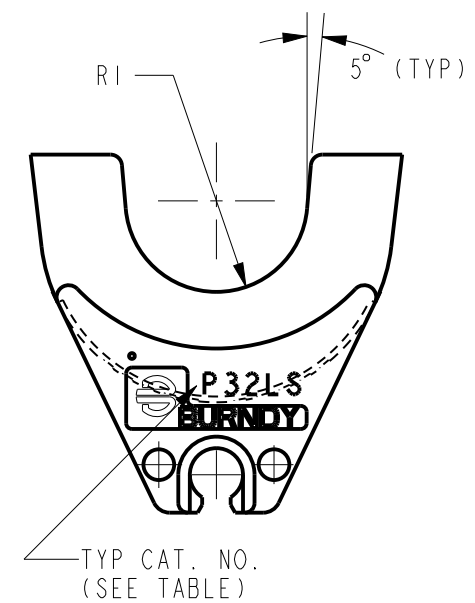


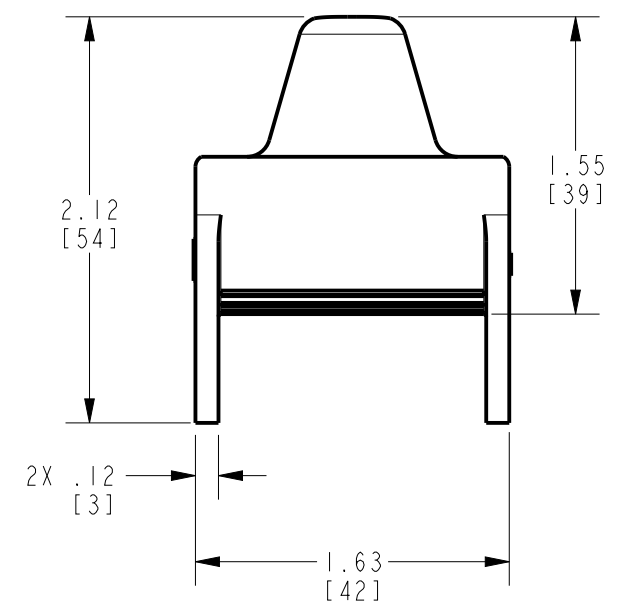
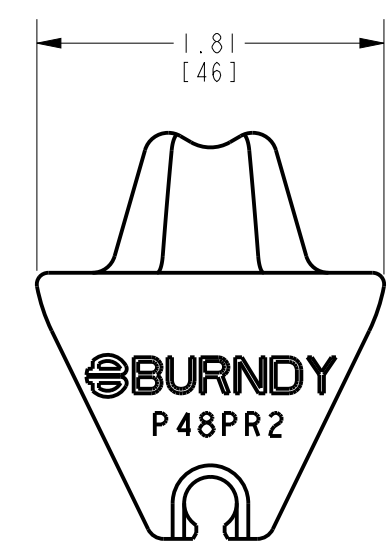
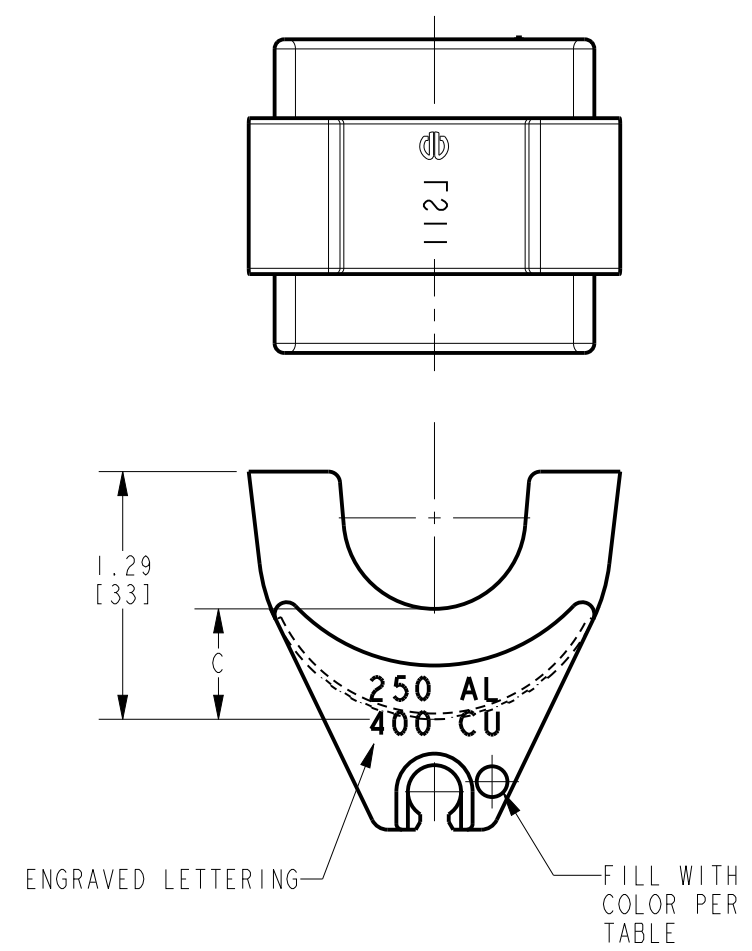
LEROY SOMER  
COLOR CODING & EMBOSSMENT

REV.	DATE	DESCRIPTION	ECO	BY	C'H'K.
B	04/29/2013 19:40:00 PM	DRAWING UPDATED AS PER MARKUP.	29078	GP	MB

NEST DIE	B	C	RI	LETTERING	BURNDY SPLICE #	INDENTOR DIE	COLOR CODE	EMBOSSMENT	LEROY SOMER #	GAGE CAT. NO.
P32LS	.81 [21]	.57 [14]	.47 [12]	P32LS 250 AL, 400 CU	YSM36L125	P48PR2	BLACK	LS11	⊗ 40584311	PPGLS11
P34LS	1.13 [29]	.52 [13]	.54 [14]	P34LS 300 AL, 500 CU	YSM34L112	P48PR2	YELLOW	LS12	⊗ 40584312	PPGLS12
P36LS	1.00 [25]	.45 [11]	.60 [15]	P36LS 600 CU	YSM36L125	P48PR2	BLUE	LS13	⊗ 40584313	PPGLS13
P40LS	1.36 [35]	.35 [9]	.68 [17]	P40LS 800 CU	YSM36L125	P48PR2	GREEN	LS14	⊗ 40584314	PPGLS14
P44LS		.23 [6]	.76 [19]	P44LS 600 AL, 1000 CU	YSM44L131	P48PR2	PURPLE	LS16	⊗ 40584316	PPGLS16



**NEST DIE**



**P48PR2 INDENTOR DIE**

- NOTES:
1. THIS DRAWING TO BE INTERPRETED PER ASME Y14.5M-1994.
  2. NEST DIE COMBINATION SPECIFIC TO LEROY SOMER APPLICATION.
  3. DIMENSIONS IN BRACKETS [ ] ARE IN MILLIMETERS ROUNDED OFF TO THE NEAREST MILLIMETER, UNLESS OTHERWISE NOTED, AND ARE FOR REFERENCE ONLY.

TO ORDER BURNDY® PRODUCTS CALL  
 UNITED STATES:  
 1-800-346-4175 (LONDONDERRY, NH)  
 CANADA:  
 1-800-361-6975 (QUEBEC)  
 1-800-387-6487 (ALL OTHER PROVINCES)  
 FOR PRODUCT INFO: <http://www.burndy.com>

LEROY SOMER YSM TABLE			
ITEM NO:	N/A		
CAT. NO:	P--LS (SEE TABLE)		
DRAWN BY:	M. RAJASEKARAN	1/29/2010	
CHECKER:	RICK ROMAN	1/22/2010	
DSN APPVL:	MIKE RZASA	1/22/2010	
MFG APPVL:	SHANE HOPPS	1/22/2010	
QA APPVL:	JOE BRODEUR	1/26/2010	
MKT APPVL:	ROBERT POIRIERI	1/28/2010	
PROD FAM:	Tools-Hydraulic/P-Dies		
PROJECT #:	--	SIZE	DRAWING NO
DOCUMENT TYPE:	Sales	B	10107450
REL LEVEL:	Released		SHEET 1 OF 1

REV: PE0200