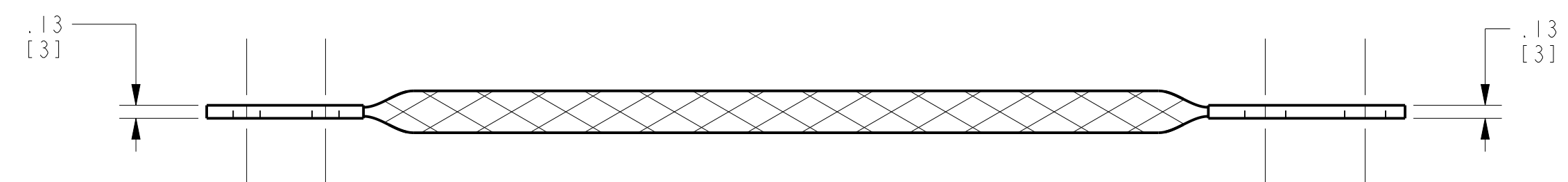
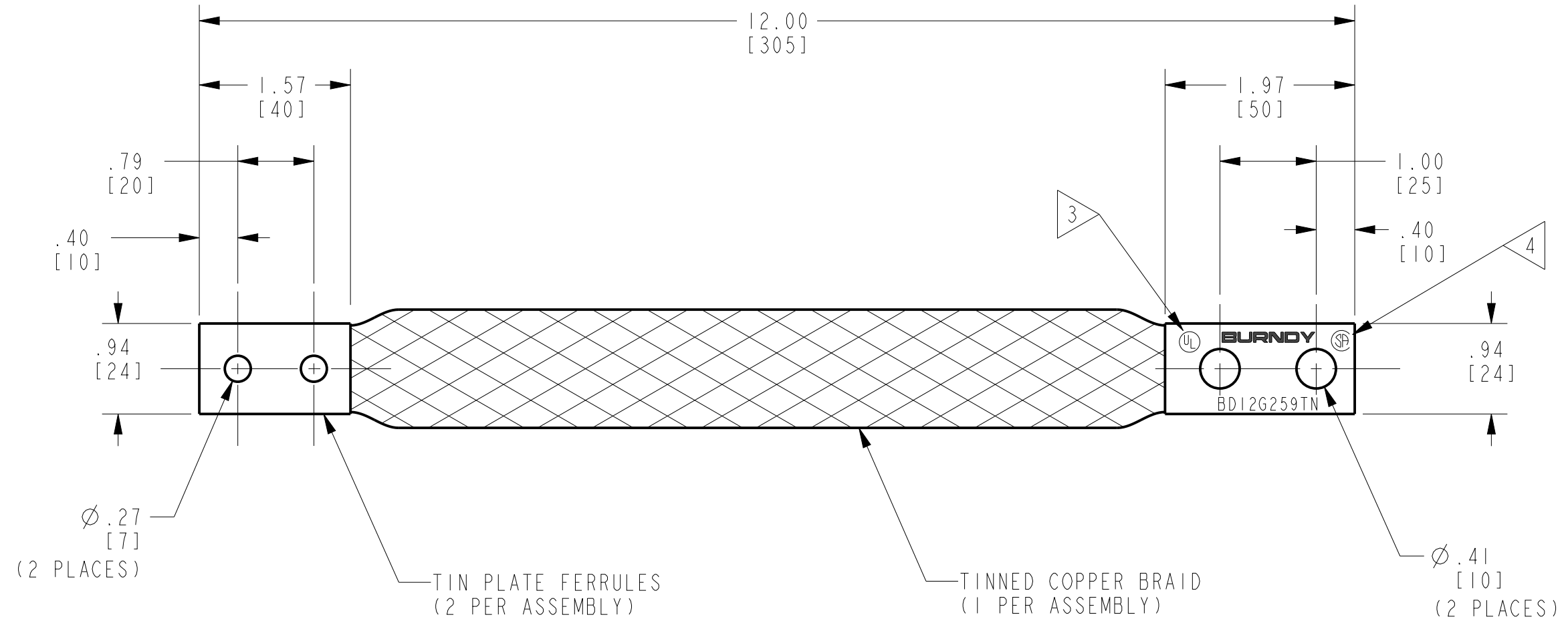
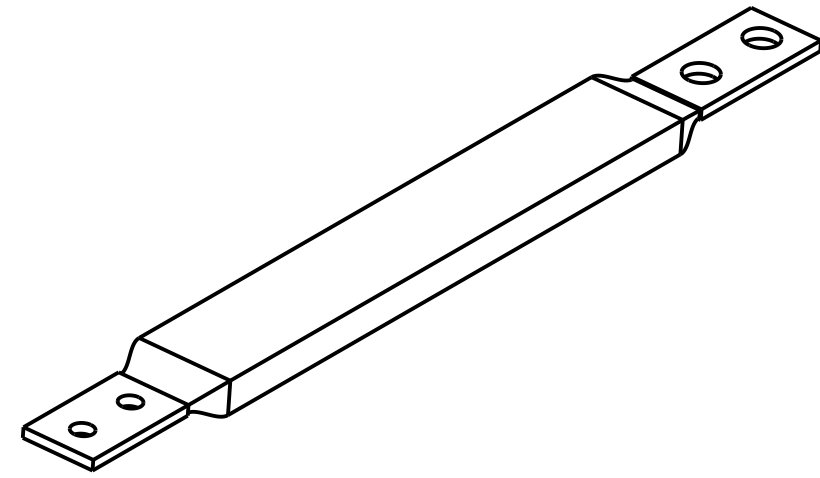


REV	DATE	DESCRIPTION	ECO	BY	C'H'K.
B	05/04/2017 10:34:00 AM	LOGO UPDATE	46659	BK	MB



NOTES:

- DIMENSIONS IN BRACKETS [] ARE IN MILLIMETERS ROUNDED OFF TO THE NEAREST MILLIMETER, UNLESS OTHERWISE SPECIFIED, AND ARE FOR REFERENCE ONLY.
- APPROXIMATE AMP RATING: 190 INDOOR, 225 OUTDOOR
THIS MAY VARY WITH AMBIENT CONDITIONS, ORIENTATION OF THE BRAID AND OTHER SERVICE CONDITIONS.

- 3 'UL' SYMBOL FOR INTERNAL SPECIFICATION L4219, LOCATION AND SIZE TO BE DETERMINED BY MANUFACTURING.
- 4 'CSA' SYMBOL PER INTERNAL SPECIFICATION L4591, LOCATION AND SIZE TO BE DETERMINED BY MANUFACTURING.

TO ORDER BURNDY® PRODUCTS CALL

UNITED STATES:
1-800-346-4175 (LONDONDERRY, NH)

CANADA:
1-800-361-6975 (QUEBEC)
1-800-387-6487 (ALL OTHER PROVINCES)

FOR PRODUCT INFO: <http://www.burndy.com>

BRAID	
ITEM NO:	10106736
CAT. NO:	BD12G259TN
DRAWN BY:	R. BOISVERT 10/26/09
CHECKER:	J. PARKER 10/26/09
DSN APPVL:	J. PARKER 10/20/09
MFG APPVL:	L. LEAVITT 10/22/09
QA APPVL:	J. BRODEUR 10/25/09
MKT APPVL:	P. THERRIEN 10/20/09
PROD FAM:	--
PROJECT #:	--
DOCUMENT TYPE:	Sales
REL LEVEL:	Released
SCALE:	3:4
DRAWING NO	10108315
REV	B
SHEET 1 OF 1	



REV: PE0200