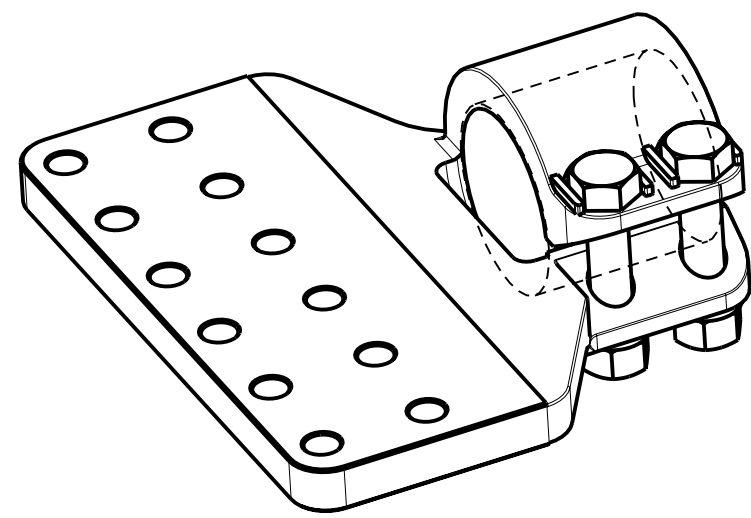
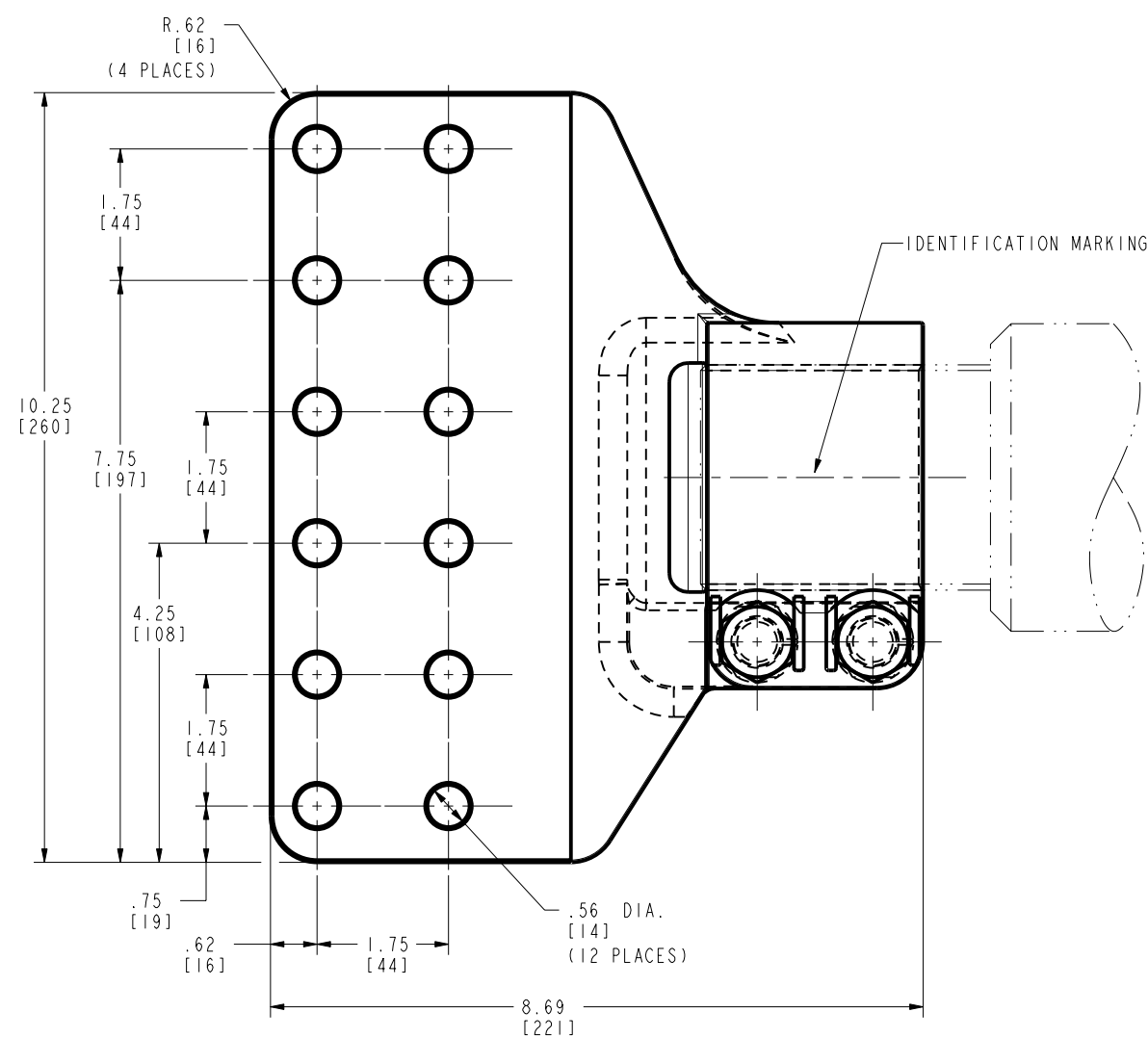
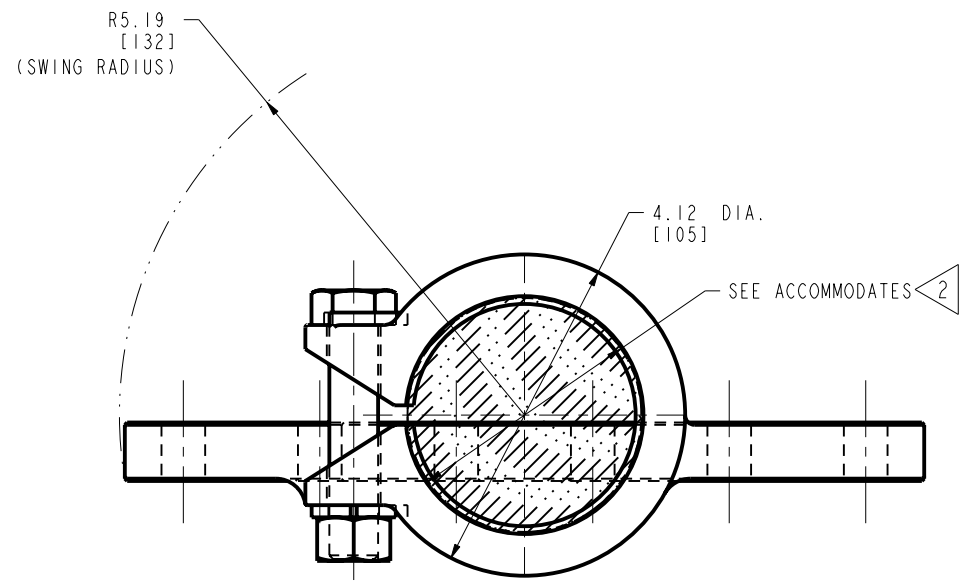
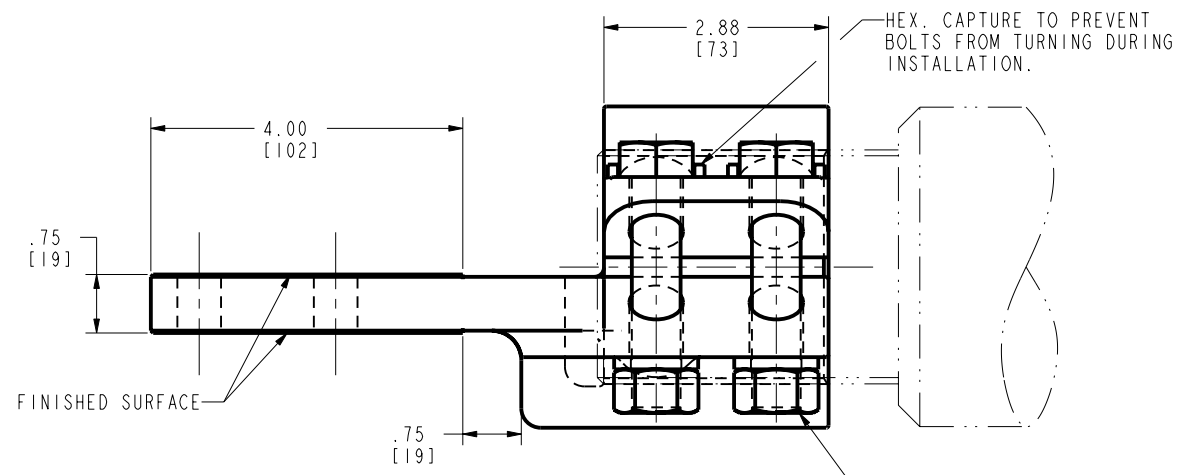


DRAWING NO.
10108741

REV	DATE	DESCRIPTION	ECO	BY	C'H'K.
A	5/6/2010 12:00:00 AM	CREATE PRODUCTION DRAWINGS FOR CAT.# FD70X12X12N FOCUS REQUEST	20999	VV	NJS



ISOMETRIC VIEW
SCALE 3:4



CATALOG NUMBER	FINISH
FD70X12X12N	BARE COPPER
FD70X12X12NCG1	TIN PLATED PAD WITH BARE COPPER STUD

- NOTES:
- MATERIAL : CAST COPPER ALLOY
 - ACCOMMODATES:
3"-12 STUD
 - INSTALLATION TORQUE:
660 IN-LBS [75 Nm] FOR 5/8" SILICON BRONZE HARDWARE.
 - DIMENSIONS IN BRACKETS [] DENOTES METRIC UNITS [SI UNITS] AND ARE ROUNDED TO THE NEAREST WHOLE NUMBER. UNLESS OTHERWISE SPECIFIED THESE UNITS SHALL BE USED FOR REFERENCE ONLY.
 - THE CONCEPT SHOWN INCORPORATES PRINCIPLES WHICH PERMIT OPERATION AT A VOLTAGE GRADIENT NORMALLY ASSOCIATED WITH 230KV RMS OPERATION PHASE TO PHASE.
 - CONNECTOR HAS TIN PLATED PAD.

TO ORDER BURNDY® PRODUCTS CALL		STUD CONNECTOR	
UNITED STATES 1-800-346-4175 (LONDONDERRY, NH)		ITEM NO: --	CAT. NO: FD70X12X12N & FD70X12X12NCG1
CANADA: 1-800-361-6975 (QUEBEC) 1-800-387-6487 (ALL OTHER PROVINCES)		DRAWN BY: V VINOCH 05/06/10	CHECKER: NJ SUDHAKAR 05/06/10
FOR PRODUCT INFO: http://www.burndy.com		DSN APPVL: J HOSKER 06/22/10	MFG APPVL: T WAWRZYNIAK 06/22/10
		QA APPVL: J HILLMAN 06/25/10	MKT APPVL: V TORRES 06/25/10
		PROJ #:	SCALE: 1:1
		DOCUMENT TYPE: Sales	DRAWING NO: 10108741
		REL LEVEL: Released	REV: A
		SIZE: D	SHEET 1 OF 1

REV: PE0200