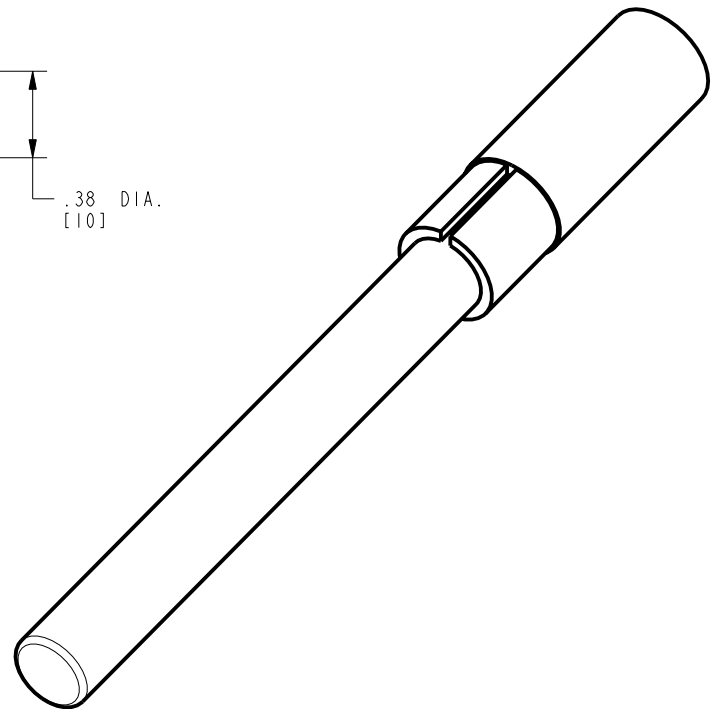
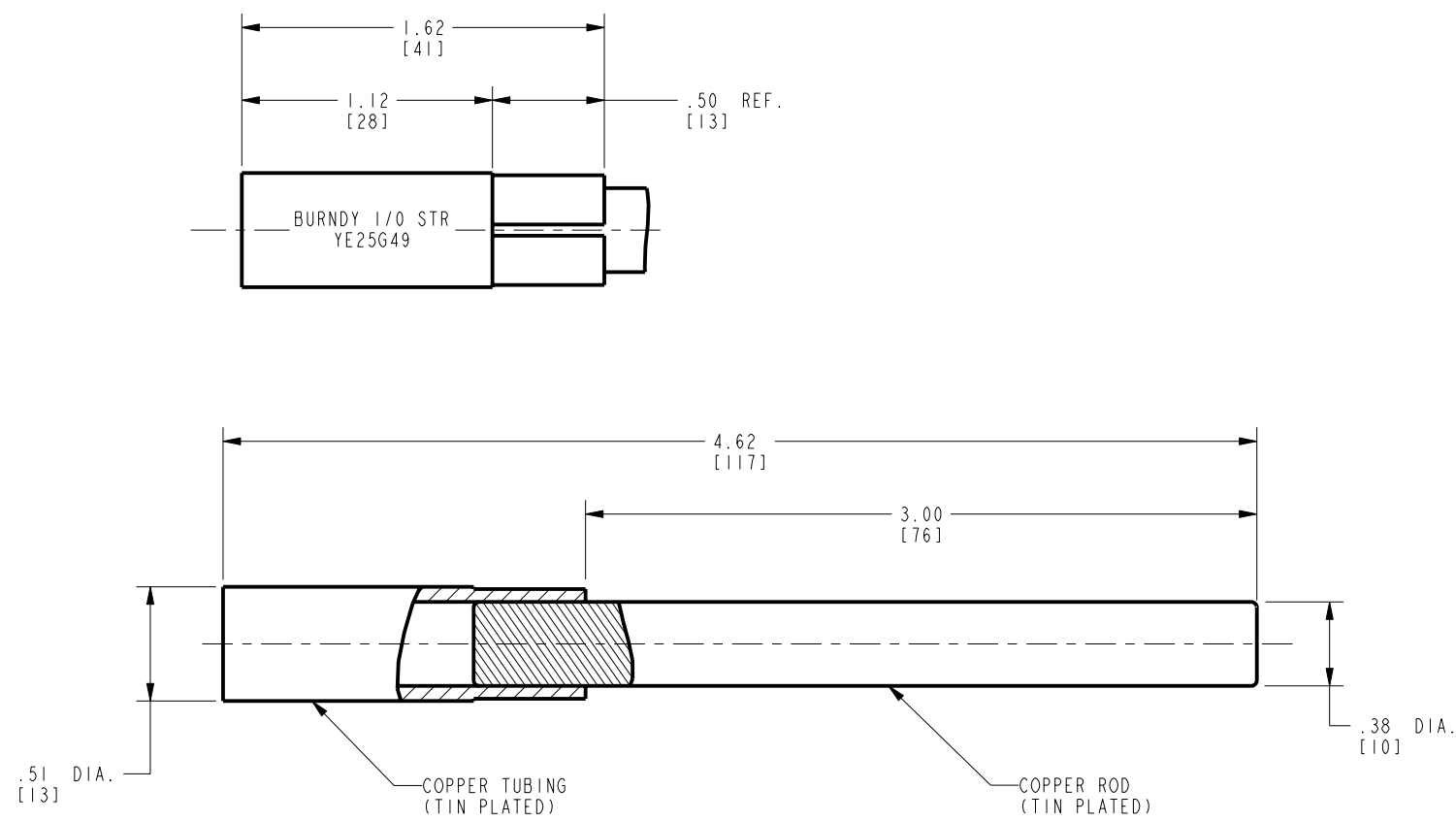


DRAWING NO.
10108813

REV	DATE	DESCRIPTION	ECO	BY	C'H'K.
A	11/7/2009 12:50:00 PM	NEW SALES DRAWING CREATION	19465	1A	JG



NOTES:

- ACCOMMODATES:
1/0 (.373 DIA) 7, 19 STR. CU. CABLE
- TOOLING / DIES (# CRIMPS): OUR840/ X25CRT(1); MD7-34R, MD6 & MD7/ W25RT & W25VT (2); PAT600 / X25RT, X25RT, X25VT(2); Y35, Y39, Y750, PAT750, Y46 & PAT46 (WITH PUADP-1 ADAPTOR / U25RT(1) OR U25D-1(1) NEST WITH Y34PR INDENTOR.

TO ORDER BURNDY® PRODUCTS CALL
 UNITED STATES:
 1-800-346-4175 (LONDONDERRY, NH)
 CANADA:
 1-800-361-6975 (QUEBEC)
 1-800-387-6487 (ALL OTHER PROVINCES)
 FOR PRODUCT INFO: <http://www.burndy.com>

HYSEALPLUG™			
ITEM NO: 524120		DRAWN BY: I. ANBALAGAN 11-07-09	
CAT. NO: YE25G49		CHECKER: J. MICHAUD 11-12-09	
MFG APPVL: --		DSN APPVL: J. MICHAUD 11-12-09	
GA APPVL: J. BRODEUR 11-11-09		MKT APPVL: J. SYLVIA 11-11-09	
SCALE: 1:1		DRAWING NO: 10108813	
PROD FAM: CM&R COMPRESSION		PROJECT #: --	
DOCUMENT TYPE: Sales		SIZE: C	
REL LEVEL: Released		SHEET 1 OF 1	



REV: PE0200