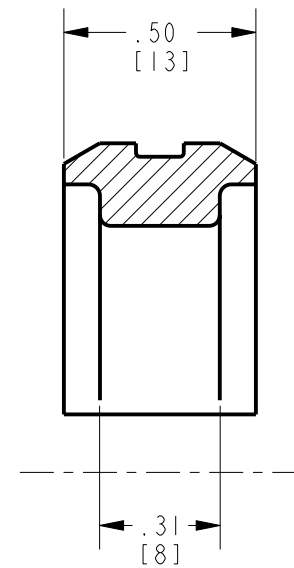
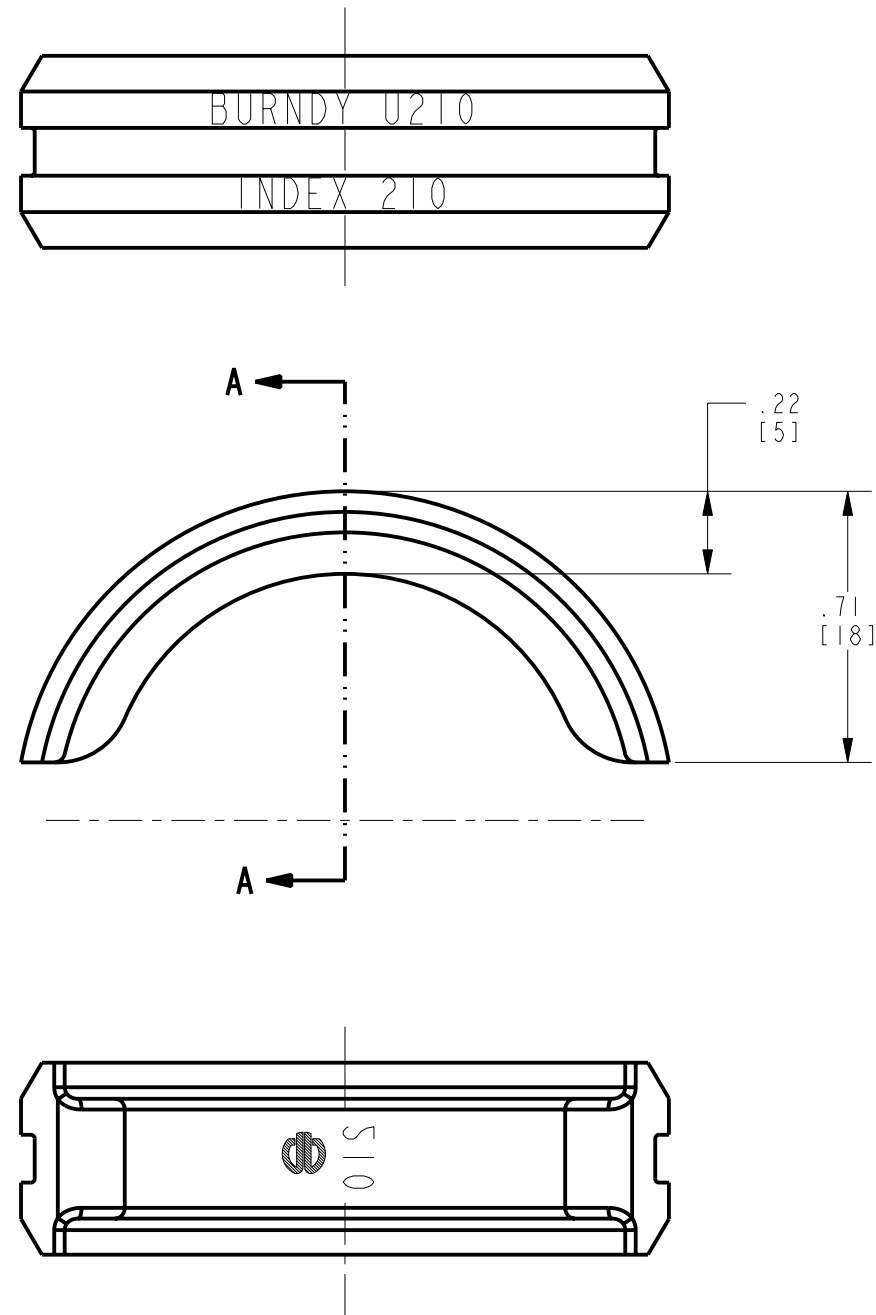
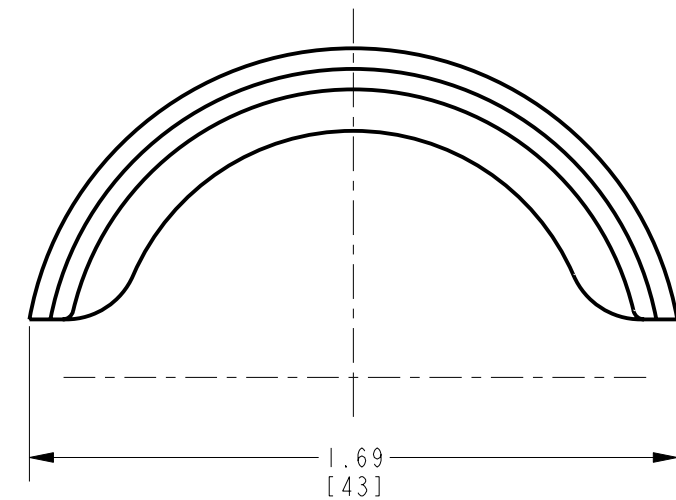


REV.	DATE	DESCRIPTION	ECO	BY	C'H'K.
A	11/11/2009 12:00:00 PM	INDIVIDUAL SALES DRAWING RELEASED	19517	RM	JG



SECTION A-A



NOTES:

1. DIMENSIONS IN [ ] BRACKETS ARE IN MILLIMETERS, ROUNDED OFF TO THE NEAREST MILLIMETER, UNLESS OTHERWISE NOTED. METRIC DIMENSIONS ARE FOR REFERENCE ONLY.
2. DIE INSPECTION GAGE CATALOG NUMBER (CUSTOMER & ENGINEERING ONLY): UPG210
3. MATERIAL: STAINLESS STEEL

TO ORDER BURNDY® PRODUCTS CALL

UNITED STATES:  
1-800-346-4175 (LONDONDERRY, NH)

CANADA:  
1-800-361-6975 (QUEBEC)  
1-800-387-6487 (ALL OTHER PROVINCES)

FOR PRODUCT INFO: <http://www.burndy.com>

RADIAL NON-BUTTING TWIN DIE

ITEM NO: N/A	SCALE: 1:1
CAT. NO: U210	DRAWING NO
DRAWN BY: R. MURUGESAN 11/11/2009	REV
CHECKER: --	10109437
DSN APPVL: --	A
MFG APPVL: --	SHEET 1 OF 1
QA APPVL: --	
MKT APPVL: --	
PROD FAM: TOOLS-HYDRAULIC/U-DIE	
PROJECT #: --	
DOCUMENT TYPE: Sales	
REL LEVEL: Released	



REV: PE0200