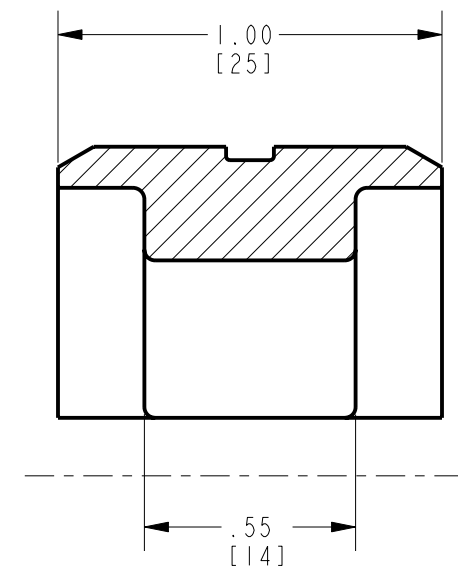
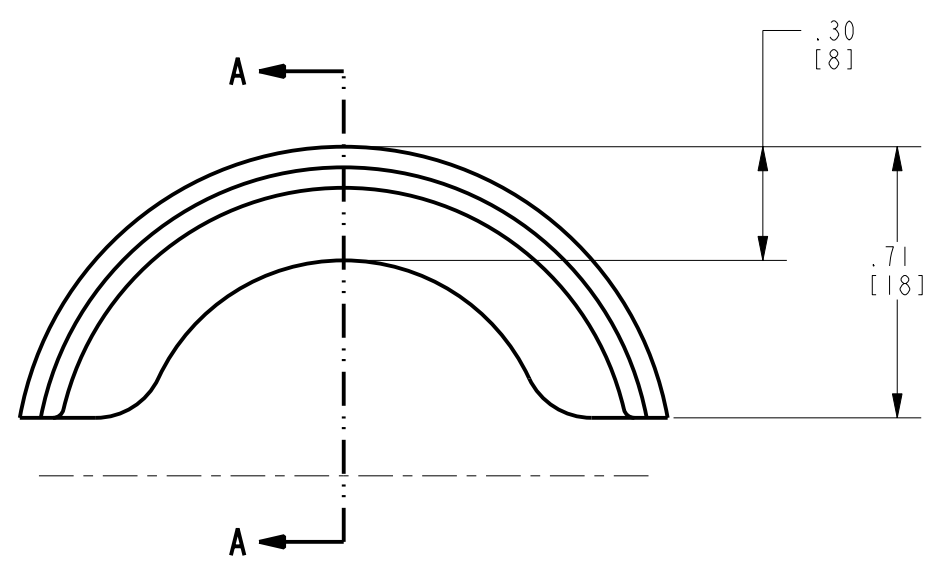
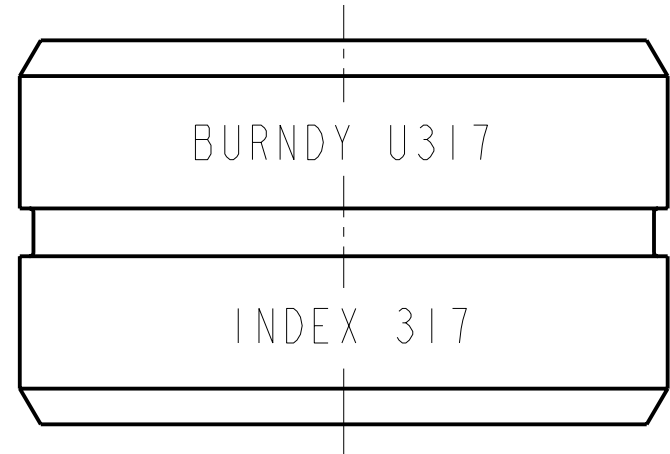
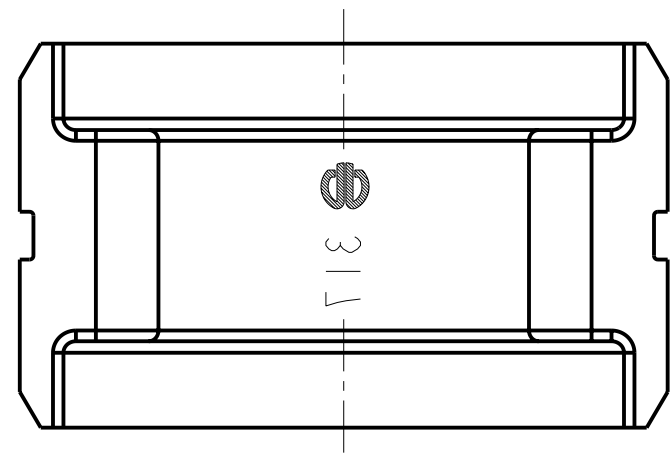
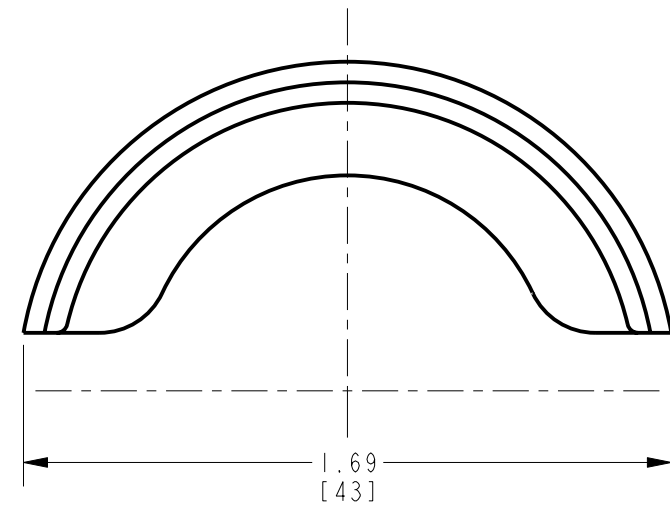


REV.	DATE	DESCRIPTION	ECO	BY	C'H'K.
A	11/11/2009 2:00:00 PM	INDIVIDUAL SALES DRAWING RELEASED	19517	RM	JG



SECTION A-A



NOTES:

1. DIMENSIONS IN [] BRACKETS ARE IN MILLIMETERS, ROUNDED OFF TO THE NEAREST MILLIMETER, UNLESS OTHERWISE NOTED. METRIC DIMENSIONS ARE FOR REFERENCE ONLY.
2. DIE INSPECTION GAGE CATALOG NUMBER (CUSTOMER & ENGINEERING ONLY): N/A
3. MATERIAL: STAINLESS STEEL

TO ORDER BURNDY® PRODUCTS CALL
 UNITED STATES:
 1-800-346-4175 (LONDONDERRY, NH)
 CANADA:
 1-800-361-6975 (QUEBEC)
 1-800-387-6487 (ALL OTHER PROVINCES)
 FOR PRODUCT INFO: <http://www.burndy.com>

RADIAL NON-BUTTING TWIN DIE	
ITEM NO:	N/A
CAT. NO:	U317
DRAWN BY:	R. MURUGESAN 11/11/2009
CHECKER:	--
DSN APPVL:	--
MFG APPVL:	--
QA APPVL:	--
MKT APPVL:	--
PROD FAM:	TOOLS_HYDRAULIC/U_DIE
PROJECT #:	--
DOCUMENT TYPE:	Sales
REL LEVEL:	Released
SCALE:	1:1
DRAWING NO	10109439
REV	A
SHEET	1 OF 1



REV: PE0200