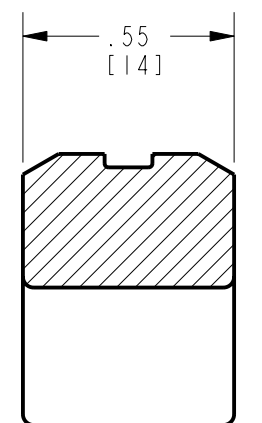
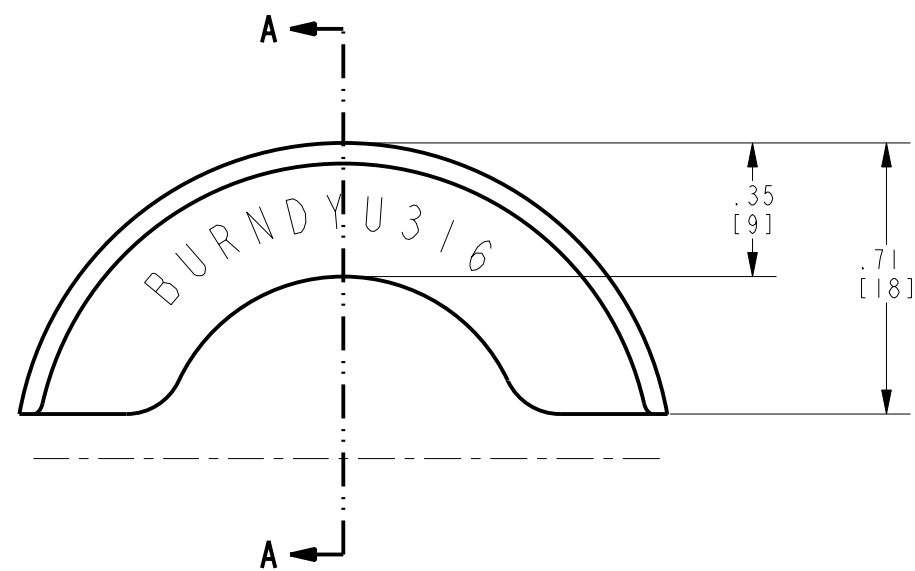
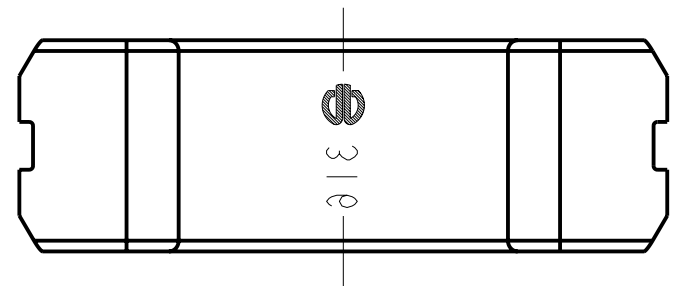
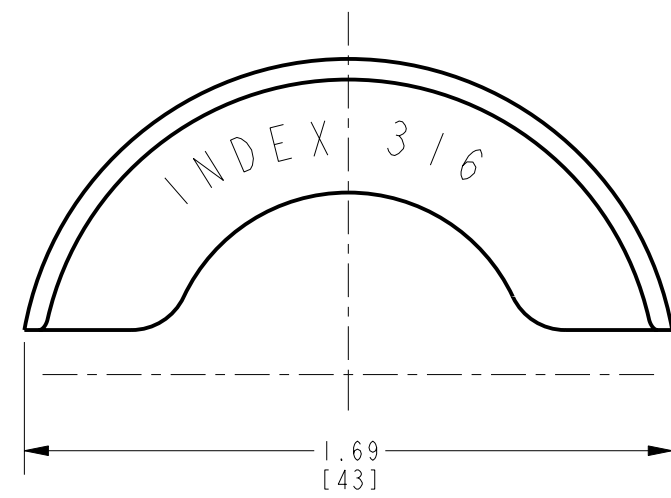


REV.	DATE	DESCRIPTION	ECO	BY	C'H'K.
A	11/13/2009 12:00:00 PM	INDIVIDUAL SALES DRAWING RELEASED	19517	RM	JG



SECTION A-A



NOTES:

1. DIMENSIONS IN [ ] BRACKETS ARE IN MILLIMETERS, ROUNDED OFF TO THE NEAREST MILLIMETER, UNLESS OTHERWISE NOTED. METRIC DIMENSIONS ARE FOR REFERENCE ONLY.
2. DIE INSPECTION GAGE CATALOG NUMBER (CUSTOMER & ENGINEERING ONLY): N/A
3. MATERIAL: STAINLESS STEEL

TO ORDER BURNDY® PRODUCTS CALL  
 UNITED STATES:  
 1-800-346-4175 (LONDONDERRY, NH)  
 CANADA:  
 1-800-361-6975 (QUEBEC)  
 1-800-387-6487 (ALL OTHER PROVINCES)  
 FOR PRODUCT INFO: <http://www.burndy.com>

RADIAL NON-BUTTING TWIN DIE		SCALE: 1:1
ITEM NO:	N/A	DRAWING NO
CAT. NO:	U316	
DRAWN BY:	R. MURUGESAN 11/13/2009	DRAWING NO
CHECKER:	--	
DSN APPVL:	--	DRAWING NO
MFG APPVL:	--	
QA APPVL:	--	DRAWING NO
MKT APPVL:	--	
PROD FAM:	TOOLS_HYDRAULIC/U_DIE	DRAWING NO
PROJECT #:	--	
DOCUMENT TYPE:	Sales	DRAWING NO
REL LEVEL:	Released	
		SIZE
		B
		10109441
		A
		SHEET 1 OF 1

REV: PE0200