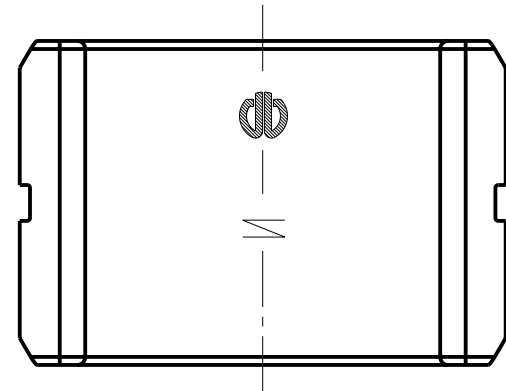
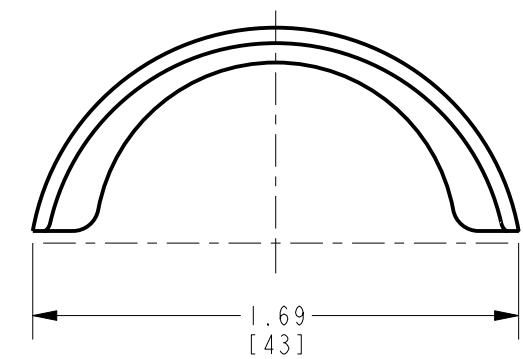
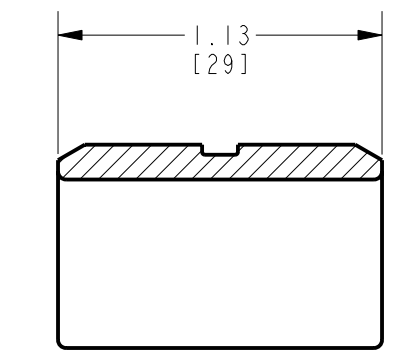
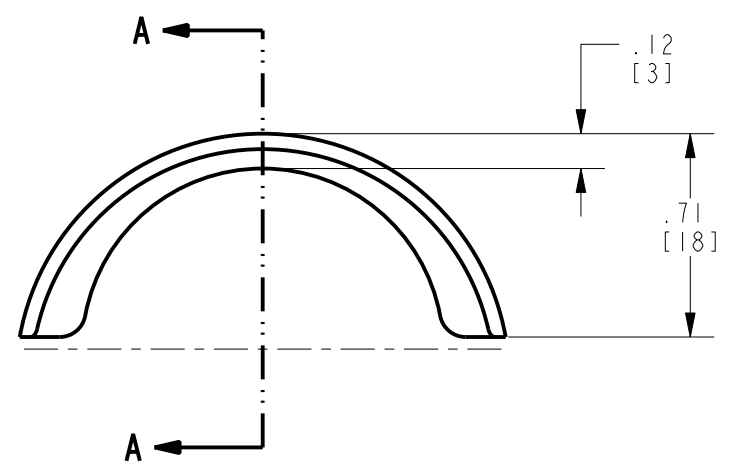
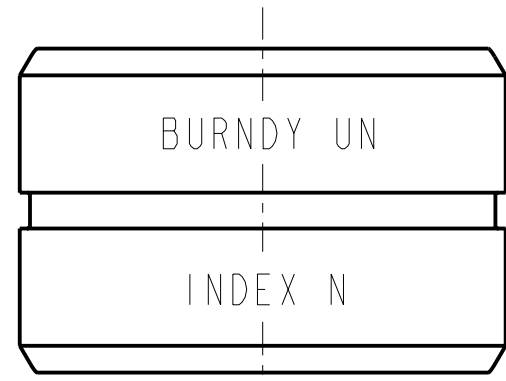


REV.	DATE	DESCRIPTION	ECO	BY	C'H'K.
A	11/13/2009 12:00:00 PM	INDIVIDUAL SALES DRAWING RELEASED	19517	RM	JG



NOTES:

1. DIMENSIONS IN [ ] BRACKETS ARE IN MILLIMETERS, ROUNDED OFF TO THE NEAREST MILLIMETER, UNLESS OTHERWISE NOTED. METRIC DIMENSIONS ARE FOR REFERENCE ONLY.
2. DIE INSPECTION GAGE CATALOG NUMBER (CUSTOMER & ENGINEERING ONLY): N/A
3. MATERIAL: STAINLESS STEEL

TO ORDER BURNDY® PRODUCTS CALL		RADIAL NON-BUTTING TWIN DIE	
UNITED STATES: 1-800-346-4175 (LONDONDERRY, NH)		ITEM NO: N/A	
CANADA: 1-800-361-6975 (QUEBEC) 1-800-387-6487 (ALL OTHER PROVINCES)		CAT. NO: UN	
FOR PRODUCT INFO: <a href="http://www.burndy.com">http://www.burndy.com</a>		DRAWN BY: R. MURUGESAN 11/13/2009	
		CHECKER: --	
		DSN APPVL: --	
		MFG APPVL: --	
		QA APPVL: --	
		MKT APPVL: --	
		SCALE: 1:1	
		PROJ. FAM: TOOLS_HYDRAULIC/U_DIE	
		DRAWING NO	
		REV	
		PROJECT #: --	
		SIZE	
		10109443	
		DOCUMENT TYPE: Sales	
		B	
		SHEET 1 OF 1	
		A	

REV: PE0200