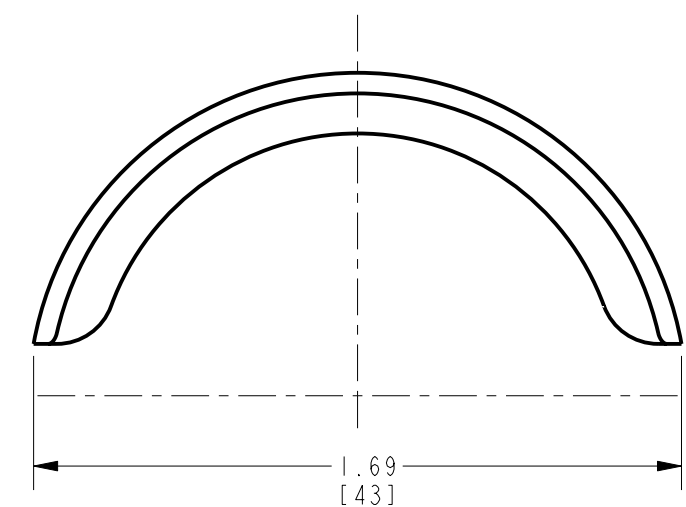
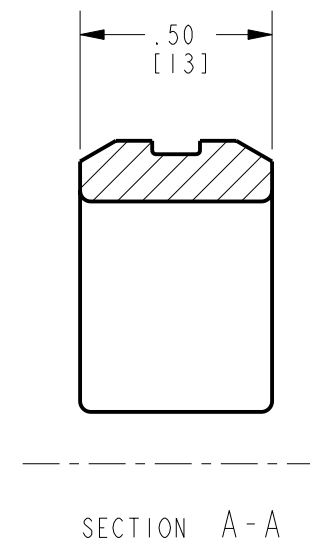
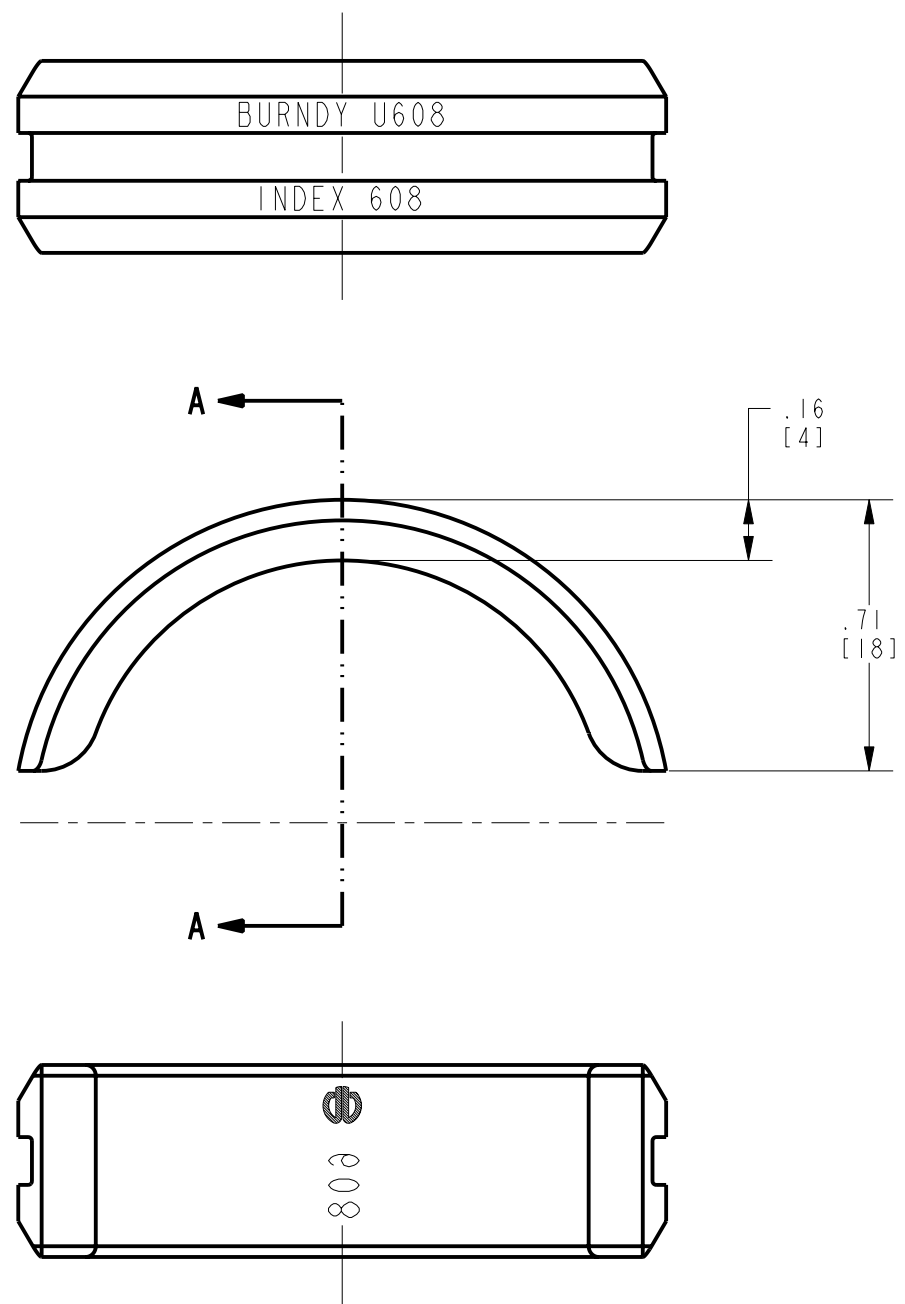


REV.	DATE	DESCRIPTION	ECO	BY	C'H'K.
A	11/17/2009 4:00:00 PM	INDIVIDUAL SALES DRAWING RELEASED	19517	RM	JG



NOTES:

1. DIMENSIONS IN [] BRACKETS ARE IN MILLIMETERS, ROUNDED OFF TO THE NEAREST MILLIMETER, UNLESS OTHERWISE NOTED. METRIC DIMENSIONS ARE FOR REFERENCE ONLY.
2. DIE INSPECTION GAGE CATALOG NUMBER (CUSTOMER & ENGINEERING ONLY): N/A
3. MATERIAL: STAINLESS STEEL

TO ORDER BURNDY® PRODUCTS CALL		RADIAL NON-BUTTING TWIN DIE	
UNITED STATES: 1-800-346-4175 (LONDONDERRY, NH)		ITEM NO: N/A	
CANADA: 1-800-361-6975 (QUEBEC) 1-800-387-6487 (ALL OTHER PROVINCES)		CAT. NO: U608	
FOR PRODUCT INFO: http://www.burndy.com		DRAWN BY: R. MURUGESAN 11/17/09	
		CHECKER: --	
		DSN APPVL: --	
		MFG APPVL: --	
		QA APPVL: --	
		MKT APPVL: --	
		SCALE: 2:1	
		PROD FAM: TOOLS_HYDRAULIC/U_DIE	
		PROJECT #: --	
		SIZE: B	
		DRAWING NO: 10109446	
		REV: A	
		DOCUMENT TYPE: Sales	
		REL LEVEL: Released	
		SHEET 1 OF 1	

REV: PE0200