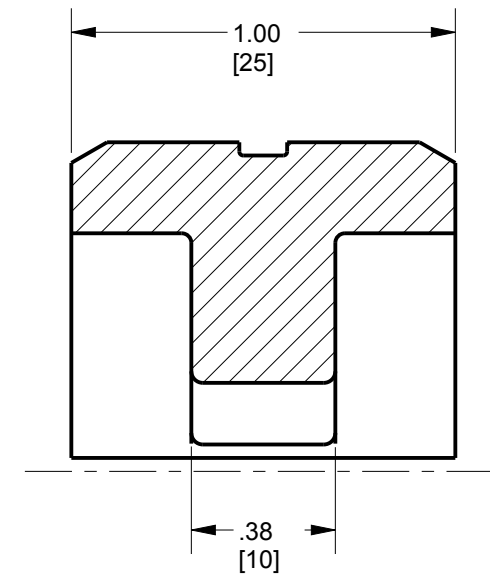
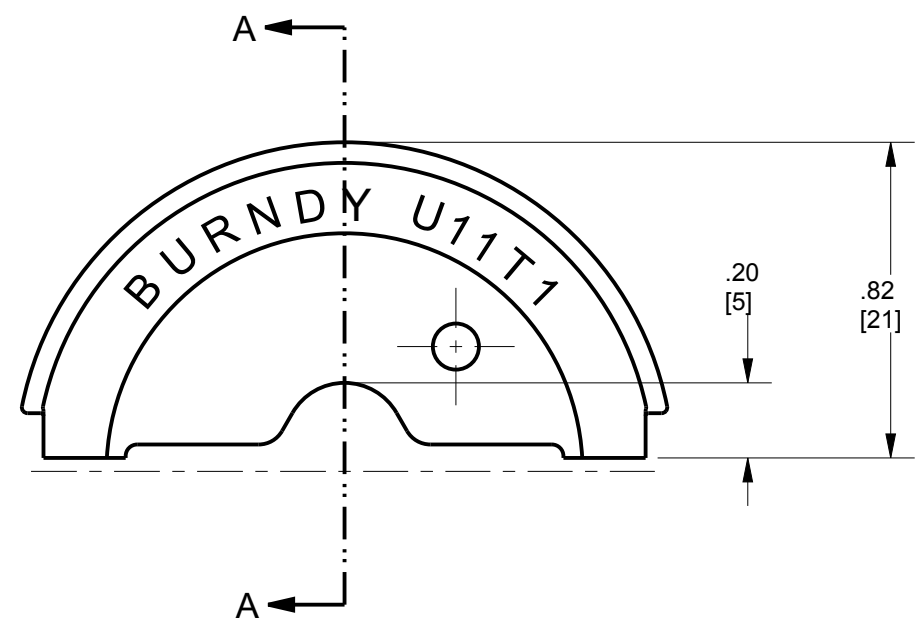
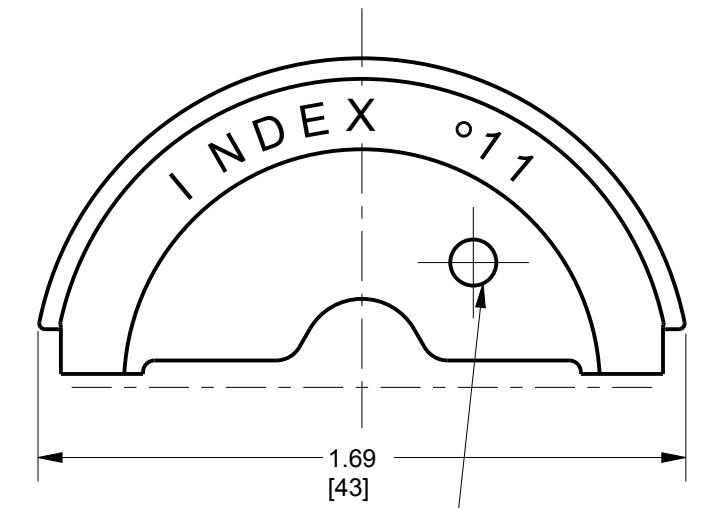


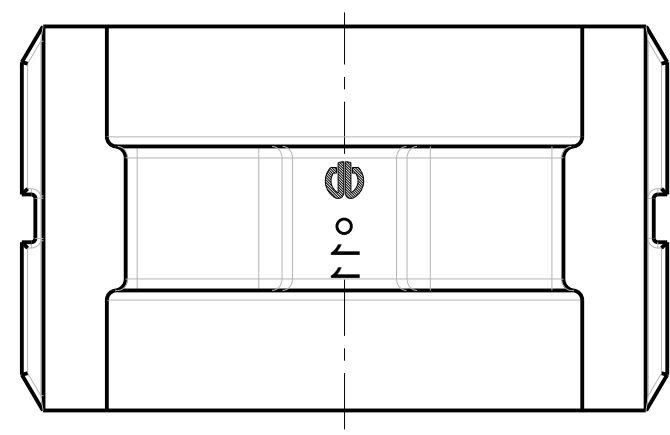
| REV. | DATE | DESCRIPTION | ECO | BY | CHK. |
|------|------------------------|--|-------|----|------|
| B | 06/05/2014 21:00:00 PM | ADD NOTE 'GREEN COLOR DOT (BOTH SIDES) PER MU. | 36383 | RB | PW |



SECTION A-A



GREEN COLOR DOT
(BOTH SIDES)



NOTES:

1. DIMENSIONS IN [] BRACKETS ARE IN MILLIMETERS, ROUNDED OFF TO THE NEAREST MILLIMETER, UNLESS OTHERWISE NOTED. METRIC DIMENSIONS ARE FOR REFERENCE ONLY.
2. DIE INSPECTION GAGE CATALOG NUMBER (CUSTOMER & ENGINEERING ONLY): UPG11B
3. MATERIAL: STAINLESS STEEL

TO ORDER BURNDY® PRODUCTS CALL
 UNITED STATES:
 1-800-346-4175 (LONDONDERRY, NH)
 CANADA:
 1-800-361-6975 (QUEBEC)
 1-800-387-6487 (ALL OTHER PROVINCES)
 FOR PRODUCT INFO: <http://www.burndy.com>

| CIRCULAR BUTTING TWIN DIE | | | |
|---------------------------|-----------------------|------------|--------------|
| ITEM NO: | N/A | | |
| CAT. NO: | U11T1 | | |
| DRAWN BY: | R. MURUGESAN | 11/18/09 | |
| CHECKER: | -- | -- | |
| DSN APPVL: | -- | -- | |
| MFG APPVL: | -- | -- | |
| QA APPVL: | -- | -- | |
| MKT APPVL: | -- | -- | |
| PROD FAM: | TOOLS HYDRAULIC/U DIE | DRAWING NO | REV |
| PROJECT #: | -- | SIZE | 10109451 |
| DOCUMENT TYPE: | Sales | REL LEVEL: | B |
| | | | SHEET 1 OF 1 |



REV: PE0200